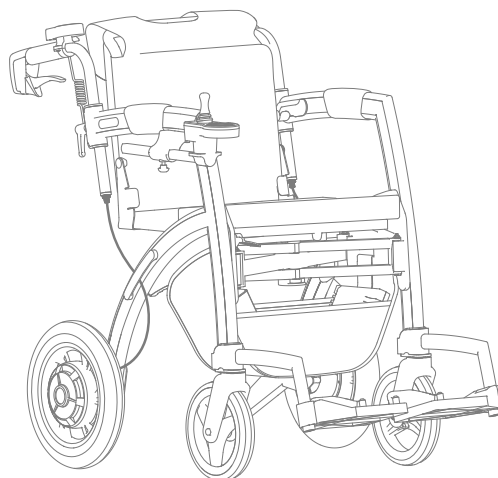


# rollz®

## Rollz Motion Electric

**EN - User manual**  
**NL - Gebruikshandleiding**  
**DE - Bedienungsanleitung**  
**FR - Manuel d'utilisation**



**CE**





EN - User manual	5
NL - Gebruikshandleiding	61
DE - Bedienungsanleitung	119
FR - Manuel d'utilisation	177

For manuals in other languages,  
please check **[www.rollz.com](http://www.rollz.com)**.

Contact details of distributors per country. Check [www.rollz.com](http://www.rollz.com) for the complete list.

Belgium & France  
Mobio  
003293287723  
[www.mobio.be](http://www.mobio.be) & [www.mobio.fr](http://www.mobio.fr)

Germany & Austria  
Saljol  
+49(0)8141317740  
[www.saljol.de](http://www.saljol.de)

Switzerland  
PROMEFA AG  
+41448729779  
[www.promefa.ch](http://www.promefa.ch)

The Netherlands  
Rollz International BV  
+31 20 362 2010  
[www.rollz.nl](http://www.rollz.nl)

## USER MANUAL

The rollator and electric wheelchair in one

rollz motion electric

EN

## Rollz® International BV – Rollz Motion Electric

© Copyright 2023 Rollz® International BV

This is the original user manual of the Rollz Motion Electric. This user manual is based on the information available at the time it was created. It is possible that the information in this document will be changed. The purchased product can be slightly different to the one described in this user manual.

You can download the most recent manual at [www.rollz.com](http://www.rollz.com). To keep you updated on the newest information, we revise [www.rollz.com](http://www.rollz.com) regularly.

Rollz® International BV cannot be held responsible for technical errors or imperfections in this manual.

### CE conformity

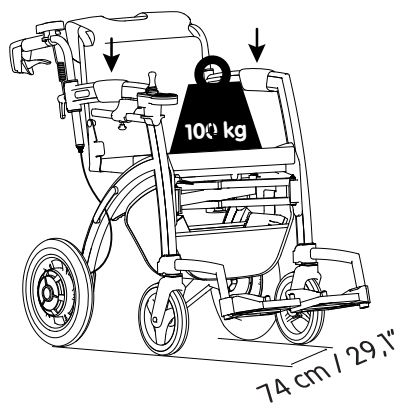
The product fulfills the requirements of the EU-Directive 93/42 EEC for medical devices. Based on the classification rules set out in Attachment IX of this directive, the product is classified into class I. The declaration of conformity has been done under the own responsibility of Rollz® International BV based on the Attachment VII of this directive.

### International standards

The Rollz Motion Electric is certified as a rollator according to ISO standard 11199-2:2005. The Rollz Motion Electric is also certified as a wheelchair in accordance with ISO standard 7176-8: 2014 (Cor. 2015-09). The Rollz Motion Electric is certified as a class A electric wheelchair in accordance with ISO 12184:2014.

**rollz motion  
electric**

Max 100 kg / 220 lb



**Figure 1: Rollz Motion Electric width and max load.**

## CONTENTS

<b>Before you start</b>	<b>10</b>
Important information	10
Safety instructions	11
Warnings	12
Unsuitable circumstances	13
Electromagnetic interference	14
Who may benefit from this product	14
Who should not use the Rollz Motion Electric (contraindication)	15
Reuse	15
<b>Unpacking</b>	<b>16</b>
Check if your delivery is complete	16
Attaching the push support	16
Attaching the joystick controller	17
Attaching the 3-in-1 holder	17
Charging the Rollz Motion Electric	18
Warnings	19
Recycling packaging material	19
<b>Use as rollator</b>	<b>20</b>
What fits where?	20
Unfolding & folding	21
Transport	22
Adjusting the height for correct posture	23
Walking with the Rollz Motion Electric - as a rollator	25
Operating the brakes	26
Resting on the Rollz Motion Electric	27
Using the bag	27
Going over thresholds and curbs	27
<b>From rollator to electric wheelchair</b>	<b>28</b>
What fits where on the Rollz Motion Electric	29
Attaching the Rollz wheelchair package	30
Using the Rollz wheelchair package	31
Setting the footrests (once only)	33
Setting the backrest (once only)	35

Putting down the wheelchair package	35
Removing the wheelchair package	36
Safety instructions	36
<b>Using as electric wheelchair - with a person pushing</b>	<b>37</b>
Matching your pace	37
Use of the electric support system - with a person pushing	37
Power assist modes	38
Constant power assist	38
Auto-power assist	38
Anti-fall	38
Going up a curb	39
Getting off the pavement safely	39
Slopes	40
<b>Use of the joystick- while sitting in the electric wheelchair</b>	<b>41</b>
Horn	41
Reversing	42
Going up a curb	42
Getting off the pavement safely	42
Slopes	43
Transfers (getting in or out of the wheelchair)	43
Seating position	43
<b>Specifications for Rollz Motion Electric</b>	<b>44</b>
Product specifications	44
Information about the material	44
Product measurements	45
Ergonomics dimensions	47
Technical details	47
<b>Error codes and solutions</b>	<b>48</b>
Error code listing	48
<b>Accessories</b>	<b>49</b>
<b>Maintenance</b>	<b>49</b>

Cleaning/disinfecting	49
Disconnecting the battery	50
Reconnecting the battery	51
Storing the Rollz Motion Electric	52
Battery maintenance (Daily)	52
Cables and connections (Weekly)	52
Motors (Every month)	53
Push support controller and joystick controller (Every 3 months)	53
Washing the seat cover	53
Brake performance (Daily)	54
Adjusting the brakes	54
Brake adjustments at the top of the brake cable	54
Brake adjustments at the bottom of the brake cable	55
Inflating the pneumatic tires (approximately every month)	56
Flat tires	57
Replacement of parts	57
<b>Warranty</b>	<b>57</b>
Warranty provisions	57
Register your Rollz Motion Electric	58
<b>Contact</b>	<b>59</b>

## BEFORE YOU START

Congratulations on your new Rollz Motion Electric. Rollz International BV has created this manual so you will use your rollator and electric wheelchair in one in the safest and most convenient way. If you are uncertain about the warnings or instructions mentioned in this manual, please contact your supplier for clarification.

We hope you will enjoy the use of your Rollz Motion Electric.

### Important information

- Read these directions carefully before you start using the product and keep them for future reference.
- This manual is written for the Rollz Motion Electric (introduced in 2022).
- Do not risk your safety and the safety of others around you by using the product incorrectly.
- In this manual we speak about the electric support system, this system contains the joystick controlled electrical support and the push support, which control the motors in the wheels.
- Colours of the Rollz Motion Electric parts may slightly fade when exposed to sunlight.
- Do not expose the product to temperatures below -5 °C / 23 °F and higher than 45 °C / 113 °F as this may cause damage to some components and affect their performance.
- The Rollz Motion Electric contains electronic components. For this reason, avoid getting the rollator wet. Do not use it outside in heavy rain.
- Only use the supplied charger to charge the Rollz Motion Electric.
- Use original Rollz accessories only. The use of non-approved accessories can be unsafe and will void the warranty.
- Use only original Rollz International BV approved parts for repairs or replacements made by an authorized dealer. Use of any other parts can be unsafe and will void the warranty.
- Damage due to overloading the product or incorrect folding and unfolding does not only void the warranty but also creates unsafe situations. You will find the warranty provisions in this manual.



- The serial and article numbers of your Rollz Motion Electric can be found on the product sticker, which is located on the seat (under the cushion).
- Any serious incident related to the device must be reported to the manufacturer and the competent authority of your country/state.
- It is important to register your product at Rollz International on [www.rollz.com](http://www.rollz.com).
- Please follow the rules that apply in your country regarding the use of electric wheelchairs.



### Safety instructions

	<p>Read and follow the instructions in this manual.</p>
	<p>Flammable materials: avoid contact with open flames or sparks. Prevent the battery from coming into contact with flammable materials.</p>

- The Rollz Motion Electric is meant to be used for supporting/transporting one person at a time.
- Always use the handles in the right position. Read the chapter **Adjusting the height for correct posture** for more details.
- Check and/or adjust the brakes regularly to prevent loss of braking power. Check the brakes regularly to make sure that you have adequate braking power. See how to do that in the chapter **Adjusting the brakes**.
- Check if all the power supplies are connected and the electrical components, including the battery, are not damaged before using the Rollz Motion Electric for the first time. Damaged or improperly connected parts may cause danger or unsafe situations. For more information about this, read the chapter **Cables and connections (Weekly)**.
- Joystick controlled electrical support is not necessarily capable of negotiating outdoor obstacles.
- While seated in the Rollz Motion Electric and using the joystick controlled electrical support always have the handlebars in rollator position, with the handlebars above the frame, so you can reach the handbrakes in case of emergency.
- Electrical support given by the push support controller might be used outside on surfaces that are considered safe in this manual.

- When seated in the wheelchair, while using the Rollz Motion Electric with joystick controlled electrical support, only go up or down (banked) slopes of max. 3° / 5.25%.
- When walking with the Rollz Motion Electric, only walk down on 15° / 26.8% slopes, walk up on 7° / 12.3% slopes and walk on banking slopes not higher than 3.5° / 6.1%.
- Check the capacity of the battery pack regularly by viewing the screen at the joystick or push support to see if it needs to be recharged.
- Keep tools and other metal objects away from the battery pack. Contact with the positive and negative poles can cause a short circuit or a shock.
- Make sure you are familiar with the functionalities of the Rollz Motion Electric before using it.
- Make sure that the Rollz Motion Electric is turned off when not in use.
- Store the Rollz Motion Electric in a clean and dry environment and avoid exposing it to high and rapidly changing temperatures. When not in use for a longer period of time, make sure the battery is charged before using it again.
- This product should be kept away from acid, alkali and other chemical corrosive items.



## Warnings

- The Rollz Motion Electric is certified as a Class A wheelchair, which means that outdoor use while seated in the Rollz Motion Electric with joystick controlled electrical support is limited to: maximum safe slope of 3° / 5.25%, maximum obstacle height of 15 mm / 0.6 inch and maximum ground unevenness of 10 mm / 0.4 inch. Exceeding these limits can lead to dangerous situations. Safe outdoor use can only be guaranteed in areas where these conditions are respected.
- It is essential the user has the physical and mental ability to independently perform all the operations in this manual. If not, they should always have someone to assist them.
- Do not use the Rollz Motion Electric if any part has been damaged, broken, missing or cracked, or if the displays show an error code, for solutions of these error codes, see chapter ***Error codes and solutions***.

- Make sure all components are locked in their place before use.
- Keep the Rollz Motion Electric away from open flames and other heat sources, such as cigarettes and electrical or gas heaters.
- The user cannot remain seated in the Rollz Motion Electric wheelchair during transport in a taxi, bus, car or other motor vehicles. It is not meant for this type of usage.
- The width of the wheelchair is greater than what is recommended for Class A wheelchairs. Access to emergency escape routes might be limited.
- When using the joystick controlled electrical support or the push support of the Rollz Motion Electric, the continuous driving range is 15 kilometres / 9.3 miles. The driving range will decrease when the Rollz Motion Electric is used on slopes, rough terrain or when used to climb kerbs. User weight, terrain, battery status and driving behaviour can also affect the range.
- The Rollz Motion Electric was not intended for use on the beach.
- We advise using the seatbelt accessory while you are seated in the Rollz Motion Electric.

### **Unsuitable circumstances**

- To board a plane, the battery on the Rollz Motion Electric must be removed. The battery can't be transported in a plane.
- The Rollz Motion Electric is not suitable for climbing stairs and walking on rough terrain such as gravel, grass, sand, mud or forest soil.
- Do not use the escalator while seated on your Rollz Motion Electric.
- Do not use or park your Rollz Motion Electric in the rain, snow or other wet conditions.
- Do not use your Rollz Motion Electric while showering.
- Do not use your Rollz Motion Electric on roads where salt is used.
- Do not use your Rollz Motion Electric too close to water (e.g. ditch, pond, river, lake or sea).
- Do not use the Rollz Motion Electric on a surface with snow, ice, water or oil.
- If you however do find yourself with the Rollz Motion Electric on a wet slippery surface, please proceed with caution and if you notice that one of the driving

wheels is losing traction, you should stop the Rollz Motion Electric immediately to prevent loss of control.

- Do not expose the Rollz Motion Electric to temperatures colder than -5 °C / 23 °F and higher than 45 °C / 113 °F.
- Surface temperatures of the product can increase / decrease when exposed to external sources of heat or cold.
- Not all parts of the Rollz Motion Electric are 100% waterproof. A very humid environment may cause rust and corrosion on or inside your Rollz Motion Electric. When you are in an excessively humid environment, you should immediately cover the Rollz Motion Electric to prevent damage.

### **Electromagnetic interference**

Interference with electronic sources can cause situations in which the Rollz Motion Electric does not respond as usual. Electrical sources such as broadcasting masts, radio stations, television stations and mobile phones can create a magnetic field that may cause permanent damage to the electric system and/or braking capabilities.

The user should observe the following:

- Do not use wireless communication devices while using the electric support system.
- Stay away from radio sources.
- Turn off the Rollz Motion Electric immediately if you notice uncontrolled movements.

The Rollz Motion Electric might interfere with other devices in the area that emit electromagnetic fields (alarm systems, automatic doors, etc.).

### **Who may benefit from this product**

The Rollz Motion Electric fits people weighing up to 100 kg / 220 lbs. / 15 st 10.5 lb, who are 160-190 cm / 5 ft 3" to 6 ft 3" tall (see **Product Specifications**).

The Rollz Motion Electric serves as walking support for people with reduced mobility, mainly indoors (joystick controlled and push attendant controlled) but also outdoors (push attendant controlled and joystick controlled, with limitations as mentioned in this manual). The Rollz Motion Electric is suitable for walking, driving and pushing on hard, flat surfaces. While in rollator position, the user can rest on the seat.

The wheelchair package offers the possibility to transform the rollator into an electric wheelchair easily. The user can sit in the electric wheelchair and use the electric support system, whilst being pushed and having the push support turned on, or by transporting themselves by using the joystick controller.

### **Who should not use the Rollz Motion Electric (contraindication)**

The Rollz Motion Electric is not suitable for people:

- With perception disorders which make it difficult to see obstacles ahead.
- With severe balance disorders that prevent them to walk with a rollator.
- Who get disorientated or dizzy while walking or sitting.
- Who can only remain standing for less than five minutes behind a walker;
- With seating problems, which make it difficult to sit comfortable on the seat or in the electric wheelchair.
- People who have an impaired hand function.
- With a weight higher than 100 kg / 220 lbs.

### **Reuse**

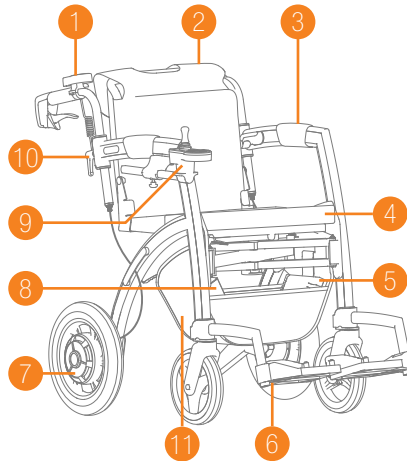
- The Rollz Motion Electric is suitable for reuse.
- For safe reuse, pass all technical documentation on to the new user. The newest version of the manual can be found on [www.rollz.com](http://www.rollz.com).
- When lending your Rollz Motion Electric, make sure the user reads the manual before using the product.
- Before passing the Rollz Motion Electric on to a new user, it should be cleaned, disinfected and checked by the dealer for damage to make sure the Rollz Motion Electric can be safely used.

## UNPACKING

### Check if your delivery is complete

The Rollz Motion Electric comes packed. Check if all the parts listed below have been supplied according to **(Figure 2)**:

1. Push support controller
2. Wheelchair package
3. Armrests (x2)
4. Seat cushion
5. Motor controller
6. Adjustable footrests (x2) with Allen key
7. Rear wheel motor assembly (x2)
8. Li-ion battery pack
9. Joystick controller
10. Adjustment handles
11. Underseat basket
12. 3-in-1 holder
13. Pump for the pneumatic tires



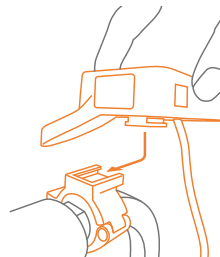
**Figure 2: Overview of the components of the Rollz Motion Electric.**

### Attaching the push support and joystick controller

Before you can use the Rollz Motion Electric, the two controllers need to be attached. Without properly attached controllers, the Rollz Motion Electric might behave unexpectedly and in an unsafe manner.

#### Attaching the push support

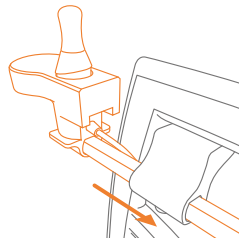
- a. Attach the push support controller **(Figure 3)**. A click can be heard when the correct position is reached.



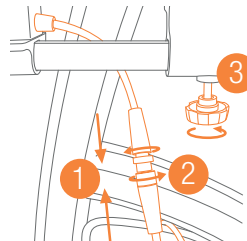
**Figure 3: Attach the push support controller.**

## Attaching the joystick controller

- a. Make sure the cable of the joystick controller is disconnected before attaching it. Disconnect by loosening the metal rings. Slide the disconnected joystick controller through the hole in the holder. Make sure that the cable runs between the frame and the controller as shown in **(Figure 4)**.
- b. Reconnect the cable, and tighten the controller by rotating the knob **(Figure 5)**.



**Figure 4:** Slide the joystick controller into the holder.



**Figure 5:** Connect (1&2) and tighten (3) the controller.

## Attaching the 3-in-1 holder

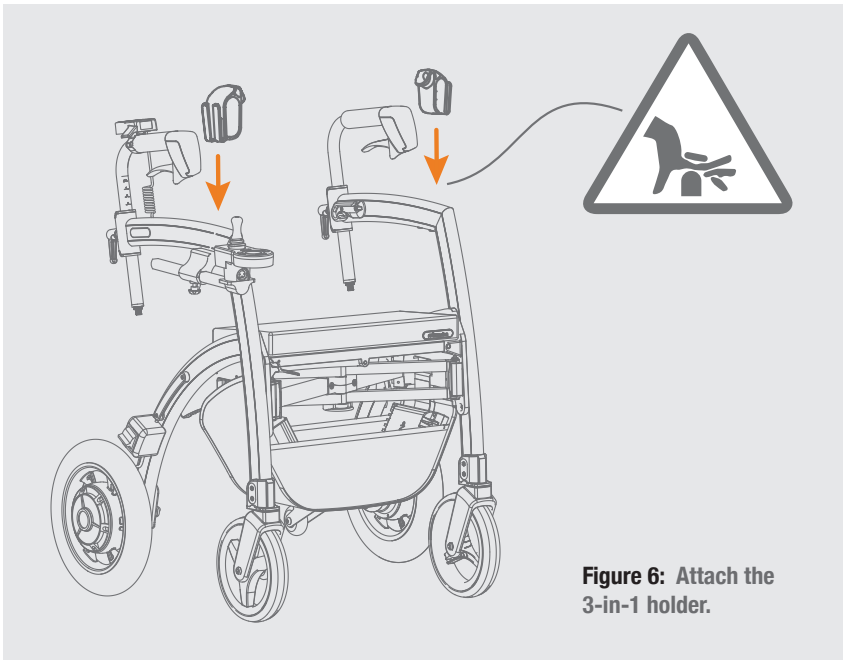
The 3-in-1 holder can be put in place without any tools:

- a. Slide the armrests as far back as possible, the two holder should be placed in front of the armrests, with the shopping hooks facing outside, as seen on **Figure 6**.
- b. Attach the holders by pressing it down onto the frame **(Figure 6)**.
- c. The 3-in-1 holder can hold the wheelchair package (above the seat), a cane and a shopping bag at the same time.
- d. Follow the instructions on the manual that comes with the 3-in-1 holder to see how to place the wheelchair package, the cane and the bags into the holders.
- e. The Rollz Motion Electric can also be used without the 3-in-1 holder.



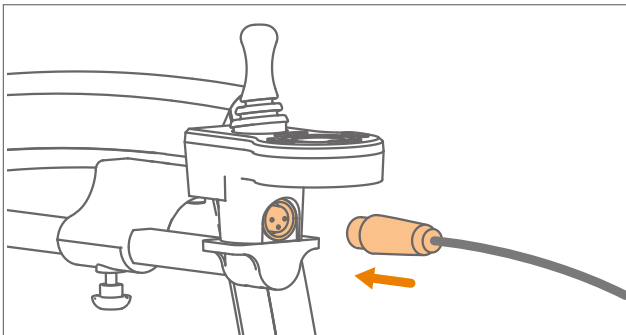
### NOTE

Do not place more than 2.5 kg / 5.5 lb in each bag and do not overload it.



### Charging the Rollz Motion Electric

The battery is charged via the charging port under the joystick controller (**Figure 7**). Plug the connector of the delivered charger into the charging port. Plug the charger into a wall socket. The Rollz Motion Electric is charging when the indicator light on the charging adapter turns red. The battery is completely charged when the indicator light turns green. Charging will take 4-5 hours.



**Figure 7: Plug the connector into the charging port.**





## Warnings

- Do not use metal objects or tools to connect the battery to the charger.
- When the battery is being charged, do not move the Rollz Motion Electric.
- Do not use unapproved parts on the Rollz Motion Electric (such as motor and charger).
- Do not pinch or twist the charger cord.
- Smoking and flames near a charging battery are prohibited.
- Keep the charger away from children and pets.
- When a fault occurs in the electronic circuit, inform your supplier as soon as possible.
- Place the battery and charger in an open space during charging. Put no objects on the charger, battery or cord. Do not place near heat sources during charging.
- Do not use the battery and charger in temperatures below -5 °C / 23 °F and above 45 °C / 113 °F.
- Keep tools and other metal objects away from the battery. Contact with metal objects can cause shock and short circuit.
- Keep the battery away from flammable materials. Avoid exposure to open flames and sparks.
- There are corrosive substances in the battery. Never open the battery.

## Recycling Packaging Material

All the packaging material can be recycled. The cardboard boxes can be recycled with paper. The protective foam blocks are made of plastic. These and the plastic bags can be recycled with plastic.

*TIP:* Keeping your box will assist with sending your Rollz Motion Electric via post.



## WARNING

Keep the plastic packaging materials away from children due to the risk of suffocation.

## USE AS ROLLATOR

The Rollz Motion Electric is delivered complete for use. You only have to attach the push support and joystick controller (see **Attaching the push support and joystick controller**) and adjust the handles to the correct height. Please note that you shouldn't use the Rollz Motion Electric as a rollator with the electric support turned on.

Read all points carefully before using the Rollz Motion Electric rollator:

- What fits where?
- Unfolding & folding
- Transport
- Adjusting the height for the correct posture
- Walking with the Rollz Motion Electric - as a rollator
- Operating the brakes
- Resting on the Rollz Motion Electric
- Using the bag
- Going over thresholds and curbs

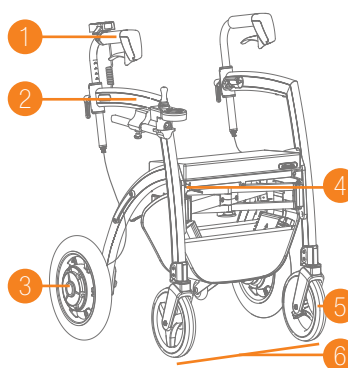
### What fits where?

**(Figure 8):**

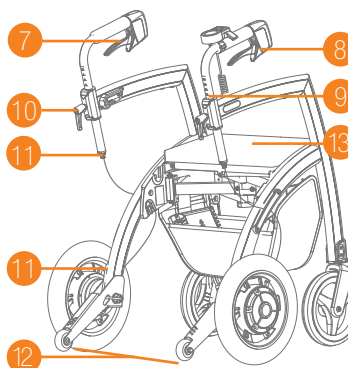
1. Handles
2. Frame
3. Rear wheels with drum brakes
4. Red release handle for folding up the rollator
5. Front wheels
6. Front

**(Figure 9):**

7. Handbrakes
8. Parking brake levers
9. Height indexation
10. Adjustment handles
11. Adjusting screws for adjusting the brakes
12. Tipping aid
13. Seat cushion



**Figure 8: What fits where.**



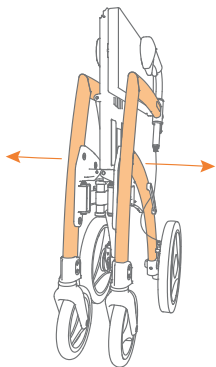
**Figure 9: What fits where.**

## Unfolding & folding

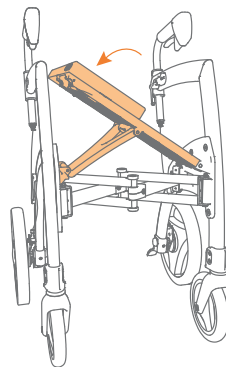
When folded, the Rollz Motion Electric fits in most cars.

Unfolding goes as follows:

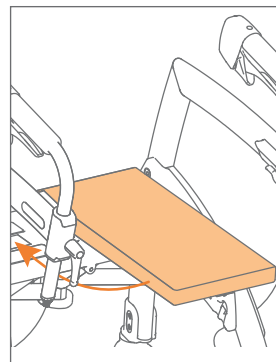
- a. Pull the frame sides of the Rollz Motion Electric apart until almost completely unfolded (**Figure 10**).
- b. Push the seat down until it clicks into place. Important: the seat is not secured until you have clearly heard it 'click' (**Figure 11**).
- c. Pull away the seat cushion and place it straight on the seat (**Figure 12**).



**Figure 10:** Unfold by pulling the frame outwards.



**Figure 11:** Push the seat down till you hear a 'click'.



**Figure 12:** Pull away the cushion and attach it on the seat.



### CAUTION

Double check if the seat is locked in. Carefully lift the seat in the middle to make sure that it is properly locked in place. Only then the Rollz Motion Electric can be safely used.

Folding goes as follows:

- a. Before you fold the frame, the underseat basket should be emptied, cables, battery pack and motor controller must stay in the underseat basket.
- b. Remove the wheelchair package if it is placed on the rollator. Read **Removing the wheelchair package** for instructions.
- c. Pull the seat cushion away, turn it 90 degrees and place it crosswise on the side of the red handle (**Figure 13**).

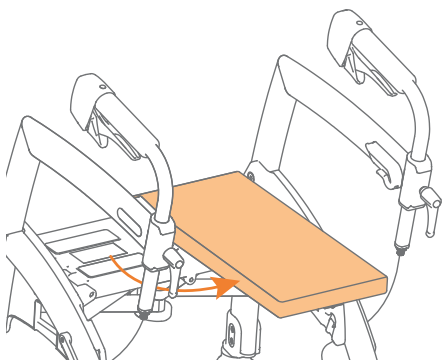
- d. Push the red release handle under the seat (**Figure 14**) and lift the seat partially (**Figure 15**).
- e. Push the sides of the frame towards each other until the rollator is completely folded (**Figure 16**).

**NOTE**

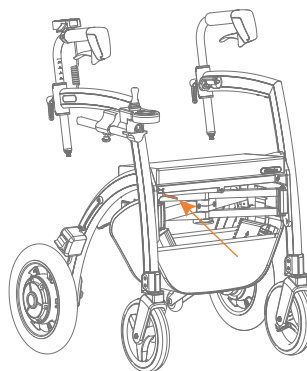
When you fold the frame, the underseat basket should only contain the cables, battery pack and motor controller, and the wheelchair package should be detached.

**Transport**

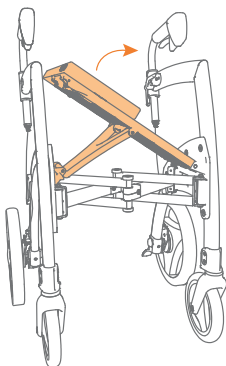
It's mandatory to switch off your Rollz Motion Electric during transport and it is strongly recommended that you apply the parking brake.



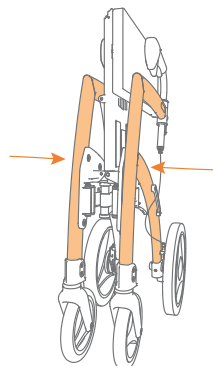
**Figure 13:** Place the seat cushion crosswise.



**Figure 14:** Push the red handle while lifting the seat.

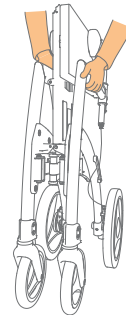


**Figure 15:** Lift the seat partially.



**Figure 16:** Push the frame further inside.

During transport, make sure that your Rollz Motion Electric is placed in the designated storage space, such as the trunk. Make sure that the Rollz Motion Electric rests securely during transport and cannot move freely. This prevents any damage to you or your Rollz Motion Electric. Also be sure to disconnect and transport the joystick and push controller separately.



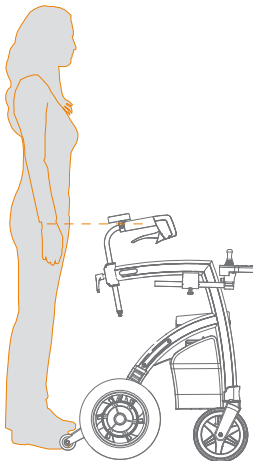
**Figure 17: How to lift the Rollz Motion Electric.**

Only lift the Rollz Motion Electric by frame parts as shown in **Figure 17**.

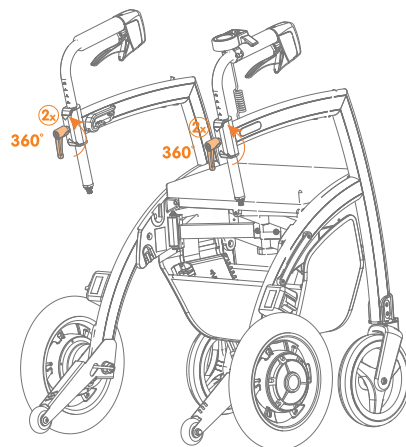
### Adjusting the height for correct posture

Setting the correct height (**Figure 18**) is crucial for an optimal use of the Rollz Motion Electric. The height can be adjusted in between the minimum and maximum positions. This way the Rollz Motion Electric can easily be adapted to individual needs.

- a. To determine the correct height, stand between the Rollz Motion Electric handles with your arms hanging near the body. The handles should be at the height of your wrists (**Figure 18**).
- b. Loosen the adjustment handles anticlockwise (**Figure 19**) and (**Figure 20**).
- c. Slide the handles to the correct height (**Figure 21**).



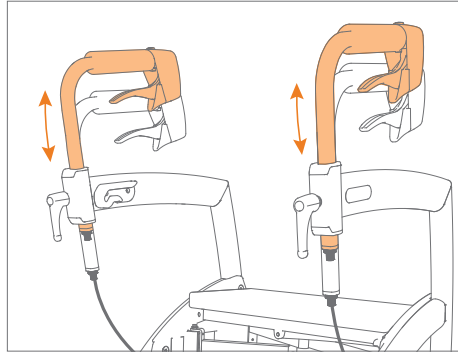
**Figure 18: Determine the correct height.**



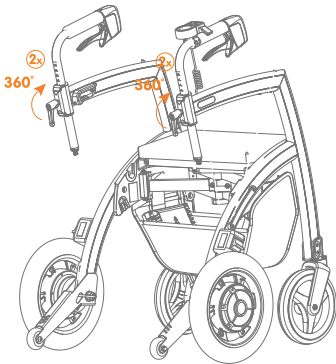
**Figure 19: Loosen the adjustment handles.**



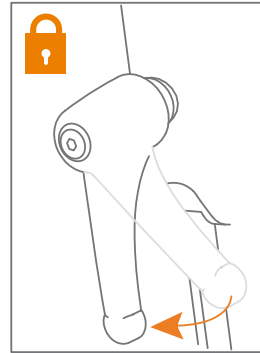
**Figure 20: Rotate anticlockwise.**



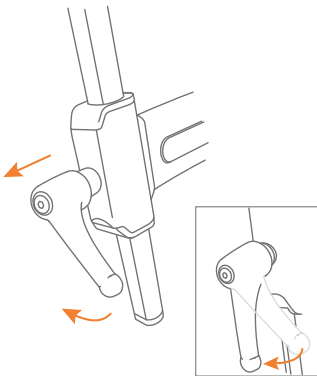
**Figure 21: Set the correct height.**



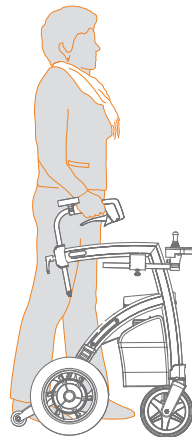
**Figure 22: Tighten the adjustment handles.**



**Figure 23: Tighten.**



**Figure 24: Set the adjustment handle in the right position.**



**Figure 25: Walk upright close to the rollator.**

- d. Check whether both handles are at the same height using the height indexation.
- e. Make sure the handles are positioned in a straight line above the frame of the Rollz Motion Electric, pointing forward.
- f. Turn the adjustment handles clockwise to tighten them (**Figure 22**) and (**Figure 23**).
- g. Place the adjustment handles vertically so that they point straight down. You do this by gently pulling the adjustment handle outwards and turning it to the correct position (**Figure 24**).



#### CAUTION

Always set both handles at the same height to maintain stability. When height is incorrectly set, this may cause imbalance that may increase the risk of injury. When the rollator is not adjusted to the correct height, it can lead to neck or back pain.

### Walking with the Rollz Motion Electric - as a rollator

Thanks to the ergonomic design, you can walk upright, stable and comfortable with the Rollz Motion Electric.

- a. First make sure the handles are adjusted to the correct height. See above in **Adjusting the height for correct posture**.
- b. Stand in between the handles while walking. This way you walk as close as possible to the walker, which offers the most support (**Figure 25**). You could lean on the Rollz Motion Electric if necessary.
- c. Try to keep your arms and hands as relaxed as possible, this prevents too much tension on body parts.
- d. Keep an eye on your surroundings. Do not focus your eyes downwards, but forwards, which also improves the balance.



#### CAUTION

While you walk with the rollator, keep looking in front of you to determine a safe route.



#### WARNING

Prevent yourself from driving one or all the wheels into a hole or uneven terrain. The rollator could tilt diagonally and you might fall. The rollator could get damaged as well.

## Operating the brakes

The Rollz Motion Electric has advanced drum brakes that work in all weather conditions. The brakes are easy to operate and can provide varied braking power. The harder you squeeze the brake handles, the more you brake. The brakes can be locked when you park the Rollz Motion Electric so that it does not roll away. Test the braking power regularly, especially before the first use, to experience how they work.

- a. While walking, keep the fingers loosely around the foam handgrips (**Figure 26**). You can also keep them around the brake handles, with your thumb on the inside of the handle.
- b. Squeeze the brake handles for braking (**Figure 27**).
- c. Do you want to use the parking brake to make sure the rollator does not roll away? First squeeze the brake handles and simultaneously squeeze the parking brake levers. Then release the brakes. Your walker is now in the parking position (**Figure 28**).
- d. To remove the walker from the parking position, squeeze the brake handles again and release them (**Figure 29**). The rollator is not in parking position anymore.



### WARNING

When you walk and you squeeze the brake handles too hard, the Rollz Motion Electric can stop too quickly.

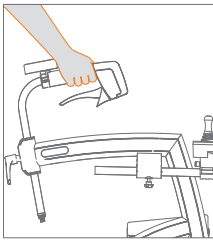


Figure 26: Driving.

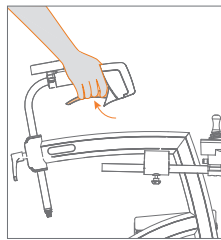


Figure 27: Braking.

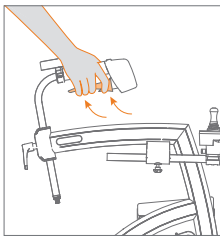


Figure 28: Apply the parking brake.

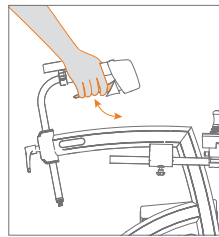


Figure 29: Release the parking brake.



## Resting on the Rollz Motion Electric

The Rollz Motion Electric rollator gives support when walking. If you want to take a break, you can also sit on it.

- a. Always apply the parking brake before attempting to sit (see **Operating the brakes**), otherwise the Rollz Motion Electric can roll away while attempting to sit on it or while sitting on it.
- b. Sit down on the rollator seat from the rear (**Figure 30**). Always ensure that the Rollz Motion Electric walker is in the parking position.

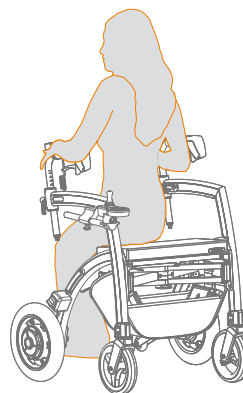


### CAUTION

Only sit and move yourself around on the Rollz Motion Electric when the wheelchair package is attached. If the wheelchair package is not attached, the walker is not suitable for moving yourself around whilst sitting. It is not designed for this purpose. You could fall while doing this, with all the associated risks.

## Using the bag

- a. You can reach into the bag under the seat from the rear of the Rollz Motion Electric.
- b. The bag can carry a maximum weight of 6 kg / 13 lbs.
- c. When the bag is empty, except for the cables, battery pack and motor controller, it can remain attached when folding the frame.



**Figure 30:** Sitting on the rollator seat.

### NOTE

Do not overload the bag.

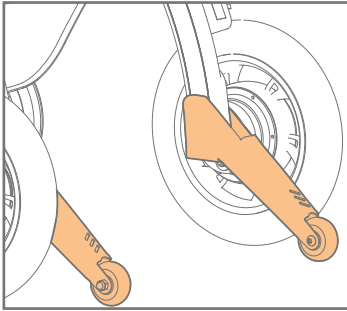
## Going over thresholds and curbs

To easily get on pavements up to a height of around 12 cm / 4.7 inch, or over thresholds, the Rollz Motion Electric has two tipping aids.

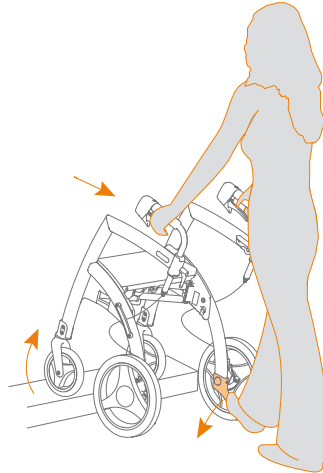
- a. Place the Rollz Motion Electric rollator with the front wheels against the threshold or curb.
- b. Push the left or right tipping aids (**Figure 31**) down with your left or right foot, while tilting the Rollz Motion Electric towards you with your hands. This way, the front wheels lift off the ground. Now push the Rollz Motion

Electric forward until you are clearly on the curb or over the threshold with the front wheels (**Figure 32**).

- c. Place the front wheels onto the sidewalk or ground.
- d. Then push the walker further forward until the rear wheels are also completely on the pavement or over the threshold.



**Figure 31:** Use the anti tipping aid.



**Figure 32:** Getting on the curb or pavement or go over a threshold.

## FROM ROLLATOR TO ELECTRIC WHEELCHAIR

The Rollz Motion Electric is delivered with the wheelchair package included. This package can be attached to the Rollz Motion Electric before departure (**Figure 33**). This allows the rollator to be transformed into an electric wheelchair on the road, in less than a minute. You only need to pull up the wheelchair package, place the footrests on the frame and turn the handles. Then you can sit in the electric wheelchair. With the electric support system you can also sit in the chair and drive yourself by using the joystick, or the person pushing the electric wheelchair can use the push support controller. The electric wheelchair can be easily turned into a walker again.



**CAUTION**

The Rollz Motion Electric wheelchair can carry a maximum weight of 100 kg or 220 lbs. This electric wheelchair is intended to be used by only one person at a time. When multiple persons are sitting on the electric wheelchair or rollator, the Rollz Motion Electric could be damaged.

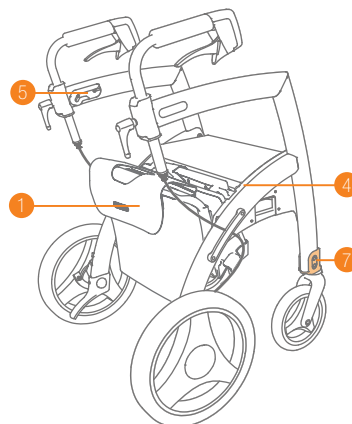


**WARNING**

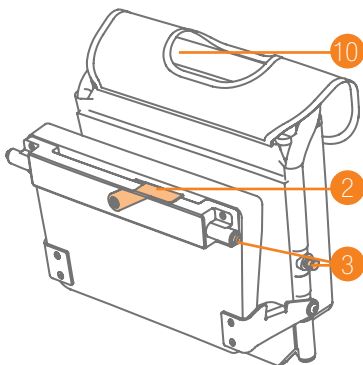
During transport in a wheelchair accessible taxi, bus, train or other vehicle, the user cannot remain seated in the Rollz Motion Electric. The electric wheelchair is not intended for this use. The Rollz Motion Electric can't be transported by plane, unless the battery is removed.

**What fits where on the Rollz Motion Electric**

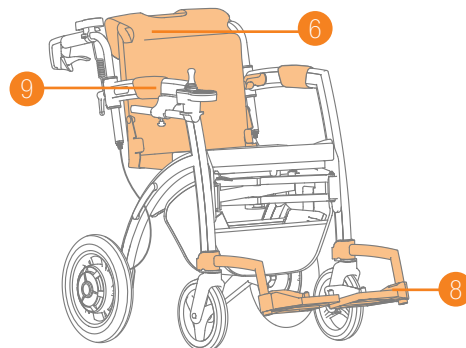
1. Wheelchair package
2. Red handle
3. Locking bolts
4. Notch behind the seat
5. Upper guide rails on the frame
6. Backrest
7. Footrest holders
8. Footrests
9. Armrests
10. Handle wheelchair package



**Figure 35: Rollz Motion Electric rollator with attached wheelchair package.**



**Figure 33: Wheelchair package.**



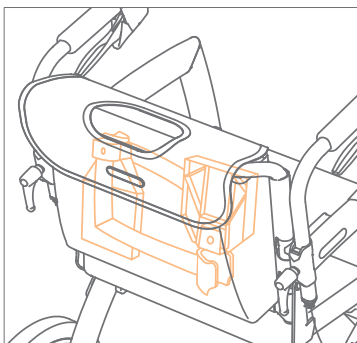
**Figure 34: Rollz Motion Electric in electric wheelchair with person pushing position.**

## Attaching the Rollz wheelchair package

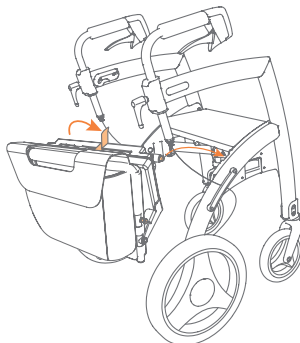
- a. Hold the Rollz wheelchair package with the bag towards you (**Figure 36**).
- b. Lift the red handle with your other hand so that the locking bolts retract.
- c. Place the Rollz wheelchair package in the two notches behind the seat (**Figure 37**) and (**Figure 38**).
- d. Push the red handle back down without force to lock the wheelchair package. The locking bolts will extend so that the package is properly secured (**Figure 39**). You can now walk with the Rollz Motion Electric as a walker, carrying along the wheelchair package.

### NOTE

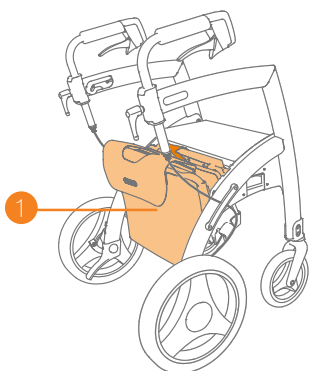
Forcing down the red handle can damage the Rollz Motion Electric.



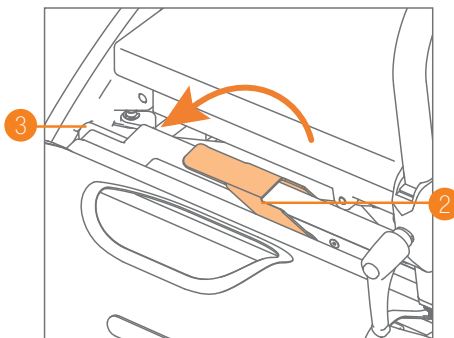
**Figure 36:** The footrests in the bag of the transport chair package.



**Figure 37:** Attaching the transport chair package.



**Figure 38:** Wheelchair package attached.



**Figure 39:** Locking the wheelchair package.

- e. If the red handle is not going down without forcing it, take the wheelchair package out of the notches behind the seat and try again. Please contact your supplier if you still have difficulties after several attempts.

### Using the Rollz wheelchair package

- a. Attach the wheelchair package to the Rollz Motion Electric before you go out **(Figure 37)**.
- b. To convert the walker to an electric wheelchair, the wheelchair package needs to be pulled up. Take the handle of the wheelchair package and pull slightly up and towards the front until halfway up the frame **(Figure 40)**.
- c. Pull the backrest further up and then back **(Figure 41)** so that the locking bolts click into the upper guide rails on the frame **(Figure 42)**. If the upper locking pins do not slide smoothly into the upper guide rails on the frame, push the backrest forward until halfway up the frame and try again.

#### NOTE

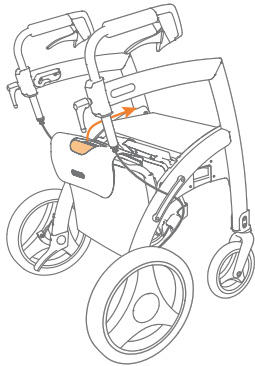
If the wheelchair package does not pull up smoothly, do not apply force. This can damage the wheelchair package. Contact your supplier if the problem remains after several attempts.

- d. Loosen the adjustment handles anticlockwise **(Figure 43)** and turn the handles around via the outside, until they are pointing towards the back **(Figure 44)**. Adjust the height for the person pushing the electric wheelchair and turn the adjustment handles clockwise to tighten **(Figure 45)**. See **Adjusting the height for correct posture**.
- e. Take the footrests out of the wheelchair bag and place them at the front of the Rollz Motion Electric, into the footrest holders on the frame. Slide them down from the top of the footrest holders **(Figure 46)**. Do not apply force if the footrests do not slide smoothly over the footrest holders. Take them out and try again.
- f. The electric wheelchair is now ready for use **(Figure 47)**.

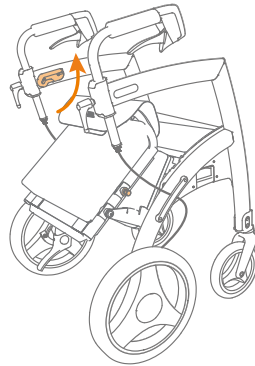


#### CAUTION

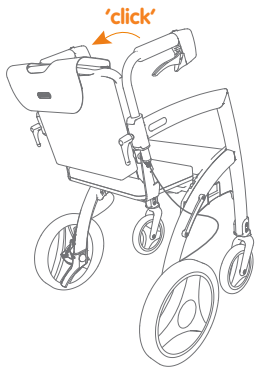
Before you sit down, always check that the locking bolts are correctly secured in the guide rails. Do not sit down if one of the locking bolts is not secured. Instead, try to place the seat again.



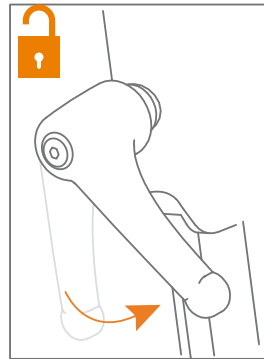
**Figure 40:** Pull the backrest upwards and forwards.



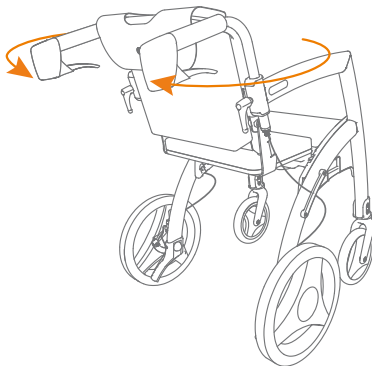
**Figure 41:** Pull the backrest further up.



**Figure 42:** Click the backrest into the guide rails.



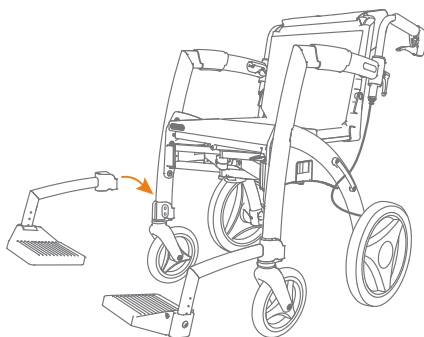
**Figure 43:** Loosen the adjustment handles.



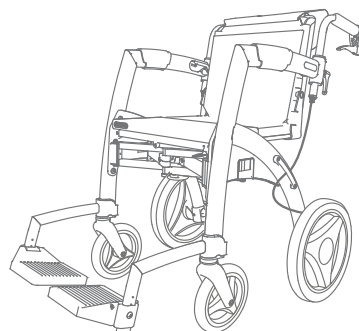
**Figure 44:** Turn handles.



**Figure 45:** Tighten the adjustment handles.



**Figure 46:** Place the footrests.

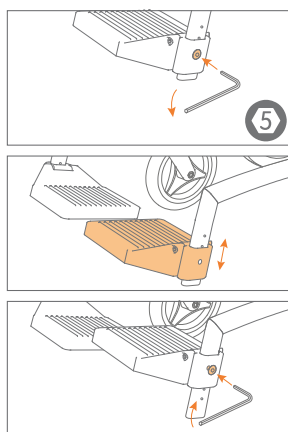


**Figure 47:** Electric wheelchair is ready to use.

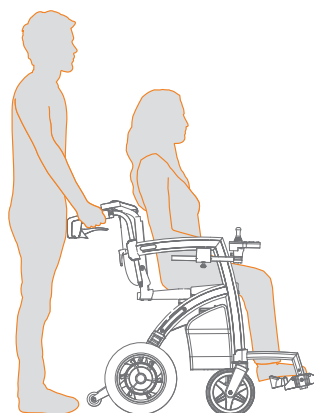
### Setting the footrests (once only)

The Rollz Motion Electric is supplied with two adjustable footrests. You can adjust them to the desired height with the supplied size 5 Allen key (**Figure 48**).

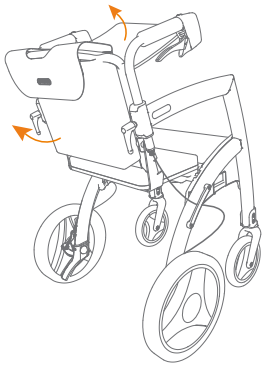
The correct height depends on the length of the lower leg and the way the user sits. If the footrests are set too high, there will be too much pressure on the buttocks. If the footrests are set too low, the pressure on the upper legs is too high. In a correct position, the user sits with his lower legs at an angle of about 90 degrees (**Figure 49**). The back of the feet can rest against the fabric.



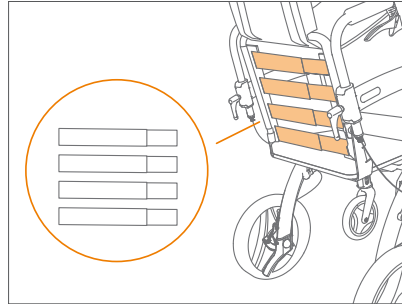
**Figure 48:** Adjusting the height of the footrests with an Allen key size 5.



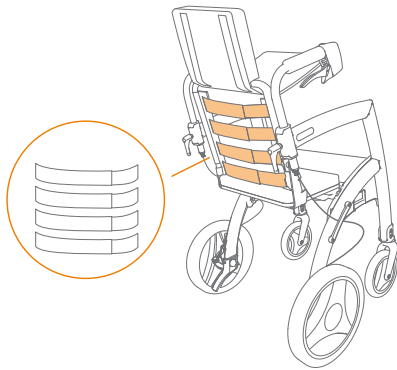
**Figure 49:** Good sitting position in the wheelchair.



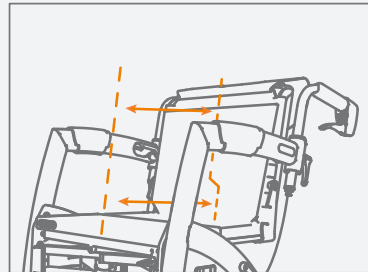
**Figure 50:** Clear adjustment straps.



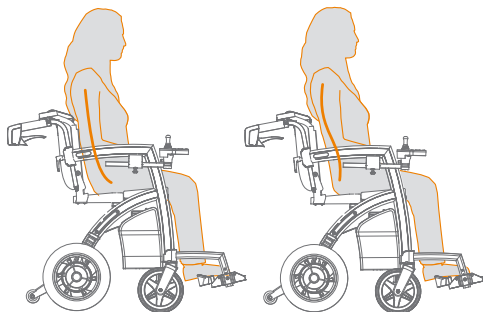
**Figure 51:** Four adjustable adjustment straps.



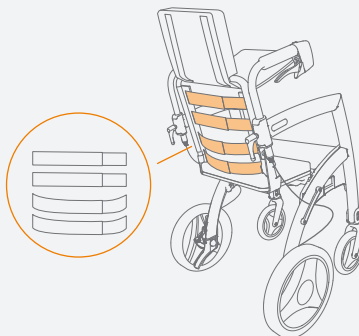
**Figure 52:** Loosen for more seat depth.



**Figure 53:** Lower two back straps loosened.



**Figure 54:** Before and after adjusting the back straps, on the right you see the correct position.





## Setting the backrest (once only)

Adjustment straps are placed in the backrest of the Rollz wheelchair package. For optimal seating comfort, it is important to adjust these adjustment straps to the user. It is only necessary to do this for the first use - or if the user has undergone major changes in weight.

- a. Turn the Rollz Motion Electric into an electric wheelchair (**Figure 47**) and remove the footrests from the wheelchair package bag.
- b. Pull up the bag of the wheelchair package and the backrest cover from the bottom (**Figure 50**). The adjustment straps are now clearly visible (**Figure 51**).
- c. Adjust the straps by pulling off the Velcro and fastening it again to the desired setting (**Figure 52**).
- d. In most cases, the lower straps will be adjusted looser than the upper two straps (**Figure 53**). Attach the Velcro so that the user's pelvis is properly upright, and the backrest supports the back.
- e. Put down the backrest cover and the wheelchair package bag.
- f. Check if the user is comfortably in a correct sitting position (**Figure 54**).



### CAUTION

Ensure the straps in the backrest are properly adjusted (see **Setting the backrest**). If the seat depth is large enough, the weight of the person is placed as far back in the seat as possible. That is safer for the user but also easier for the pusher to push.

## Putting down the wheelchair package

Follow these steps to turn the electric wheelchair into a rollator:

- a. Remove the footrests. Slide the footrests up until released from the footrest holders. Put them back into the bag of the Rollz wheelchair package, mirrored to each other (**Figure 55**).
- b. Grasp the handle of the wheelchair package and push the backrest forward until halfway up the frame. Then lower the backrest down until it folds behind the seat.

- c. Loosen the adjustment handles anticlockwise and turn the handles outwards until they point straight forward. Set the correct height for you and tighten the adjustment handles clockwise. See **Adjusting the height for correct posture**.
- d. The wheelchair package stays in place when folded and the rollator can be used to walk.

## Removing the wheelchair package

- a. Pull up the red handle without force. This way the locking bolts are tied in, and the wheelchair package unlocked (**Figure 56**).
- b. Hold the handle of the wheelchair package and pull it up without force.
- c. Then push down the red handle.
- d. The package can now be stored, for example when transporting the Rollz Motion Electric in a car. The footrests remain inside the package.

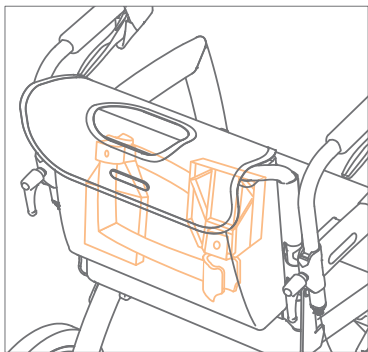


Figure 55: Storing footrests mirrored.

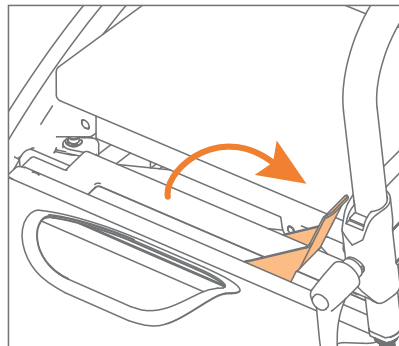


Figure 56: Unlocking the wheelchair package.

## Safety instructions

In the dark or with heavy rainfall, visibility on the road can be obstructed. Look together for the best and safest walking route. Good visibility is important.

## USING AS ELECTRIC WHEELCHAIR - with a person pushing

### Matching your pace

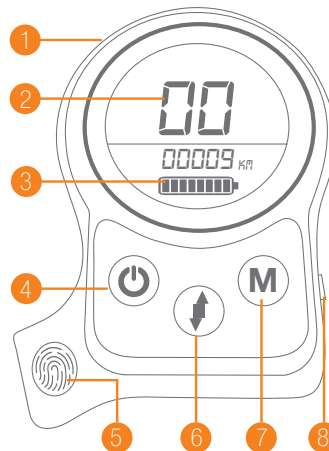
Whoever sits in the electric wheelchair and is being pushed for the first time, will need time to get used to it. Same goes for the person pushing the wheelchair. The person pushing and the person sitting in the electric wheelchair should regularly communicate about the pace and route. This way, both will get used to using the Rollz Motion Electric wheelchair. Walk slow at first, which will give you time to learn how to use the walker with confidence.

### Use of the electric support system - with a person pushing

While seated in the chair, the person pushing can activate the electric push support by pressing the On/Off button.

**(Figure 57):**

1. Multi-Functional display
2. Gear display
3. Battery display
4. On/Off button
5. Power assist
6. Direction
7. Gear
8. Charge port (not used)



**Figure 57: Push support controller buttons and components.**

The following steps can only happen when the person pushing the wheelchair has their hands on the handgrip. When the person takes their hands off the handgrip, the push support will stop.




By pushing the | **⚡** |, the person pushing the wheelchair can change the forward motion into a backwards motion.

By pushing the | **M** |, the person pushing the wheelchair can go through the different gears, which are the following:


- 01: Light power assistance, maximum speed 3.0 km/h / 1.9 mph
- 02: Medium power assistance, maximum speed 4.3 km/h / 2.7 mph
- 03: High power assistance, maximum speed 5.5 km/h / 3.4 mph

Automatic lock in mode 01 ~ 03: the automatic lock occurs 5 seconds after releasing the handgrip, then the support system will automatically lock, the display screen displays "LL", The Rollz Motion Electric locks and cannot move. Release the lock by holding the handgrip again and pressing any button or key on the push support controller, "LL" disappears and the lock is released.

## Power assist modes

**Constant power assist:** hold the handgrip, press on the On/Off button. Press with your thumb on the  button so the walker will run automatically at the set gear speed. If you want to change direction from forward to backwards, press the  button. If the LCD icon  flashes, you are in reverse mode. If you start walking backwards, a beeping sound will occur.

**Auto-power assist:** hold the handgrip, push the Rollz Motion Electric and auto-power assist automatically turns on. The more the wheelchair gets pushed, the more power the auto-power assist gives. The higher the gear, the more power. The auto-power assist works when pushing the wheelchair forwards and pulling it backwards. While going downhill, the auto-power assist can create resistance.

If the auto-power assist mode is insufficient while walking uphill, the constant power assist can be started by pressing the  button, to create a consistent walking speed.

**Anti-fall:** if the speed of the wheelchair becomes too fast while pushing the wheelchair, the wheelchair automatically brakes. In this case the display screen displays "EE". To resolve this and continue pushing the wheelchair: take your hands away from the handgrip, "EE" disappears and the anti-fall modus will ease.



## WARNING

- Do not drive into a hole or uneven terrain. The electric wheelchair might tilt with the person sitting in it.
- Do not collide hard against ledges or elevations. The person sitting in the electric wheelchair might be launched out of it.

- While walking with the electric wheelchair, look carefully ahead to determine a safe route.
- Attention: do not push the electric wheelchair off the pavement or any unevenness facing forward. This can be dangerous because the person in the electric wheelchair might topple over. Turn the electric wheelchair around and go backwards off the pavement.

### Going up a curb

It is often easier to use the dropdown of the curb of the pavement (if any). For curbs up to 15 mm:

- Place the front wheels of the wheelchair against the curb.
- Slowly push the wheelchair forwards.
- When the front wheels are on the curb, keep pushing the wheelchair forwards, so that the rear wheels also get on the curb.

For curbs higher than 15 mm and lower than the maximum curb height of 50 mm:

- Turn the wheelchair around, turn the push support off and place the wheels of the tipping aids against the curb.
- Slowly pull the wheelchair backwards so the wheels of the tipping aids go up the curb (**Figure 58**). Reverse till all the wheels have climbed the curb.
- Turn the wheelchair around and activate the push support.

### Getting off the pavement safely

To go down a curb from the pavement (**Figure 59**):

- Look carefully ahead to choose the smoothest route possible.
- Be careful when approaching curbs, height differences or uneven terrain.
- The pusher turns the wheelchair and slowly drives backwards off the curb.
- The person sitting leans against the backrest until the move is done.



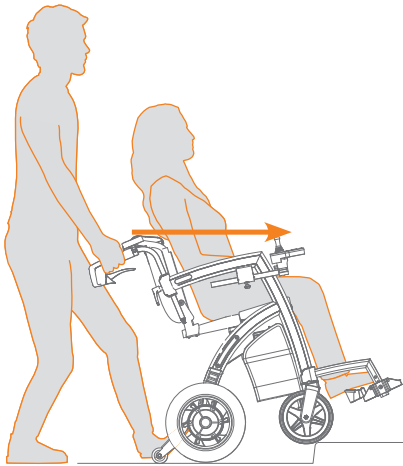
#### WARNING

If the pusher suddenly moves forward with the electric wheelchair from a curb or ledge that is higher than about 15 mm / 0.6 inch, the person in the electric wheelchair can be launched forward and even fall out. This can also happen if the pusher hits a ridge at pace. Therefore, prevent yourself from driving or crashing into an obstruction.

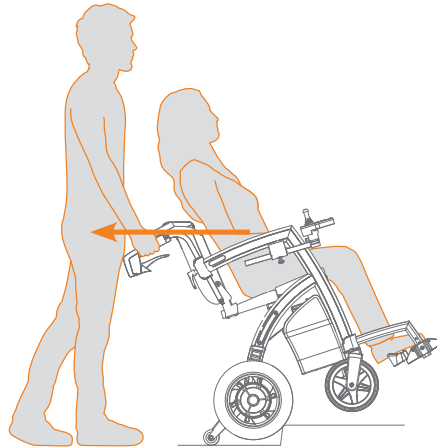
Avoid ditches, holes or potholes. One of the front wheels can end up abruptly in a hole that causes the wheelchair to unexpectedly tip over. The disproportionate amount of force on one of the front wheels might also damage the suspension. So be careful and choose a safe route.

## Slopes

The electric wheelchair is intended for use on a hard, level surface. It is more difficult to keep a course on roads slightly banked. The slope should not exceed 3° (**Figure 60**).



**Figure 58:** Going up a curb onto a pavement.

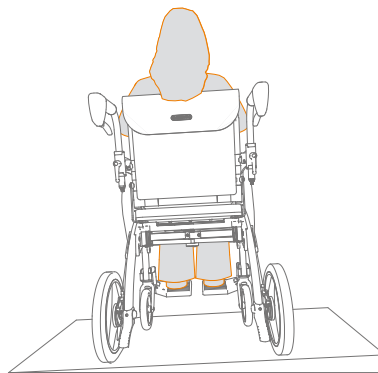


**Figure 59:** Getting off the pavement backwards.



### CAUTION

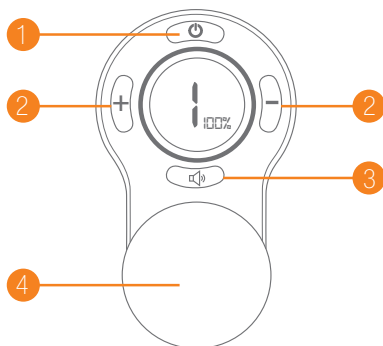
- The bank slope must not exceed 3°. If the bank angle is bigger there is a risk of tipping over with the electric wheelchair.
- If you walk up a slope, pushing can be tough. If the pusher wants to pause, apply the parking brake.
- Be very careful when walking down a slope. The pusher must brake gently to prevent it from going too fast.
- Be sure not to drive on steep slopes.



**Figure 60:** The maximum bank angle is 3°.

## USE OF THE JOYSTICK - while sitting in the electric wheelchair

While seated in the chair, with the handlebars in rollator position so you can always use the handbrakes in case of emergency, so the bars above the frame, you can activate the electric support system **(Figure 61)** by pushing on the Turn On button on the front control.



**(Figure 61):**


1. On/Off button
2. Gear buttons
3. Horn
4. Joystick

**Figure 61: Joystick controller display and buttons.**

By pushing the gear buttons, | - | and/or | + | you can go through the different gears. The higher the gear, the faster the speed (1.2 – 6 km/h / 0.8 - 3.7 mph). The backwards maximum speed range is between (1.0 – 2.2 km/h / 0.6 - 1.4 mph).

By using the joystick, you can change the direction, by letting go of the joystick or moving it to the middle position, the Rollz Motion Electric will brake. You can also pull the joystick towards you, which will brake the wheelchair quicker, but this also moves the wheelchair backwards.

When using the joystick while sitting in the wheelchair for the first time, set the Rollz Motion Electric to the lowest speed. This helps you to become familiar with the control system. When you feel comfortable enough, you can choose to increase the maximum speed.

**Horn:** By pressing the |  | button a horn will sound. Use this to warn others of your approach or presence.



### **WARNING**

Be careful not to take abrupt turns at high speed. Know that the turning circle is 158 cm / 5.2 ft.

### **Reversing**

By pulling the joystick towards you, you'll drive backwards, please always drive carefully. Make sure your road is as free of obstacles as possible. Do not reverse from a slope.



### **WARNING**

- Do not drive into a hole or uneven terrain.
- Do not collide hard against ledges or elevations.
- Look carefully to determine a safe route.
- Attention: do not drive off the pavement or any unevenness higher than 15 mm / 0.6 inch.

### **Going up a curb**

To go up a curb onto a pavement (**Figure 58**):

- a. Place the front wheels of the wheelchair against the curb.
- b. Move the joystick forward, you can drive on curbs of 15 mm / 0.6 inch high.
- c. When the front wheels are on the curb, keep pushing the joystick forwards, so that the rear wheels also get on the curb.

It is often easier to use the dropdown of the curb of the pavement (if any).

### **Getting off the pavement safely**

To go down a curb from the pavement (**Figure 59**):

- a. Look carefully ahead to choose the smoothest route possible.
- b. Be careful when approaching curbs, height differences or uneven terrain.
- c. When going down a curb, slowly drive the wheelchair off the curb. The curb must be less than 15 mm / 0.6 inch.
- d. It is often easier to use the dropdown of the curb of the pavement (if any).



## Slopes

The electric wheelchair is intended for use on a hard, level surface. It is more difficult to keep a course on roads slightly banking. The slope should certainly not be too strong to prevent tilting, not more than 3° (**Figure 60**).



### CAUTION

- The bank angle must not exceed 3°. If the bank angle is bigger there is a risk of tipping over with the electric wheelchair.
- Be very careful when driving down a slope.
- Use of the Rollz Motion Electric on escalators is prohibited.

## Transfers (getting in or out of the wheelchair)

Practice getting in and out of the wheelchair with your practitioner (physiotherapist or occupational therapist) if possible.

When getting in and out of the electric wheelchair, use the armrests as a support point and not the joystick. The following points must be followed to avoid possible damage:

- Drive the Rollz Motion Electric as close as possible to the place where the transfer will take place.
- Make sure that the Rollz Motion Electric is switched off when you get in or out.
- Do not use the footrest to stand up when getting in or out.
- Apply the parking brake before getting in or out.
- Make sure that your feet do not get caught behind the footrest or frame parts.

## Seating position

To prevent tipping over while driving, you must observe a number of points that can affect the stability and balance of the Rollz Motion Electric. The following points affect the projection of the centre of gravity:

- Height and angle of the seat.
- The sitting position of the user.
- Sloping surface.
- The height and weight of the user.

- It is not permitted to make any adjustments to the Rollz Motion Electric yourself.
- Extending the arms and/or moving them to grab objects from your Rollz Motion Electric will affect the tipping point of the Rollz Motion Electric.
- Reposition yourself by leaning only on the armrests of the Rollz Motion Electric.
- Only reposition yourself while stationary.
- Do not lean on the footrest when repositioning yourself.
- Do not pick up objects from the floor that require you to reach over your knees.
- Never lean over the backrest. This can cause the Rollz Motion Electric to tip over.
- Do not lift the Rollz Motion Electric while the occupant is seated.

## SPECIFICATIONS FOR ROLLZ MOTION ELECTRIC

### Product specifications (Figure 62) - (Figure 63) Information about the material

**Frame:** welded aluminium with coating.

**Handles:** polyurethane (PU) foam.

**Seat cushion cover and wheelchair package cover:** 100% polyester.

**Inner cushion seat and wheelchair package seat:** filling of polyurethane (PU) foam.

**Joystick and controller push buttons:** synthetic rubber.

**Front wheels of the Rollz Motion Electric:** PU rubber tires.

**Rear wheels of the Rollz Motion Electric:** aluminium rims with pneumatic tires. The tire is made of synthetic rubber, the inner tube of synthetic rubber with a so-called car valve.

**Armrests:** an elastic fibre fabric of neoprene and synthetic rubber (Styrol Butadiene Rubber) filled with EVA foam rubber.

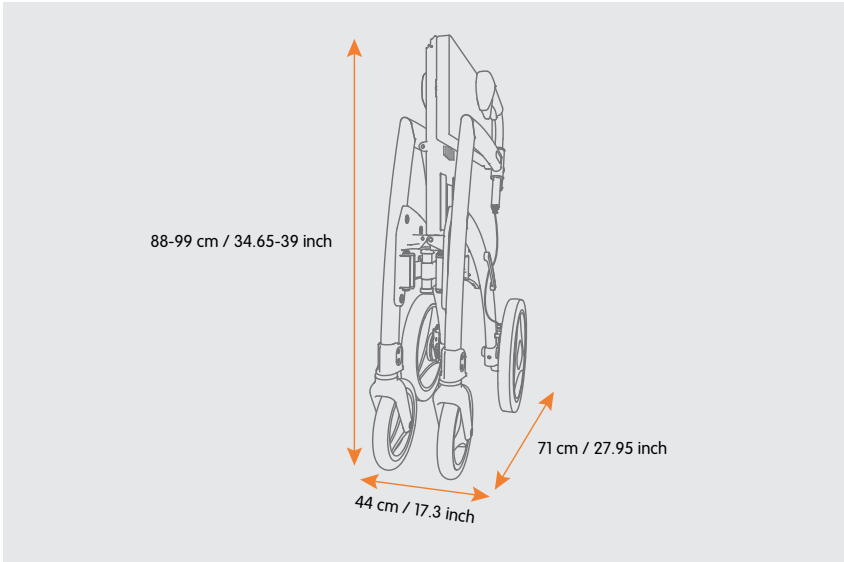
**Footrests:** aluminium frame with plastic footrests.

**Battery case:** aluminium alloy.

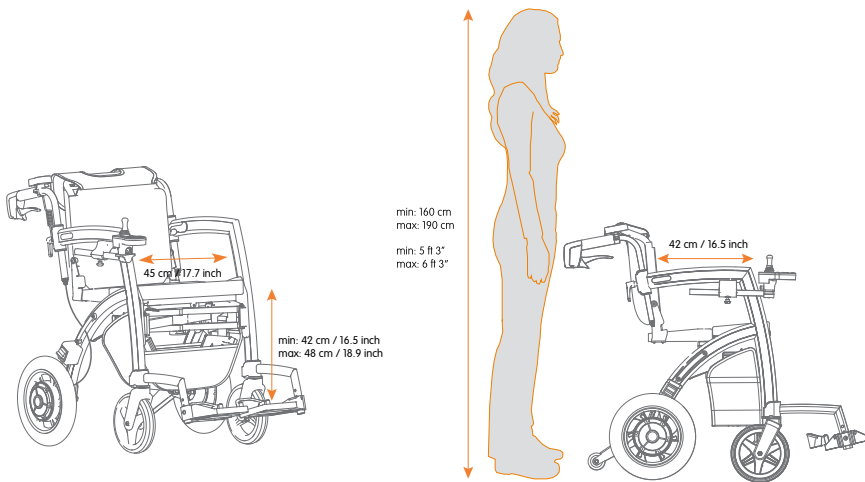
**Anti-tip device:** steel.

PRODUCT MEASUREMENTS	
Model	Rollz Motion Electric
Class	A
Weight rollator	19.6 kg / 43.21 lbs (excluding battery) or 22.6 kg / 49.82 lbs (including battery)
Weight wheelchair package	3.4 kg / 9.5 lbs
Weight electric wheelchair	23 kg / 50.7 lbs (excluding battery) or 26 kg / 57.32 lbs (including battery)
Rollator unfolded with joystick and push support attached H x D x W	88-99 x 71 x 74 cm / 34.65-39 x 27.95 x 29.5 inch
Electric wheelchair unfolded, with handlebars above the frame H x D x W	91-99 x 100 x 74 cm / 35.8-39 x 39.4 x 29.5 inch
Measurement rollator folded H x D x W	90 x 71 x 44 cm / 35.4 x 28 x 17.3 inch
Electric wheelchair unfolded, H x D x W	91-96 x 110 x 74 cm / 35.8-37.8 x 43.3 x 29.5 inch
Rear wheels diameter	12.5 inch (air tire)
Rear wheels width	2 ¼ inch
Front wheels diameter	8 inch (Air tire)
Front wheels width	1 ¼ inch
Reversing width	116 cm / 45.7 inch
Range	15 km / 9.3 mile
Max speed	6 km/h / 3.73 mph
Stopping distance	<100cm / <39,4 inch
Sound level	<65 dB

The distance range will be reduced if the wheelchair is used frequently on slopes, rough terrain or to climb kerbs. The stopping distance on slopes can be significantly greater than on level ground. The maximum width of 740 mm / 29.1 inch is larger than the maximum width recommended in a.1.1 of EN 12184:2014 of 700 mm / 27.6 inch. Access to escape routes can be limited.



**Figure 62:** This is how compact the folded Rollz Motion Electric is.



**Figure 63:** Ergonomic dimensions of the Rollz Motion Electric electric wheelchair.

ERGONOMIC DIMENSIONS	
Rollz Motion Electric	
Maximum weight of user	100 kg / 220 lbs
Minimum and maximum height of the user and pusher	Ca 1.60 m till 1.90 m / 5.25 ft till 6.25 ft
Seat of rollator H x D x W	55 x 20 x 45 cm / 21.7 x 7.9 x 17.7 inch
Seat of electric wheelchair H x D x W	55 x 42 x 45 cm / 21.7 x 16.5 x 17.7 inch
Height handles rollator	88-99 cm / 34.25-38.6 inch
Height handles electric wheelchair	84-96 cm / 33.1-36.61 inch
Distance between handles	44.5 cm / 17.52 inch

TECHNICAL DETAILS	
Rollz Motion Electric	
Motor	DC24V250W2
Motor power	2*250 W
Battery type	Li-ion
Battery capacity	12,5 Ah
Battery nominal voltage	24 V
Charger and maximum output current	AC100-240 V 50-60 Hz and 2 A output
Controller maximum output current	40 A, running current 2-3 A

## ERROR CODES AND SOLUTIONS

An error code can appear when an error occurs. This is indicated when 'EE' is displayed on the LCD screen. Below 'EE', the specific error code will be shown. Find the error code below to read the recommended solution.

ERROR CODE LISTING		
Error code	Failure cause	Solution
E0002	Left motor malfunction	Check whether the left motor cable and connector is damaged. If damaged, contact the dealer to replace broken parts. If the outlet or cable is not damaged, check whether the left motor cable is securely inserted. If this is correctly inserted, contact the dealer to look into this error code further.
E0004	Right motor malfunction	Check whether the right motor cable and connector is damaged. If damaged, contact the dealer to replace broken parts. If the outlet or cable is not damaged, check whether the right motor cable is securely inserted. If this is correctly inserted, contact the dealer to look into this error code further.
E0008	Left motor current detection error	Contact manufacturer to replace the broken parts.
E0010	Right motor current detection error	Contact manufacturer to replace the broken parts.
E0020	Battery power detection is incorrect	Contact manufacturer to replace the broken parts.
E0040	15V voltage malfunction	Contact manufacturer to replace the broken parts.
E0800	Front control communication failure	Check if the cables and connections are correctly connected, see <b>Cables and connections (Weekly)</b> . If connected correctly, contact manufacturer to replace the broken parts.
E-021	Rear control communication failure	Contact manufacturer to replace the broken parts.
E-023	Attitude sensor abnormal	Contact manufacturer to replace the push support controller.
E-024	Vehicle attitude calibration	Make sure the handlebars are in push support position. Push and hold the On/Off button until you hear a voice prompt, release the button and keep the Rollz Motion Electric stationary until the 00001 disappears from the screen.
E-025	Grip detection sensor error	Contact manufacturer to replace the broken parts.
E-026	Grip detection sensor error	Contact manufacturer to replace the broken parts.
E-027	The touch panel is abnormal	Contact manufacturer to replace the broken parts.

## ACCESSORIES

The functionality of the Rollz Motion Electric can be expanded by using accessories such as a travel cover, umbrella, belt, cup holder and flexible back support. Use only original or Rollz International BV approved accessories. New accessories are regularly released. Visit [www.rollz.com](http://www.rollz.com) or ask your supplier for new accessories.

## MAINTENANCE

Regular maintenance extends the life and increases the safety of your Rollz Motion Electric. Only let authorised Rollz dealers replace or fix parts that are worn, damaged or broken.

### Cleaning/disinfecting

Clean your Rollz Motion Electric frequently to keep it in optimal condition.

- a.** Clean the frame and handgrips using lukewarm water and a cloth. Thoroughly dry your Rollz Motion Electric after cleaning. For more resistant stains you can use a mild detergent.
- b.** Avoid excessive water contact with moving parts, such as axles and hinge points.
- c.** The handles of the rollator, the handle of the wheelchair package and the armrests may not be disinfected with an alcohol-based disinfectant. This will damage the material. Clean these parts with warm soapy water. Make sure to dry everything to prevent corrosion.
- d.** The wheels can be cleaned using lukewarm water and a brush with plastic bristles. Do not use a wire brush because it can damage your Rollz Motion Electric.
- e.** Before passing the Rollz Motion Electric on to a new user, it must be disinfected.
- f.** Do not rinse the electrical parts with water. NOTE: When the battery has come in contact with water, turn the product completely off before removing the battery, and don't use the Rollz Motion Electric before drying the battery. After the Rollz Motion Electric is completely dry, you can replace the battery.

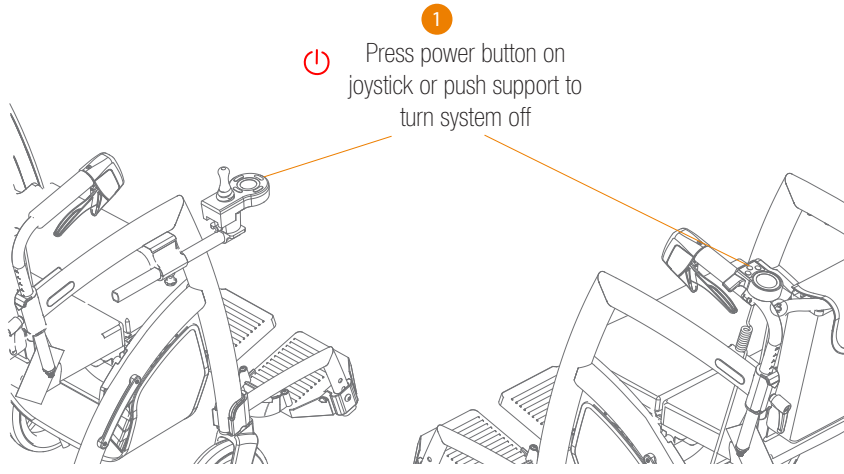
### NOTE

Do not use an alcohol-based disinfectant.

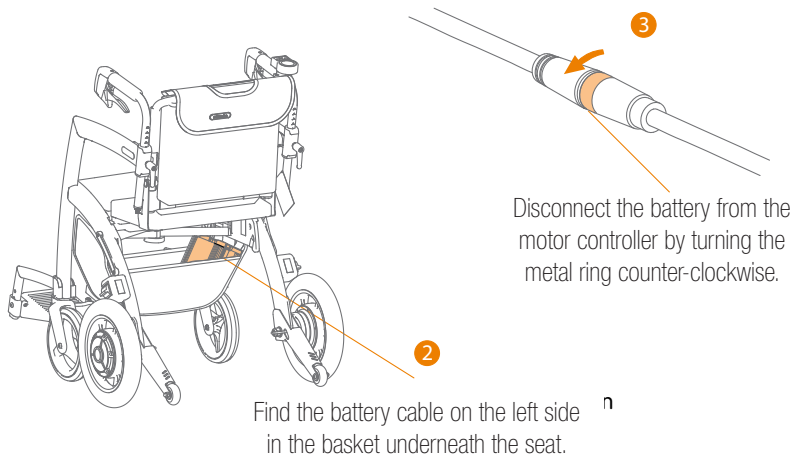
## Disconnecting the battery

Turn off the system, apply the parking brake, do not have a person seated in the wheelchair and position the Rollz Motion Electric on a flat surface before removing the battery.

Find the battery cable and disconnect the battery cable by turning the metal ring on the connector anticlockwise. You can find the battery cable in the basket under the seat. After disconnecting the cable you can unwrap the Velcro strips to take out the battery.

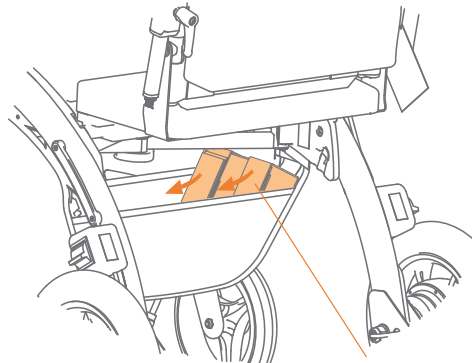


**Figure 64:** Turn the system off before removing the battery.



**Figure 65:** Locate and disconnect the battery.





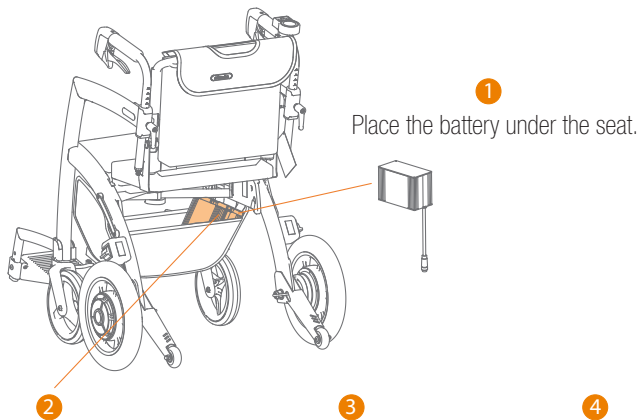
Unwrap the battery.

4

**Figure 66: Unwrap the battery.**

### Reconnecting the battery

Place the battery in the bag with the cable pointing downwards. Wrap the Velcro strips around and tighten these firmly. Find the battery cable and connect to the battery by turning the metal ring on the connector clockwise. You can find the battery cable in the basket under the seat. After checking the cable connection you can power the system back on and test the functionalities of the system.



Place the battery under the seat.

2  
Reposition the Velcro straps and re-connect it with the motor controller.

3  
Press the power button and turn the system back on.

4  
Check all functions.

**Figure 67: Reconnect the battery.**

## Storing the Rollz Motion Electric

Always store your Rollz Motion Electric in a clean, dry and dust-free environment.

Do not store your Rollz Motion Electric in an environment where it may come into direct contact with water; temperatures lower than -5 °C / 23 °F and higher than 45 °C / 113 °F; with very high humidity.

## Battery maintenance (Daily)

Check the remaining battery capacity. If the battery reaches the end of its service life and should be replaced, please contact the supplier or an authorised Rollz dealer.

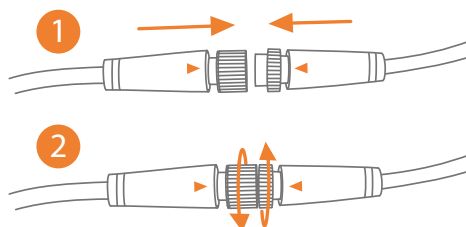
Battery life and performance depend on temperature, battery status and user weight. As the battery ages, a loss of capacity can occur (if there's a significant loss of range or charging the product takes significantly longer). In this case we recommend replacing the battery by contacting the dealer.

Before use, check that the battery is fully charged. The normal charging time of the battery is around 5 hours. When the battery is completely empty, the charging time can be up to 6 hours.

If you do not use the battery for a longer period of time, make sure that it is charged at least every 2 months. Failure to charge the battery for an extended period of time may cause internal damage.

## Cables and connections (Weekly)

Check the electrical parts and connecting wires for proper connections and for any damage. Even the smallest damage can lead to dangerous situations (e.g. short circuit) and will need to be fixed immediately. If damaged, please contact the supplier or have an authorised Rollz dealer repair it. Do not repair it by yourself. Check if the connections have been fixed according to **Figure 68**. Do not remove or disconnect components while having the electric support system turned on.



**Figure 68:** Make sure that the connectors are aligned properly and tightened if applicable.

### Motors (Every month)

Inspect the motors in the rear wheels for visible cracks or deformations, check if the wheels can rotate freely and check for increased noise during use. Verify that the nuts and other fasteners that attach the motors to the frame are tightened properly and have no slack. Do not use the Rollz Motion Electric if any of these issues have been noticed. Contact the supplier or an authorised Rollz distributor.

### Push support controller and joystick controller (Every 3 months)

Clean the controller and joystick with a cloth dampened with a neutral diluted cleaner carefully. Never use abrasive materials or alcoholic detergents for cleaning. Protect the controllers from damage during transportation of the wheelchair. Always prevent liquids ingress in openings of the controllers.

### Washing the seat cover

The cover of the seat cushion is washable. Always remove the inner cushion before washing.

- a. Pull the Velcro on the cover of the cushion off from the seat **(Figure 69)**.
- b. Unzip the cover and remove the inner cushion.
- c. The cover is now ready for washing in the washing machine at a maximum temperature of 30 °C / 86 °F.
- d. Simply dry the cover in the air, not in the dryer.
- e. Put the inner cushion back in the cover and zip up the seat.
- f. Place the cushion back on the seat.

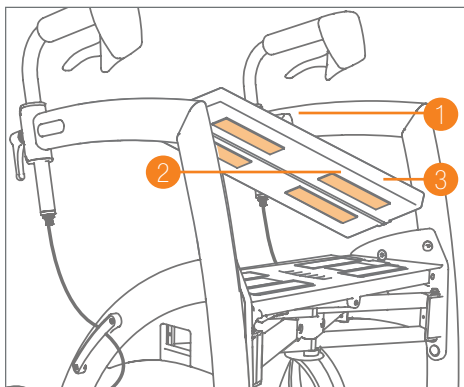


Figure 69: Removing the seat cushion from the rollator.

#### NOTE

Never bleach or dry-clean the cover and do not iron it.

#### What is where?

1. Seat cushion
2. Velcro
3. Zipper

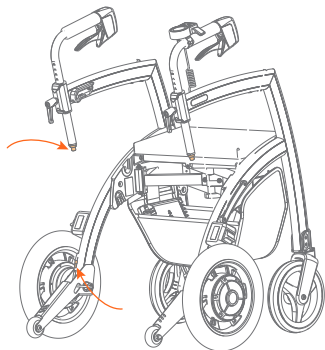
## Brake performance (Daily)

Check the braking performance. When the brakes are in use, the wheels of the Rollz Motion Electric should come to a stop. If the wheels do not stop when using the brake: immediately shut down the system, check for damage and try to adjust the brakes according to the explanation below. Contact the supplier if the brakes are damaged or when the braking performance does not allow the Rollz Motion Electric to stop after adjusting. Do not repair the brakes by yourself.

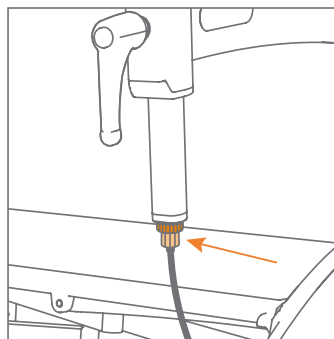
## Adjusting the brakes

By using the Rollz Motion Electric, the brakes can wear out. As a result, it may be necessary to readjust the brakes. When the brakes are correctly adjusted, you prevent problems and can make optimal use of them. Check the brakes regularly, preferably before each use. When the Rollz Motion Electric has the parking brakes applied, the wheels should not turn. When the hand brakes are released, the Rollz Motion Electric should not be slowed down.

If the brakes do not work properly, they can be adjusted in two ways: at the top and bottom of the brake cable (**Figure 70**). The adjustment at the top of the brake cable (just below the height adjustment handle) is for fine-tuning, so the performance of the brake can be set a little tighter. The adjustment at the bottom of the brake cable (near the rear wheels) is for a more radical adjustment. Make sure that both the left and right brakes are properly adjusted.



**Figure 70:** Brake adjustment via the adjustment screws at the top and bottom of the brake cable.



**Figure 71:** Brake adjustment via the adjustment screw, just below the locking ring.

## Brake adjustments at the top of the brake cable

You can tighten the brakes using the brake adjustment at the top.

- a. The Rollz Motion Electric must not be on the parking brakes while adjusting the brakes.

- b. First loosen the locking ring (pull the cable down to make it easier). This gives you the space to tighten or loosen the adjustment screw under it **(Figure 71)**.
- c. Tighten the locking ring again and check if the brake provides the desired braking force.
- d. Do the same on the other side and check if both brakes offer the same resistance.

### Brake adjustments at the bottom of the brake cable

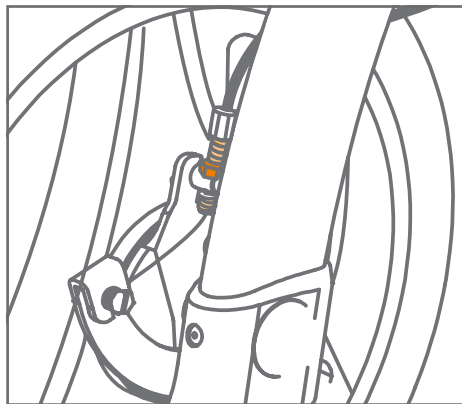
If you need to tighten the brakes more than what the top adjustment will allow, you can further adjust using the bottom brake adjustment.

- a. The Rollz Motion Electric should not be on the parking brakes while adjusting the brakes.
- b. Stay at the rear of the Rollz Motion Electric when adjusting the brakes. Loosen the locking ring at the bottom of the brake cable (pull the cable up to make it easier). Turn the adjustment screw above it to shorten or extend the brake cable **(Figure 72)**. Turn clockwise for more braking power, and anticlockwise for less braking power.
- c. When the brake has the desired force, tighten the locking ring.
- d. Do the same on the other side.
- e. Check whether the braking force on the left and right side is evenly distributed.



#### CAUTION

If the brakes do not function properly after adjusting them, contact your supplier immediately and do not use the Rollz Motion Electric.

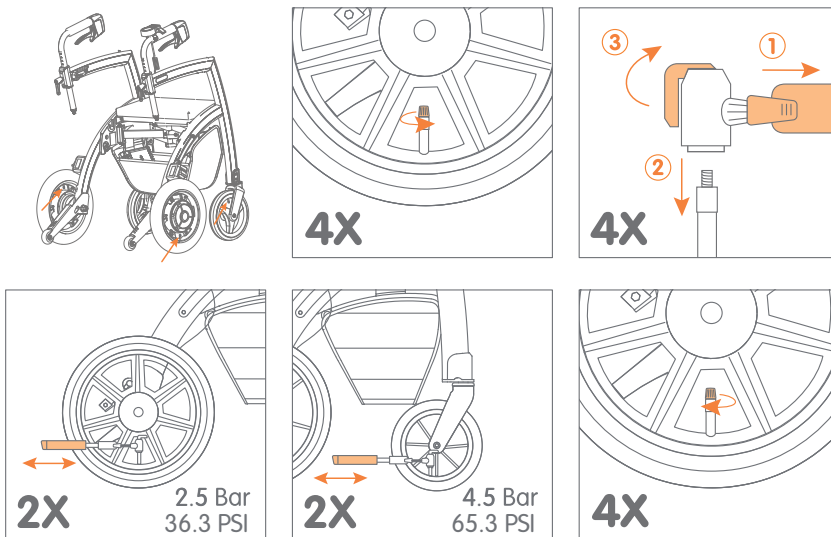


**Figure 72:** Brake adjustment via the circlip (dark orange) and the adjusting screw.

## Inflating the pneumatic tires (approximately every month)

The Rollz Motion Electric has pneumatic rear wheels. These pneumatic tires need to be provided with extra air regularly for optimal usage (**Figure 73**). The inner tubes are equipped with Schrader valves, also known as car valves. Always bring the included pump with you on the road to use it if necessary. It fits in the bag of the wheelchair package.

About two pumps per band are usually enough to get the recommended pressure. The rear tires must have a maximum pressure of 2.5 bar ( $\approx$  2.5 atmospheres or 36.3 PSI / or 250 kPa). The front tires must have a maximum pressure of 4.5 bar ( $\approx$  4.5 atmospheres or 65.3 PSI or 450 kPa)



**Figure 73: Inflating the pneumatic tires.**



### CAUTION

Do not inflate the tires over the advised pressure because they could explode under high pressure.

### NOTE

Frequently check if the tires are inflated up to the recommended pressure. If the tires are too soft, the Rollz Motion Electric will be harder to push.

## Flat tires

Immediately turn the system off and do not use the Rollz Motion Electric if a tire is flat, punctured or broken. Contact the supplier or authorised Rollz dealers to replace the tire.

## Replacement of parts

Wearable parts, like foam handles, tires, wheels, brake cables and the seat cushion, are subject to wear and tear. Please contact your supplier for the replacement of parts if necessary.

### NOTE

Only use original or Rollz International BV approved parts.

## WARRANTY

Is something wrong with your Rollz Motion Electric within two years of purchase? Then contact your supplier immediately. They will look for a solution as quickly as possible in consultation with Rollz International. We apply the warranty provisions below.

Repairs are also possible after the warranty period has expired, against reimbursement of costs incurred. Please contact your dealer directly for this.

## Warranty provisions

Rollz® International BV, established in Delft in the Netherlands (hereinafter "Rollz"), in its capacity as manufacturer, guarantees the Rollz Motion Electric (hereafter: "product") are produced under the following provisions:

1. The general warranty period for the first owner (hereinafter: "customer") is 24 months from the date of purchase.
2. Rollz gives a five-year guarantee from the date of purchase on material and construction errors of the frame during normal use and maintenance.
3. The battery is under warranty for a period of 18 months.
4. The electric support system, except the battery, is under warranty for a period of 24 months.
5. The warranty gives the right to repair, explicitly not to exchange or to take back a product.
6. In case of repair, the customer takes care of the transport of the product to and from the store where it was purchased (the "supplier"). The supplier will arrange the repair in consultation with Rollz.

7. The warranty can only be invoked if the customer provides the supplier with a copy of the purchase receipt with purchase date and a clear description of the complaints, together with the defective product.
8. If necessary, Rollz takes care of the transport of the product from the supplier to Rollz and vice versa for its own costs and risk, but only if the repair is covered by the warranty.
9. The warranty period is never extended, even in the case of repairs.
10. The warranty is not transferable and can therefore only be invoked by the first owner.
11. The warranty does not affect the rights that the customer has under the law.

The warranty does not apply in the following situations:

- a. if the customer has made or ordered changes or repairs without prior written permission from Rollz or the supplier;
- b. when defects have been caused by neglect or an accident and / or use or maintenance, other than what is stated in the manual;
- c. if the serial number is damaged or removed;
- d. if the damage to the product is the result of normal wear and tear.

### **Register your Rollz Motion Electric**

Please register your product with Rollz International by filling out the online form on [www.rollz.com](http://www.rollz.com). Make sure to enter the serial number of the Rollz Motion Electric. This number can be found on the sticker on the seat (under the cushion). When registering, you can also sign up for an e-mail newsletter to stay informed about Rollz product news.



## CONTACT

Rollz International is always keen to further improve its products, so therefore we are interested in your opinion. This could be about the use of the product, the manuals or any other aspects.

Please send your tips or experiences to: [info@rollz.com](mailto:info@rollz.com).

Or contact us for any other questions or comments you may have:

### **Rollz® International BV**

Rotterdamseweg 402M

2629HH Delft

The Netherlands

+31 (0)20 362 20 10

[info@rollz.com](mailto:info@rollz.com)

[www.rollz.com](http://www.rollz.com)



# GEBRUIKSHANDLEIDING

De rollator en elektrische rolstoel ineen

rollz motion electric

NL

Nederlands

## Rollz® International BV – Rollz Motion Electric

© Copyright 2023 Rollz® International BV

Dit is een vertaling van de originele Engelse handleiding. Deze gebruikershandleiding is gebaseerd op de informatie die beschikbaar was op het moment dat deze werd opgesteld. Het is mogelijk dat de informatie in dit document wordt gewijzigd. Het aangeschafte product kan enigszins afwijken van het product dat in deze handleiding wordt beschreven.

U kunt de meest recente handleiding downloaden op [www.rollz.nl](http://www.rollz.nl). Om u op de hoogte te houden van de nieuwste informatie vernieuwen wij [www.rollz.nl](http://www.rollz.nl) regelmatig. Rollz® International BV kan niet aansprakelijk gesteld worden voor technische fouten of imperfecties in deze handleiding.

### CE-conformiteit

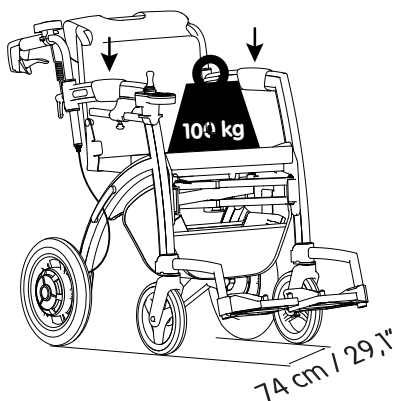
Het product voldoet aan de eisen van de EU-Richtlijn 93/42/EEG voor medische hulpmiddelen. Op basis van de classificatieregels in Bijlage IX van deze richtlijn wordt het product ingedeeld in klasse I. De verklaring van overeenstemming is tot stand gekomen onder de eigen verantwoordelijkheid van Rollz® International BV op basis van Bijlage VII van deze richtlijn.

### Internationale normen

De Rollz Motion Electric is gecertificeerd als een rollator volgens ISO-norm 11199-2:2005. De Rollz Motion Electric is ook gecertificeerd als rolstoel volgens ISO-norm 7176-8: 2014 (Cor. 2015-09). De Rollz Motion Electric is gecertificeerd als een klasse A elektrische rolstoel volgens ISO 12184:2014.

## rollz motion electric

Max 100 kg / 220 lb



**Figuur 1: Rollz Motion Electric breedte en maximum laadgewicht.**

## INHOUD

<b>Voor u begint</b>	<b>66</b>
Belangrijke informatie	66
Veiligheidsinstructies	67
Waarschuwingen	68
Ongeschikte omstandigheden	69
Elektromagnetische interferentie	70
Voor wie is dit product bestemd	71
Voor wie is dit product niet bestemd (contra-indicatie)	71
Hergebruik	71
<b>Uitpakken</b>	<b>72</b>
Controleer of uw levering compleet is	72
Bevestigen van de duwondersteuning en joystickbesturing	72
Bevestigen van de duwondersteuning	73
Bevestigen van de joystickbesturing	73
Bevestigen van de 3-in-1 rolstoelpakkethouder	73
Opladen van de Rollz Motion Electric	74
Waarschuwingen	75
Verpakkingsmateriaal recycleren	76
<b>Gebruik als rollator</b>	<b>76</b>
Wat zit waar?	77
Uitklappen en inklappen	77
Transport	79
Hoogte afstellen voor de juiste houding	80
Lopen met de Rollz Motion Electric - als een rollator	82
Remmen bedienen	83
Rusten op de Rollz Motion Electric	84
De tas gebruiken	84
Over drempels en stoepanden gaan	84
<b>Van rollator naar elektrische rolstoel</b>	<b>85</b>
Wat zit waar op de Rollz Motion Electric	86
Bevestigen van het rolstoelpakket	87
Het rolstoelpakket omhoogtrekken	87
Instellen van de voetensteunen (eenmalig)	90

Rugleuning instellen (eenmalig)	92
Het rolstoelpakket naar beneden klappen	92
Verwijderen van het rolstoelpakket	93
Veiligheidsinstructies	93

## **Gebruik als elektrische rolstoel - met een duwer die de elektrische rolstoel voortduwt** **94**

Jullie snelheid afstemmen	94
Gebruik van de elektrische ondersteuning - met een duwend persoon	94
Bekrachtigingsmodussen	95
Constante bekrachtiging	95
Automatische bekrachtiging	95
Anti-val	96
De stoep op gaan	96
Veilig van de stoep afgaan	97
Hellingen	98

## **Gebruik van de joystick - terwijl u in de rolstoel zit** **98**

Achteruitrijden	99
Een stoep opgaan	99
Veilig van de stoep afgaan	100
Hellingen	100
In- of uitstappen	100
Zitpositie	101

## **Specificaties Rollz Motion Electric** **102**

Product specificaties	102
Informatie over het materiaal	102
Product afmetingen	103
Ergonomische afmetingen	105
Technische gegevens	105

## **Foutcodes en oplossingen** **106**

Foutcodes	106
-----------	-----

## **Accessoires** **107**

## **Onderhoud** **107**

Schoonmaken/desinfecteren	107
Het verwijderen van de accu	108
De accu weer aansluiten	109
Opbergen van de Rollz Motion Electric	110
Onderhoud van de accu (Dagelijks)	110
Kabels en aansluitingen (Wekelijks)	110
Motoren (Elke maand)	111
Duwondersteuning en joystick-controller (Elke 3 maanden)	111
De kussenhoes wassen	111
Remkracht (Dagelijks)	112
Afstellen van de remmen	112
Remverstelling bovenaan de remkabel	113
Remverstelling onderaan de remkabel	113
Oppompen van de luchtbanden (gemiddeld elke maand)	114
Platte banden	115
Vervangen van onderdelen	115
<b>Garantie</b>	<b>116</b>
Garantiebepalingen	116
Registreer uw Rollz Motion Electric	117
<b>Contact</b>	<b>118</b>

## VOOR U BEGINT

Gefeliciteerd met uw Rollz Motion Electric. Met deze handleiding wil Rollz International BV u helpen om veilig en optimaal van uw rollator en elektrische rolstoel in één gebruik te maken. Als er onduidelijkheden zijn over de waarschuwingen of instructies in deze handleiding, neem dan contact op met uw leverancier voor opheldering.

Wij hopen dat u veel plezier zult beleven aan het gebruik van uw Rollz Motion Electric.

### **Belangrijke informatie**

- Lees deze gebruikshandleiding aandachtig door voordat u het product gebruikt en berg deze goed op, zodat u de gebruikshandleiding later nog eens kunt inzien.
- De handleiding is geschreven voor de Rollz Motion Electric (geïntroduceerd in 2022).
- Breng uw veiligheid en die van anderen rondom u niet in gevaar door verkeerd gebruik van dit product.
- In deze handleiding wordt gesproken over het elektrische ondersteuningssysteem, dit systeem bevat de met een joystick bediende elektrische ondersteuning en de duwondersteuning, die de motoren in de wielen aansturen.
- De breedte van de rolstoel is groter dan de aanbevolen breedte voor rolstoelen van klasse A. De toegang tot vluchtwegen kan beperkt zijn.
- Onderdelen van de Rollz Motion Electric kunnen in de zon iets verkleuren.
- Stel het product niet bloot aan temperaturen lager dan -5 °C / 23 °F en hoger dan 45 °C / 113 °F omdat deze schade kunnen veroorzaken aan onderdelen waardoor de rollator niet meer goed functioneert.
- De Rollz Motion Electric bevat elektronische componenten. Voorkom daarom dat de rollator nat wordt. Gebruik hem niet buiten bij hevige regen.
- Gebruik alleen de meegeleverde oplaadadapter om de Rollz Motion Electric op te laden.
- Gebruik alleen originele Rollz accessoires. Het gebruik van niet-goedgekeurde accessoires kan onveilig zijn en maakt de garantie ongeldig.
- Schade door overbelasting van het product of verkeerd in- en uitklappen doet niet alleen de garantie vervallen, maar zorgt ook voor onveilige situaties. De garantiebepalingen vindt u in deze handleiding.



- Het serie- en artikelnummer van uw Rollz Motion Electric bevinden zich op de productsticker. Deze sticker is geplakt op het zitgedeelte (onder het zitkussen).
- Elk ernstig incident in verband met het toestel moet worden gemeld aan de fabrikant en de bevoegde autoriteit van uw land.
- Het is belangrijk om uw product te registreren bij Rollz International op [www.rollz.nl](http://www.rollz.nl).
- Houd u aan de regels die in uw land gelden voor het gebruik van elektrische rolstoelen.



### Veiligheidsinstructies

	Lees en volg de instructies in deze handleiding op.
	Vlambare materialen, vermijd contact met open vuur of vonken. Voorkom dat de accu in contact komt met vlambare materialen.

- De Rollz Motion Electric is uitsluitend bedoeld om één persoon te ondersteunen/vervoeren.
- Gebruik altijd de juiste positie voor de handgrepen. De juiste posities kunt u vinden in de paragraaf **Hoogte afstellen voor de juiste houding**.
- Controleer en/of stel de remmen tijdig opnieuw af om verlies van remkracht te voorkomen.
- Controleer de remmen regelmatig om er zeker van te zijn dat u voldoende remkracht heeft. Zie hoe u dat doet in het hoofdstuk **De remmen afstellen**.
- Controleer of alle voedingen zijn aangesloten en de elektrische onderdelen, inclusief de accu, niet zijn beschadigd voordat u de Rollz Motion Electric voor het eerst gebruikt. Beschadigde of verkeerd aangesloten onderdelen kunnen gevaar of onveilige situaties veroorzaken. Informatie hierover vindt u in het hoofdstuk **Kabels en aansluitingen (Wekelijks)**.
- Joystickbestuurde elektrische ondersteuning is niet noodzakelijkerwijs in staat om obstakels buitenshuis te passeren.
- Elektrische ondersteuning met duwondersteuning kan buiten worden gebruikt op oppervlakken die in deze handleiding als veilig worden beschouwd.

- Als u in de Rollz Motion Electric zit en de joystickgestuurde elektrische standaard gebruikt, moet u het stuur altijd in de rollatorstand hebben, met het stuur boven het frame, zodat u in geval van nood bij de handremmen kunt.
- Als u in de rolstoel zit, rijdt u met de Rollz Motion Electric alleen (schuine) hellingen op of af van maximaal 3 graden.
- Wanneer u loopt met de rollator ga dan enkel hellingen van maximaal 15° / 26.8% af, enkel op hellingen van maximaal 7° / 12.3% en schuine hellingen niet hoger dan 3.5° / 6.1%.
- Terwijl u in de Rollz Motion Electric zit en een persoon duwt, rijdt u alleen omlaag op hellingen van 15° / 26,8%, omhoog op hellingen van 7° / 12,3% en op zijwaartse hellingen niet hoger dan 3,5° / 6,1%.
- Controleer regelmatig de capaciteit van de accu, door het scherm bij de joystick of de duwondersteuning te bekijken, om te zien of de accu moet worden opgeladen.
- Houd gereedschap en andere metalen voorwerpen uit de buurt van de accu. Contact met de positieve en negatieve polen kan kortsluiting of een schok veroorzaken.
- Zorg dat u bekend bent met het gebruik van de Rollz Motion Electric voordat u deze in gebruik neemt.
- Zorg ervoor dat de Rollz Motion Electric is uitgeschakeld wanneer u deze niet gebruikt.
- Bewaar de Rollz Motion Electric in een schone en droge omgeving en voorkom blootstelling aan hoge temperaturen en snelle temperatuurwisselingen. Als u de Rollz Motion Electric langere tijd niet gebruikt, zorg er dan voor dat de accu is opgeladen voordat u deze weer gebruikt.
- Dit product moet worden gescheiden van zuur, alkali en andere chemische bijtende voorwerpen.



## Waarschuwingen

- De Rollz Motion Electric is gecertificeerd als een klasse A rolstoel, wat betekent dat het gebruik buitenshuis is beperkt tot: een maximale veilige helling van 3° / 5,25%, een maximale obstakelhoogte van 15 mm / 0,6 inch en een maximale bodemoneffenheid van 10 mm / 0,4 inch. Overschrijding van deze grenzen kan leiden tot gevaarlijke situaties. Veilig gebruik buitenshuis kan alleen worden gegarandeerd in gebieden waar deze voorwaarden niet worden overschreden.

Het is van essentieel belang dat de gebruiker fysiek en mentaal in staat is om alle handelingen in deze handleiding zelfstandig uit te voeren. Zo niet, dan moet er altijd iemand in de buurt zijn die kan helpen.

- Gebruik de Rollz Motion Electric niet als een onderdeel beschadigd, gebroken of gescheurd is, als het ontbreekt of als de displays een foutcode aangeven. Voor oplossingen van deze foutcodes, zie hoofdstuk **Foutcodes en oplossingen**.
- Zorg ervoor dat alle onderdelen op hun plaats vergrendeld zijn voor gebruik.
- Houd de Rollz Motion Electric uit de buurt van open vuur en andere warmtebronnen, zoals elektrische- of gaskachels of sigaretten.
- De gebruiker kan niet in de Rollz Motion Electric rolstoel blijven zitten tijdens vervoer in een taxi, bus of auto, omdat de rolstoel niet voor dit soort gebruik ontwikkeld is.
- De breedte van de rolstoel is groter dan de aanbevolen breedte voor rolstoelen van klasse A. De toegang tot vluchtwegen kan beperkt zijn.
- Bij gebruik van de Rollz Motion Electric met joystickondersteuning of duwondersteuning is het onafgebroken rijbereik 15 kilometer/9,3 mijl. Het rijbereik zal afnemen wanneer de Rollz Motion Electric gebruikt wordt op hellingen, ruw terrein of wanneer deze gebruikt wordt om stoepranden te beklimmen. Ook het gewicht van de gebruiker, het terrein, de status van de accu en het rijgedrag kunnen ook van invloed zijn op de actieradius.
- De Rollz Motion Electric is zeker niet ontwikkeld voor gebruik op het strand.
- Wij adviseren om de veiligheidsgordel te gebruiken als u in de Rollz Motion Electric zit.

### Ongeschikte omstandigheden

- De Rollz Motion Electric kan niet per vliegtuig vervoerd worden, alleen wanneer de accu verwijderd is. De accu kan niet per vliegtuig worden vervoerd.
- De Rollz Motion Electric is niet geschikt voor het beklimmen van trappen en lopen over ruw terrein zoals grind, gras, zand, modder of bosgrond.
- Het is niet toegestaan om de Rollz Motion Electric zittend op een roltrap te gebruiken.
- Het is niet toegestaan om uw Rollz Motion Electric te gebruiken of te parkeren in de regen, sneeuw of andere natte omstandigheden.

- Gebruik uw Rollz Motion Electric niet tijdens het douchen.
- Gebruik uw Rollz Motion Electric niet op wegen met strooizout.
- Gebruik uw Rollz Motion Electric niet te dicht bij een waterbron (b.v. sloot, rivier, meer of zee).
- Gebruik de Rollz Motion Electric niet op een weg met sneeuw, ijs, water of olie.
- Wanneer u zich echter wel met de Rollz Motion Electric op een natte, gladde ondergrond bevindt, manoeuvreer dan voorzichtig en als u merkt dat een van de aandrijfwielen zijn grip verliest, dient u de Rollz Motion Electric onmiddellijk te stoppen om verlies van controle te voorkomen.
- Stel de Rollz Motion Electric niet bloot aan temperaturen kouder dan -5 °C / 23 °F en hoger dan 45 °C / 113 °F.
- Oppervlaktetemperaturen van het product kunnen stijgen / dalen bij blootstelling aan externe warmte- of koude bronnen.
- Niet alle onderdelen van de Rollz Motion Electric zijn 100% waterdicht. Een zeer vochtige omgeving kan roest en corrosie veroorzaken op of in uw Rollz Motion Electric. Wanneer u zich in een zeer vochtige omgeving bevindt, dient u de Rollz Motion Electric onmiddellijk af te dekken om schade te voorkomen.

### **Elektromagnetische interferentie**

Interferentie met elektronische bronnen kan situaties veroorzaken waarin de Rollz Motion Electric niet reageert zoals gebruikelijk. Elektrische bronnen zoals zendmasten, radiozenders, televisiezenders en mobiele telefoons kunnen een magnetisch veld creëren dat blijvende schade kan toebrengen aan het elektrische systeem en/of de remmogelijkheden.

De gebruiker dient het volgende in acht te nemen:

- Gebruik geen draadloze communicatieapparatuur tijdens het gebruik van het elektrisch supportsysteem.
- Blijf uit de buurt van radiobronnen.
- Zet de Rollz Motion Electric onmiddellijk uit als u ongecontroleerde bewegingen opmerkt.

De Rollz Motion Electric kan de werking verstoren van apparaten in zijn omgeving die elektromagnetische velden uitzenden (alarmsystemen van winkels, automatische deuren, etc.).

### Voor wie is dit product bestemd

De Rollz Motion Electric is geschikt voor personen met een gewicht tot 100 kg / 220 lb. / 15 st 10,5 lb, die 160-190 cm / 5 ft 3" tot 6 ft 3" lang zijn (zie **Product Specificaties** ).

De Rollz Motion Electric dient als loopondersteuning voor verminderde mobiliteit, voornamelijk binnenshuis (joystickbestuurd en met duwondersteuning) maar ook buitenshuis (met duwondersteuning en joystickbestuurd, in situaties zoals beschreven in deze handleiding). De Rollz Motion Electric dient als loopondersteuning voor verminderde mobiliteit, voornamelijk binnenshuis maar ook buitenshuis. De Rollz Motion Electric is geschikt voor lopen en duwen op harde, vlakke oppervlakken. In de rollatorstand kan de gebruiker op de zitting rusten.

Het rolstoelpakket biedt de mogelijkheid om de rollator tijdens een rit eenvoudig om te bouwen tot een elektrische rolstoel. De gebruiker kan in de elektrische rolstoel zitten en het elektrisch supportsysteem gebruiken, terwijl hij wordt geduwd en de duwondersteuning is ingeschakeld, of door zichzelf te vervoeren met behulp van de joystickbesturing.

### Voor wie is dit product niet bestemd (contra-indicatie)

De Rollz Motion Electric is niet geschikt voor mensen:

- Met waarnemingsstoornissen waardoor ze obstakels voor zich moeilijk kunnen zien;
- Met ernstige evenwichtsstoornissen waardoor zij niet met een rollator kunnen lopen;
- Die gedesoriënteerd of duizelig worden tijdens het lopen of zitten;
- Die minder dan vijf minuten achter een rollator kunnen blijven staan;
- Met zitproblemen, die het moeilijk maken om comfortabel op de zitting of in de elektrische rolstoel te zitten;
- Mensen met een verminderde handfunctie;
- Met een gewicht hoger dan 100 kg / 220 lb.

### Hergebruik

- De Rollz Motion Electric is geschikt voor hergebruik.
- Geef alle technische documentatie voor veilig hergebruik door aan de nieuwe gebruiker. De nieuwste versie van de handleiding is te vinden op [www.rollz.nl](http://www.rollz.nl).

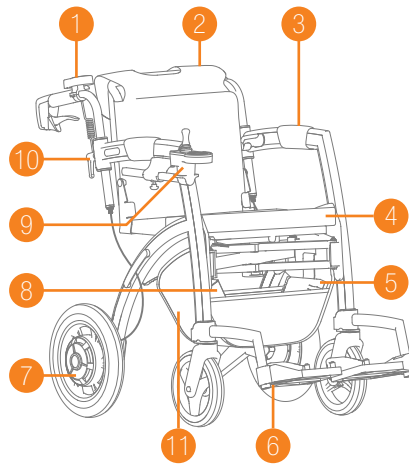
- Let er bij het uitlenen van uw Rollz Motion Electric op dat de gebruiker de handleiding leest voordat hij het product in gebruik neemt.
- Voordat u de Rollz Motion Electric doorgeeft aan een nieuwe gebruiker, moet deze gereinigd en gedesinfecteerd worden en door de dealer gecontroleerd worden op schade om er zeker van te zijn dat de Rollz Motion Electric veilig gebruikt kan worden.

## UITPAKKEN

### Controleer of uw levering compleet is

De Rollz Motion Electric wordt verpakt geleverd. Controleer of alle onderstaande onderdelen zijn meegeleverd volgens **Figuur 2**:

1. Duwondersteuning
2. Rolstoelpakket
3. Armsteunen (2x)
4. Zitkussen
5. Motor controller
6. Verstelbare voetsteunen (2x) met inbusleutel
7. Achterwielmotor (2x)
8. Li-ion accu
9. Joystickbesturing
10. Verstelgrepen
11. Bagageetas
12. 3-in-1 rolstoelpakkethouder
13. Pompje voor luchtbanden



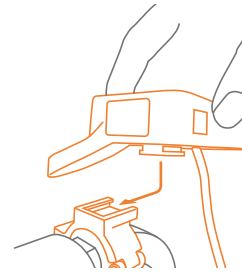
**Figuur 2: Overzicht van de onderdelen van de Rollz Motion Electric.**

### Bevestigen van de duwsteunregelaar en de joystickbesturing

Voordat u de Rollz Motion Electric kunt gebruiken, moeten de twee controllers worden bevestigd. Zonder goed bevestigde controllers kan de Rollz Motion Electric zich onverwacht en onveilig gedragen.

## Bevestigen van de duwsteunregelaar

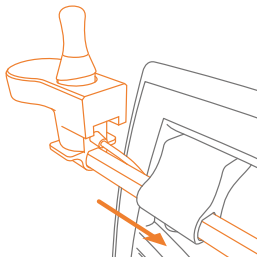
- a. Bevestig de duwsteunregelaar (**Figuur 3**).  
Er is een klik te horen wanneer de juiste positie is bereikt.



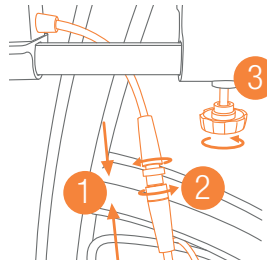
**Figuur 3: Bevestig de duwsteunregelaar.**

## Bevestigen van de joystickbesturing

- a. Zorg ervoor dat de kabel van de joystickcontroller is losgekoppeld voordat u deze bevestigt. Maak de kabel los door de metalen ringen los te maken. Schuif de losgekoppelde joystickcontroller door het gat in de houder. Zorg ervoor dat de kabel tussen het frame en de controller loopt zoals getoond in **Figuur 4**.
- b. Sluit de kabel weer aan, en draai de controller vast door aan de knop te draaien (**Figuur 5**).



**Figuur 4: Schuif de joystickbesturing in de houder.**



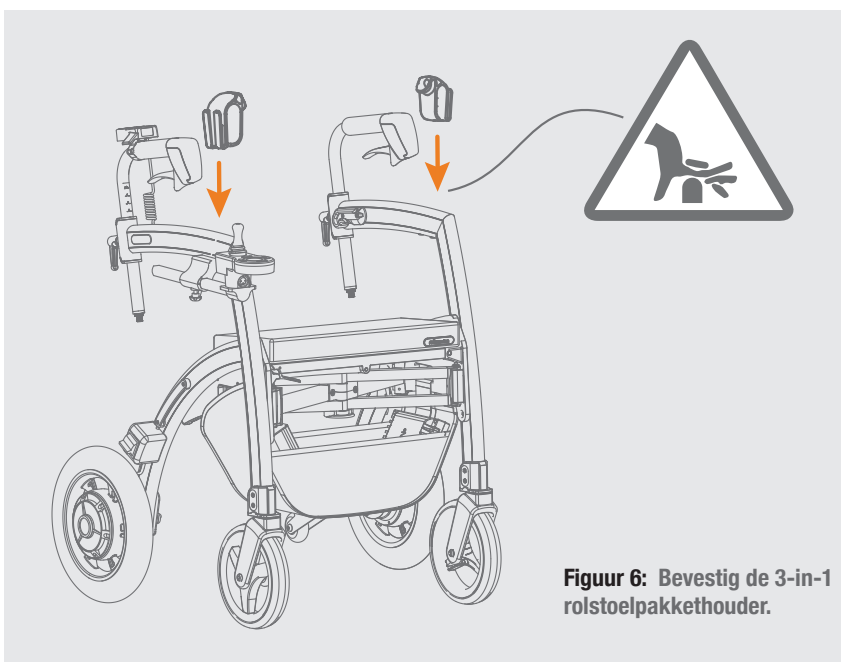
**Figuur 5: Verbind (1&2) en draai de regelaar aan (3).**

## De 3-in-1 rolstoelpakkethouder bevestigen

De 3-in-1 rolstoelpakkethouder kan zonder gereedschap op zijn plaats worden gezet:

- a. Schuif de armleuningen zo ver naar achter als mogelijk, de twee houders moeten voor de armleuningen worden geplaatst, met de tashaken naar buiten, zoals te zien is in **Figuur 6**.
- b. Bevestig de houders door ze op het frame naar beneden te drukken (**Figuur 6**).

- c. De 3-in-1 rolstoelpakkethouder kan tegelijkertijd het rolstoelpakket (boven de zitting), een wandelstok en een boodschappentas bevatten.
- d. Volg de instructies op de handleiding bij de 3-in-1 rolstoelpakkethouder om te zien hoe u het rolstoelpakket, de wandelstok en de tassen in de houders plaatst.
- e. De Rollz Motion Electric kan ook zonder de 3-in-1 rolstoelpakkethouder gebruikt worden.



**Figuur 6: Bevestig de 3-in-1 rolstoelpakkethouder.**



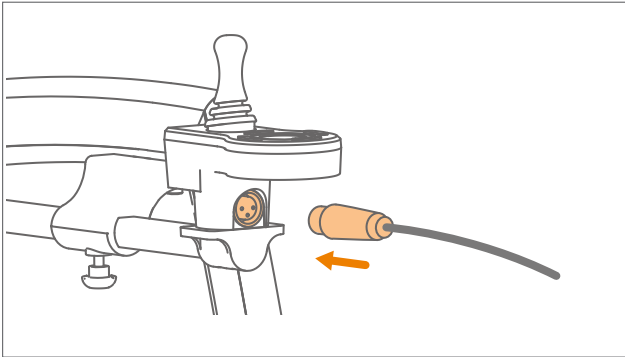
#### **OPMERKING**

Doe niet meer dan 2,5 kg / 5,5 lb aan elke houder en overbelast deze niet.

#### **Opladen van de Rollz Motion Electric**

De accu wordt opgeladen via de oplaadpoort onder de joystickbesturing (**Figuur 7**). Steek de stekker van de meegeleverde oplader in de oplaadpoort. Steek de stekker in de oplaadpoort. Steek de oplader in het stopcontact. De Rollz Motion Electric wordt opgeladen als het indicatielampje op de oplaadadapter rood wordt. Wanneer de accu volledig is opgeladen wordt het indicatielampje groen. Het opladen duurt 4-5 uur.





**Figuur 7: Steek de stekker in de laadpoort.**



### Waarschuwingen

- Gebruik geen metalen voorwerpen of gereedschap om de accu op de oplader aan te sluiten.
- Beweeg de Rollz Motion Electric niet wanneer de accu wordt opgeladen.
- Gebruik geen imitatie onderdelen op de Rollz Motion Electric (zoals motor en oplader).
- Draai of knijp niet in het snoer van de oplader.
- Roken en vlammen in de buurt van een oplader zijn verboden.
- Houd de oplader uit de buurt van kinderen en huisdieren.
- Wanneer zich een storing in het elektronische circuit voordoet, informeer dan zo snel mogelijk uw leverancier.
- Plaats de accu en de lader tijdens het laden in een open ruimte. Plaats geen voorwerpen op de lader, de accu of het snoer. Plaats tijdens het opladen niet in de buurt van warmtebronnen.
- Gebruik de accu en lader niet bij temperaturen onder  $-5^{\circ}\text{C}$  /  $23^{\circ}\text{F}$  en boven  $40^{\circ}\text{C}$  /  $113^{\circ}\text{F}$ .
- Houd gereedschap en andere metalen voorwerpen uit de buurt van de accu. Contact met metalen voorwerpen kan schokken en kortsluiting veroorzaken.
- Houd de accu uit de buurt van brandbare materialen. Vermijd blootstelling aan open vuur en vonken.
- De accu bevat bijtende stoffen. Open de accu nooit.

## Verpakkingsmateriaal recycleren

Al het verpakkingsmateriaal kan worden gerecycled. De verpakkingsdozen kunnen bij het oud papier worden ingeleverd. De beschermende schuimblokken zijn van plastic. Deze blokken en de plastic zakken kunt u inleveren bij het plastic.

TIP

Wanneer u uw doos bewaart zal dit het versturen van uw Rollz Motion Electric vergemakelijken.



### WAARSCHUWING

Houd plastic verpakkingsmateriaal uit de buurt van kinderen vanwege verstikkingsgevaar.

## GEBRUIK ALS ROLLATOR

De Rollz Motion Electric wordt compleet geleverd. U hoeft alleen de duwondersteuning en joystickbesturing (zie **Bevestigen van de duwsteunregelaar en de joystickbesturing**) te bevestigen en de handgrepen op de juiste hoogte in te stellen. Let op dat u de Rollz Motion Electric niet als rollator gebruikt met de elektrische ondersteuning ingeschakeld.

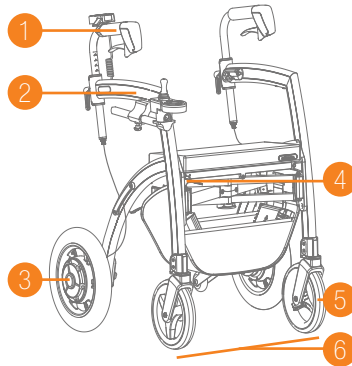
Lees alle punten goed door voordat u de Rollz Motion Electric rollator gaat gebruiken:

- Wat zit waar?
- Uitklappen & inklappen
- Transport
- Hoogte afstellen voor de juiste houding
- Lopen met de Rollz Motion Electric - als een rollator
- Remmen bedienen
- Rusten op de Rollz Motion Electric
- De tas gebruiken
- Over drempels en stoepranden gaan

## Wat zit waar?

### (Figuur 8):

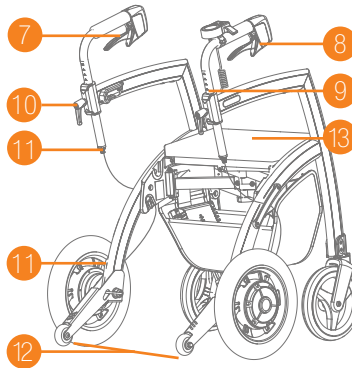
1. Handgrepen
2. Frame
3. Achterwielen met trommelremmen
4. Rode ontgrendelingshendel voor het inklappen van de rollator
5. Voorwielen
6. Voorkant



Figuur 8: Wat zit waar.

### (Figuur 9):

7. Handremmen
8. Parkeerremhendels
9. Hoogte indexatie
10. Verstelgrepen
11. Stelschroeven voor het afstellen van de remmen
12. Anti-kiephulp
13. Zitkussen



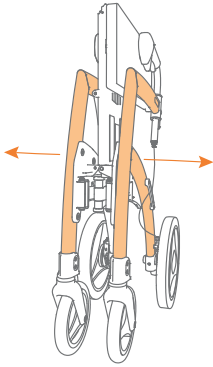
Figuur 9: Wat zit waar.

## Uitklappen en inklappen

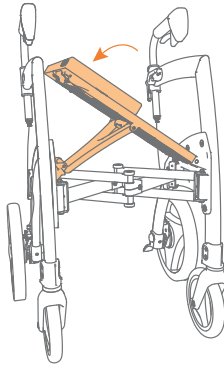
Opgevouwen vormt de Rollz Motion Electric een compact pakket dat in de meeste auto's past.

Uitklappen gaat als volgt:

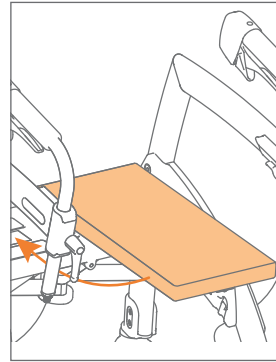
- a. Trek de zijanten aan het frame naar buiten tot de rollator bijna geheel is uitgeklaapt (**Figuur 10**).
- b. Duw de zitting met de hand naar beneden tot deze vastklikt.  
Belangrijk: de zitting zit pas goed vast wanneer u een duidelijke 'klik' hoort (**Figuur 11**).
- c. Trek het zitkussen los en zit dit recht terug (**Figuur 12**).



**Figuur 10:** Uitklappen door het frame naar buiten te trekken.



**Figuur 11:** Duw de zitting omlaag tot u een klik hoort.



**Figuur 12:** Haal het kussen eraf en plaats het op de zitting.

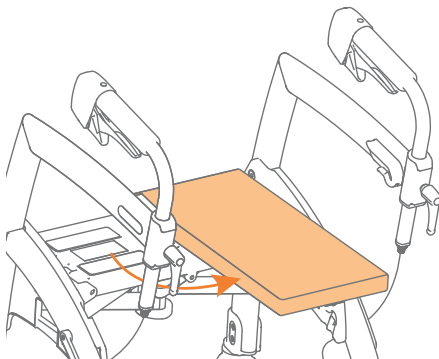


### VOORZICHTIG

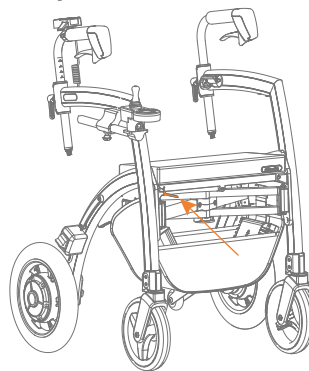
Controleer voor gebruik of de zitting is vastgeklikt. Trek de zitting in het midden voorzichtig licht omhoog om te controleren of deze goed vergrendeld zit vastgeklikt. Pas dan kan de Rollz Motion Electric veilig gebruikt worden.

Inklappen gaat als volgt:

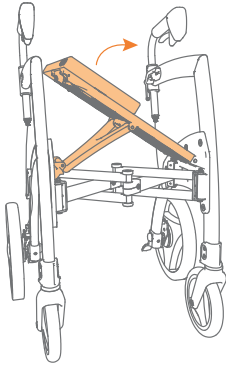
- a. Voordat u het frame inklapt, moet de mand onder de zitting worden geleegd, kabels, motorbesturing en accu moeten in de mand onder de zitting blijven.
- b. Verwijder het rolstoelpakket als dit op de rollator is geplaatst. Lees **Verwijderen van het rolstoelpakket** voor instructies.
- c. Trek het zitkussen weg, draai het 90 graden en plaats het kruislings aan de kant van de rode handgreep (**Figuur 13**).



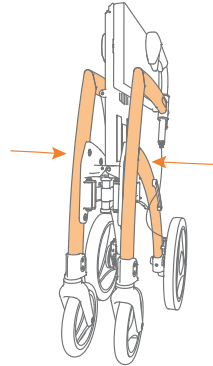
**Figuur 13:** Plaats het zitkussen kruislings.



**Figuur 14:** Druk op de rode hendel terwijl u de zitting optilt.



**Figuur 15:** Til de zitting gedeeltelijk op.



**Figuur 16:** Duw het frame verder samen.

- d. Duw de rode ontgrendelingshendel onder de zitting (**Figuur 14**) en til de zitting gedeeltelijk op (**Figuur 15**).
- e. Duw de zijkenen van het frame naar elkaar toe tot de rollator volledig opgevouwen is (**Figuur 16**).



**OPMERKING**

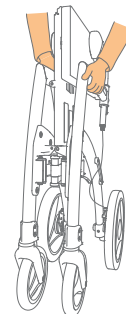
Wanneer u het frame inklaapt, moet de mand onder de zitting alleen het accupakket, de kabels en de motorbesturing bevatten, en moet het rolstoelpakket worden losgemaakt.

**Transport**

Het is verplicht om uw Rollz Motion Electric uit te schakelen tijdens transport, het wordt sterk aanbevolen om de parkeerrem aan te trekken.

Zorg ervoor dat uw Rollz Motion Electric tijdens transport in de daarvoor bestemde opbergruimte, zoals de kofferbak, wordt geplaatst. Zorg ervoor dat de Rollz Motion Electric tijdens transport stevig staat en niet vrij kan bewegen. Dit voorkomt schade aan u of uw Rollz Motion Electric. Zorg er ook voor dat u de joystickbesturing en duwcontroller loskoppelt en apart vervoert.

Til de Rollz Motion Electric alleen op aan de framedelen zoals op onderstaande afbeelding (**Figuur 17**).



**Figuur 17:** Hoe de Rollz Motion Electric op te tillen.

## Hoogte afstellen voor de juiste houding

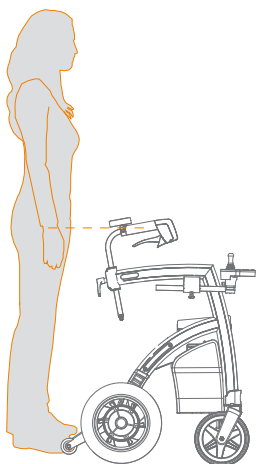
Het instellen van de juiste hoogte (**Figuur 18**) is cruciaal voor een optimaal gebruik van de Rollz Motion Electric. De hoogte kan worden ingesteld tussen de minimale en maximale stand. Zo kan de Rollz Motion Electric eenvoudig worden aangepast aan individuele behoeften.

- a. Om te bepalen wat de juiste hoogte is, gaat u tussen de handgrepen van de Rollz Motion Electric staan met afhangende armen. De handgrepen horen ter hoogte van uw polsen te staan (**Figuur 18**).
- b. Draai de verstelgrepen van de handgrepen los tegen de klok in (**Figuur 19**) en (**Figuur 20**).
- c. Schuif de handgrepen op de voor u juiste hoogte (**Figuur 21**).
- d. Controleer of beide handgrepen even hoog staan met behulp van de hoogteindexatie.
- e. Verzeker u ervan dat de handgrepen recht boven de zijkanten van de Rollz Motion Electric staan en naar de voorkant wijzen.
- f. Draai de verstelgrepen met de klok mee om ze vast te zetten (**Figuur 22**) en (**Figuur 23**).
- g. Zet de verstelgrepen netjes verticaal, zodat deze recht naar beneden wijzen. Dit doet u door de verstelgreep zachtjes naar buiten te trekken en in de juiste stand te draaien (**Figuur 24**).

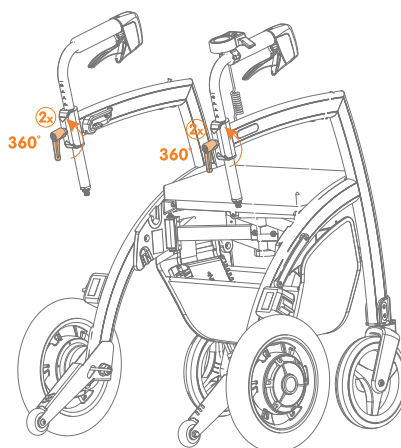


### VOORZICHTIG

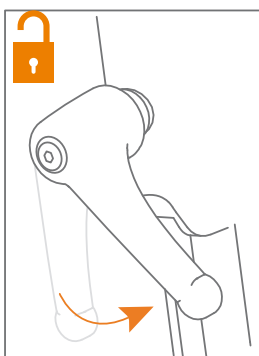
Plaats beide handgrepen altijd op dezelfde hoogte voor optimale stabiliteit. Een onjuiste hoogte-instelling veroorzaakt een onbalans die het risico op letsel kan vergroten. Indien de rollator niet op de juiste hoogte is ingesteld, kan gebruik leiden tot nek- of rugpijn.



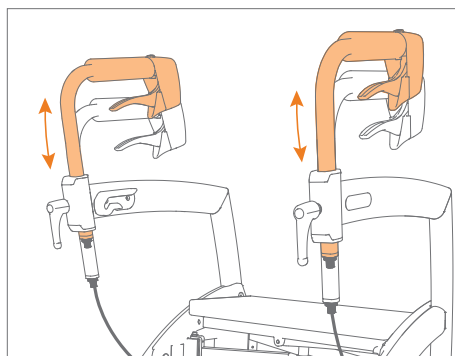
**Figuur 18:** Bepaal de juiste hoogte.



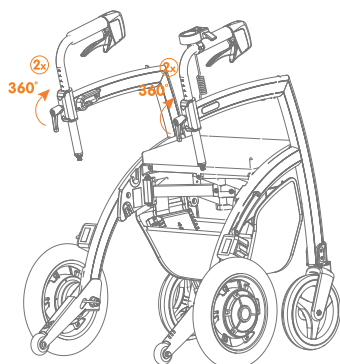
**Figuur 19:** Maak de verstelgrepen los.



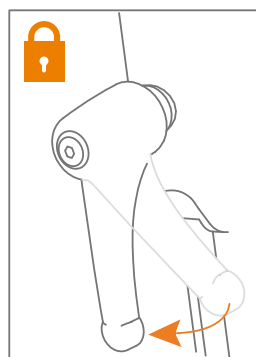
**Figuur 20:** Draai tegen de klok in.



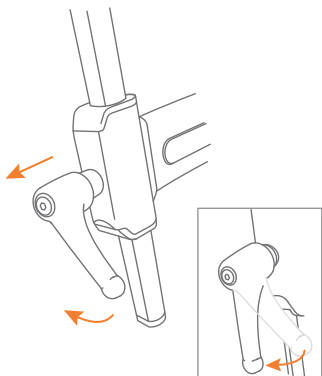
**Figuur 21:** Zet op de juiste hoogte.



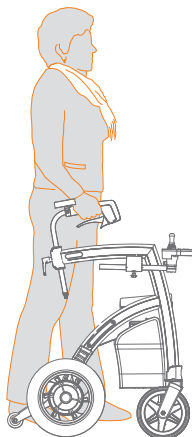
**Figuur 22:** Draai de verstelgrepen vast.



**Figuur 23:** Draai vast.



**Figuur 24:** Zet de verstelgreep in de juiste positie.



**Figuur 25:** Loop rechtop, dicht bij de rollator.

### Lopen met de Rollz Motion Electric - als rollator

Dankzij het ergonomische design loopt u met de Rollz Motion rechtop, stabiel en comfortabel.

- a. Zorg dat de handgrepen op de voor u juiste hoogte zijn afgesteld. Zie hierboven bij **Hoogte afstellen voor de juiste houding**.
- b. Sta tussen de handgrepen wanneer u loopt. Zo loopt u zo dicht mogelijk bij de rollator, dat geeft de meeste steun (**Figuur 25**). U kunt op de Rollz Motion Electric leunen als dit noodzakelijk is.
- c. Probeer uw armen en handen ontspannen te houden, dat voorkomt te veel spanning op lichaamsdelen.
- d. Blijf uw omgeving in de gaten houden. Richt uw blik niet naar beneden maar naar voren, dat is ook beter voor de balans.



#### VOORZICHTIG

Kijk tijdens het lopen met de rollator goed voor u uit om een veilige route te bepalen.



#### WAARSCHUWING

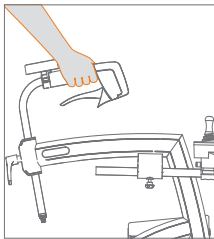
Voorkom dat u met een of beide wielen in een gat, kuil of flinke oneffenheid rijdt. Dan kan de rollator schuin voorover kantelen waarbij u zou kunnen vallen. Daarbij zou de rollator ook kunnen beschadigen.



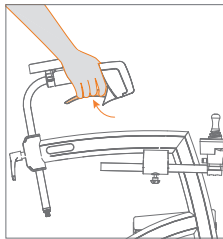
## Remmen bedienen

De Rollz Motion heeft geavanceerde trommelremmen, die werken onder alle weersomstandigheden. De remmen zijn gemakkelijk te bedienen en kunnen gevarieerde remkracht leveren tijdens het rijden. Des te harder u in de remgrepen knijpt, des te meer remt u af. Ook kunt u de remmen vastzetten wanneer u de Rollz Motion parkeert, zodat hij niet weggrolt. Test de remkracht regelmatig, zeker voor het eerste gebruik, om te ervaren hoe de remmen werken.

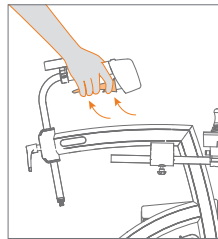
- a. Houd tijdens het lopen de vingers zo mogelijk losjes om de handgrepen van foam (**Figuur 26**). U kunt ze ook om de remgrepen houden, met uw duim aan de binnenzijde van de handgreep.
- b. Knijp in de remgrepen om te remmen (**Figuur 27**).
- c. Wilt u de parkeerrem gebruiken om ervoor te zorgen dat de rollator niet weggrolt? Knijp eerst de remgrepen in en knijp tegelijkertijd de grijze parkeerremhendel in. Laat vervolgens de remmen los. Uw rollator staat nu in de parkeerstand (**Figuur 28**).
- d. Om de rollator uit de parkeerstand te halen, knijpt u de remgrepen weer in en laat u ze los (**Figuur 29**). De rollator staat niet meer in de parkeerstand.



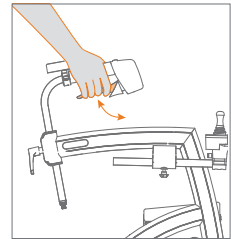
**Figuur 26: Rijden.**



**Figuur 27: Remmen.**



**Figuur 28: De parkeerrem inschakelen.**



**Figuur 29: Zet de parkeerrem vrij.**



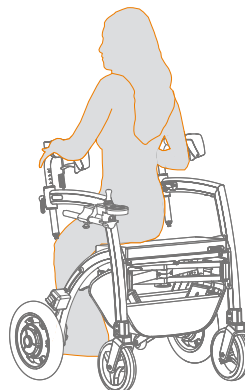
### WAARSCHUWING

Als u loopt en u drukt te hard de remgrepen in, kan de Rollz Motion Electric te snel stoppen.

## Rusten op de Rollz Motion Electric

De Rollz Motion Electric rollator ondersteunt u tijdens het lopen. U kunt er ook op zitten wanneer u even wilt pauzeren.

- a. Trek altijd de parkeerrem aan voordat u probeert te gaan zitten (zie **Remmen bedienen**), anders kan de Rollz Motion Electric weggrollen terwijl u probeert te gaan zitten of terwijl u erop zit.
- b. Ga van achteren op de rollator zitten (**Figuur 30**). Zorg er altijd voor dat de Rollz Motion Electric rollator in de parkeerstand staat.



**Figuur 30: Zitten op de rollator zitting.**



### VOORZICHTIG

De rollator, dus zonder het rolstoelpakket, is niet geschikt om uzelf voort te bewegen terwijl u zit. Deze is niet ontworpen als zogenaemde trippelstoel. U zou ermee kunnen omvallen, met alle risico's van dien.

### De tas gebruiken

- a. U kunt vanaf de achterkant van de Rollz Motion Electric onder de zitting in de tas grijpen.
- b. De tas kan een maximaal gewicht van 6 kg / 13 lb dragen.
- c. Wanneer de tas leeg is, behalve dat de accu, kabels en motor controller erin zit, kan deze bevestigd blijven bij het inklappen van het frame.

### LET OP

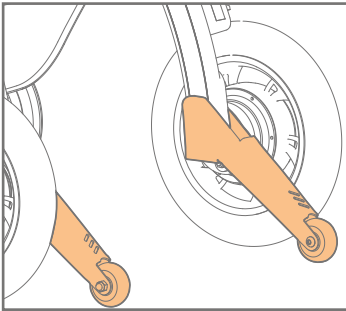
Overlaad de tas niet.

### Over drempels en stoepranden gaan

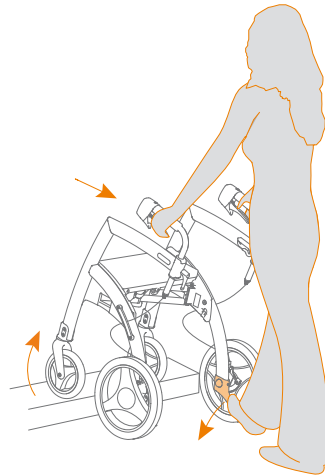
Om gemakkelijk op stoepen tot een hoogte van ongeveer 12 cm / 4,72 inch te komen, of over drempels, heeft de Rollz Motion twee drempelhulpen.

- a. Zet de Rollz Motion rollator met de voorwielen tegen de drempel of stoeprand aan.

- b. Duw de linker of rechter anti-kiephulp (**Figuur 31**) naar beneden met uw linker of rechter voet, terwijl u met uw handen de Rollz Motion Electric naar u toe kantelt. De voorwielen komen zo van de grond. Duw nu de Rollz Motion naar voren totdat u met de voorwielen duidelijk op de stoep of over de drempel heen bent (**Figuur 32**).
- c. Laat de voorwielen op de stoep of grond zakken.
- d. Duw dan rollator verder naar voren totdat ook de achterwielen geheel op de stoep of over de drempel staan.



**Figuur 31:** Gebruik de anti-kiephulp.



**Figuur 32:** Over een drempel of op de stoep gaan.

## VAN ROLLATOR NAAR ELEKTRISCHE ROLSTOEL

De Rollz Motion wordt geleverd met een rolstoelpakket. Dit pakket kunt u aan de Rollz Motion bevestigen zodra u vertrekt (**Figuur 33**). Hierdoor verandert uw rollator onderweg in minder dan een minuut in een transportrolstoel. U vouwt het rolstoelpakket uit, plaatst de voetsteunen en draait de handgrepen om. Vervolgens kunt u al plaatsnemen in de elektrische rolstoel. Met het elektrisch supportsysteem kunt u ook in de stoel zitten en zelf rijden met behulp van de joystick, of de persoon die de elektrische rolstoel duwt laten ondersteunen. De elektrische rolstoel kan net zo gemakkelijk weer in een rollator worden veranderd.



### VOORZICHTIG

De Rollz Motion Electric kan maximaal 100 kg of 220 lb dragen. Deze elektrische rolstoel is bedoeld voor gebruik door slechts één persoon tegelijk. Wanneer meerdere personen op de elektrische rolstoel of rollator zitten, kan de Rollz Motion Electric beschadigd raken.



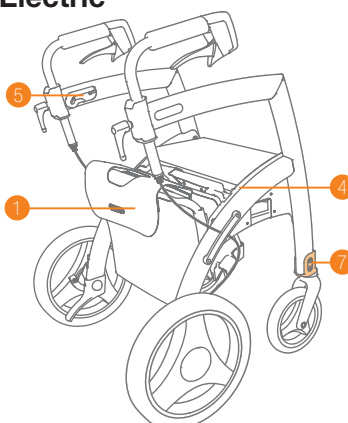
### WAARSCHUWING

Tijdens vervoer in een rolstoeltoegankelijke taxi, bus, trein of ander voertuig kan de gebruiker niet in de Rollz Motion Electric blijven zitten.

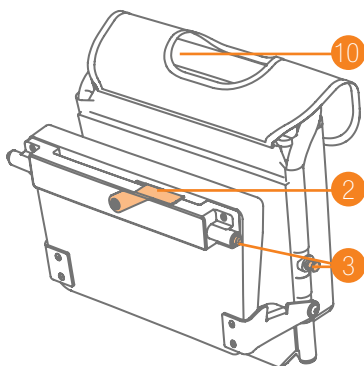
De elektrische rolstoel is hier niet voor bedoeld. De Rollz Motion Electric kan niet per vliegtuig worden vervoerd, alleen als de accu is verwijderd.

## Wat zit waar op de Rollz Motion Electric

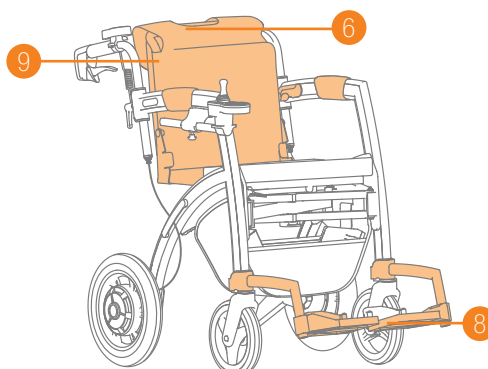
1. Rolstoelpakket
2. Rode hendel
3. Vergrendelbouten
4. Uitsparing achter de zitting
5. Bovenste geleiders op het frame
6. Rugleuning
7. Voetsteunhouders
8. Voetensteunen
9. Armleuningen
10. Handvat rolstoelpakket



**Figuur 33:** Rollz Motion Electric rollator met bevestigd rolstoelpakket.



**Figuur 34:** Rolstoelpakket.



**Figuur 35:** Rollz Motion Electric in elektrische rolstoel met duwend persoon positie.

## Bevestigen van het rolstoelpakket

### LET OP

Het forceren van de rode hendel kan de Rollz Motion Electric beschadigen.

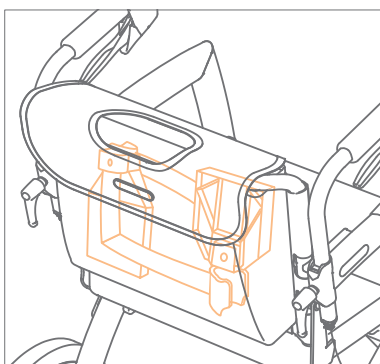
- a. Pak het Rollz Motion rolstoelpakket en houd de taskant naar u toe gericht **(Figuur 36)**.
- b. Doe met uw andere hand de rode hendel omhoog. Hierdoor gaan de vergrendelingspinnen naar binnen.
- c. Plaats het rolstoelpakket in de uitsparingen achter de zitting tegen de zitting **(Figuur 37)** en **(Figuur 38)**.
- d. Duw de rode hendel zonder kracht omlaag om het rolstoelpakket te vergrendelen. Hierdoor gaan de vergrendelingspinnen naar buiten zodat het pakket goed vast zit **(Figuur 39)**. U kunt nu gewoon met de Rollz Motion Electric rollator lopen.
- e. Als de rode hendel niet naar beneden gaat zonder te forceren, neem dan het rolstoelpakket uit de uitsparingen achter de zitting en probeer het opnieuw. Neem contact op met uw leverancier als u na verschillende pogingen nog steeds problemen ondervindt.

## Het rolstoelpakket omhoogtrekken

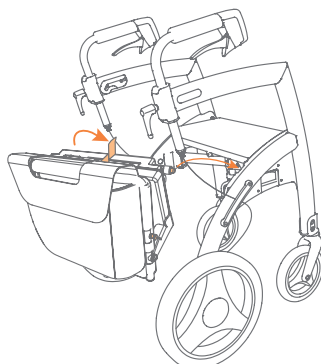
- a. Voor vertrek bevestigt u het rolstoelpakket aan de Rollz Motion Electric **(Figuur 37)**.
- b. Wanneer u de rollator wilt ombouwen in rolstoel, klapt u het rolstoelpakket uit. Pak de handgreep van het rolstoelpakket vast en trek de rugleuning naar boven tot hij niet verder gaat en richting de voorzijde tot halverwege het frame **(Figuur 40)**.
- c. Trek vervolgens de rugleuning verder omhoog en naar achter **(Figuur 41)** tot de vergrendelings-pinnen in de bovenste geleiders op het frame klikken **(Figuur 42)**. Glijden de bovenste vergrendelings-pinnen niet soepel in de geleiders op het frame? Duw de rugleuning dan weer naar voren tot halverwege het frame en probeer het opnieuw.

### LET OP

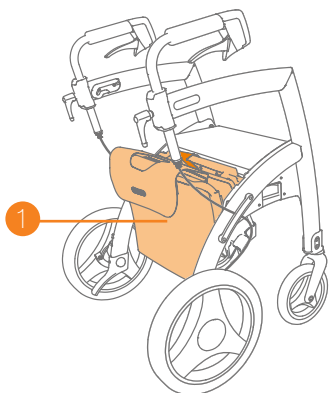
Zet geen kracht wanneer het uitklappen niet soepel gaat. Hierdoor kan het rolstoelpakket beschadigen. Mocht het uitklappen na een aantal pogingen niet lukken, neem dan contact op met uw leverancier.



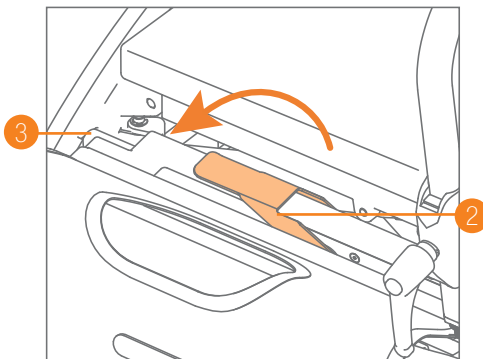
**Figuur 36:** De voetensteunen in de tas van het rolstoelpakket.



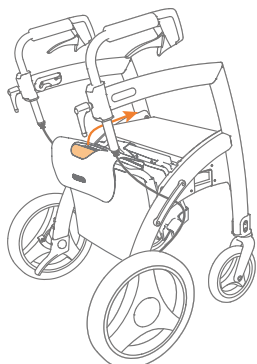
**Figuur 37:** Bevestigen van het rolstoelpakket.



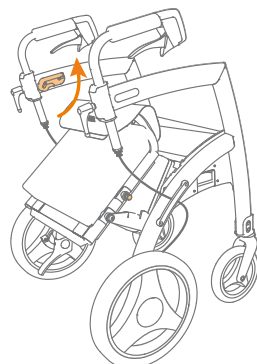
**Figuur 38:** Rolstoelpakket bevestigd.



**Figuur 39:** Vergrendel het rolstoelpakket.



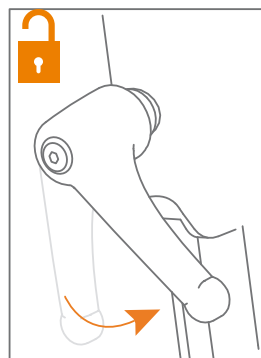
**Figuur 40:** Rugleuning naar boven en naar voren trekken.



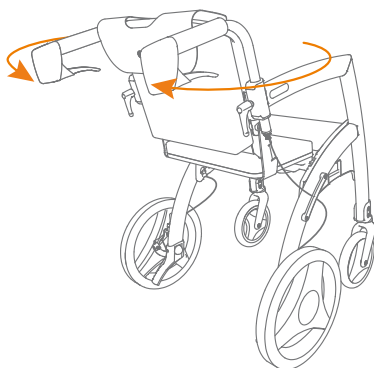
**Figuur 41:** Rugleuning verder omhoog trekken.



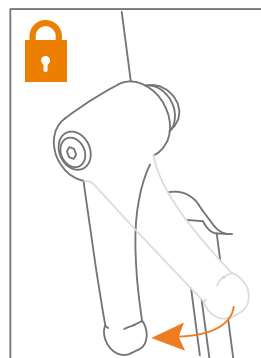
**Figuur 42:** Rugleuning in geleiders klikken.



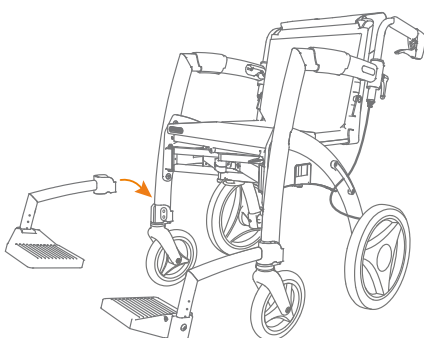
**Figuur 43:** Verstelgreep losdraaien.



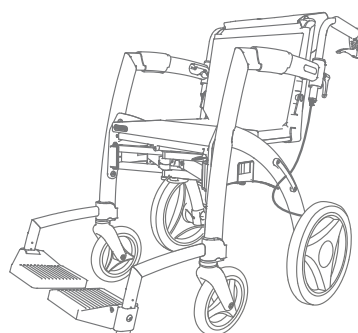
**Figuur 44:** Handgrepen omdraaien.



**Figuur 45:** Verstelgreep vastdraaien.



**Figuur 46:** Plaats de voetensteunen.



**Figuur 47:** Elektrische rolstoel is klaar voor gebruik.

- d. Draai de verstelgrepen van de handgrepen tegen de klok in los (**Figuur 43**) en draai de handgrepen om, totdat ze recht naar achteren wijzen (**Figuur 44**). Stel de juiste hoogte in voor de duwer van de elektrische rolstoel en draai de verstelgrepen met de klok mee weer vast (**Figuur 45**). Zie ook **Hoogte afstellen voor de juiste houding**.
- e. Neem de voetensteunen uit de tas van het rolstoelpakket en plaats ze aan de voorkant van de Rollz Motion Electric, in de voetensteunhouders op het frame. Schuif ze vanaf de bovenkant van de voetensteunhouders naar beneden (**Figuur 46**). Oefen geen kracht uit als de voetensteunen niet soepel over de voetensteunhouders glijden. Haal ze eruit en probeer het opnieuw.
- f. De elektrische rolstoel is nu klaar voor gebruik (**Figuur 47**).

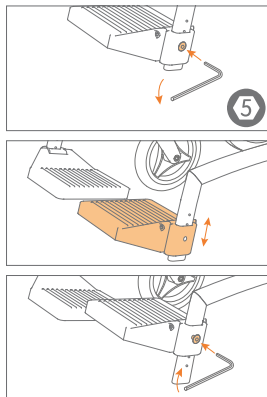


### VOORZICHTIG

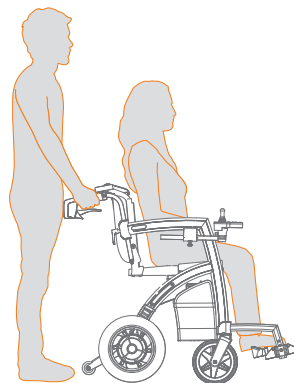
Controleer voordat u gaat zitten altijd of de vergrendelingspinnen correct geborgd zijn in de geleiders. Indien een van de vergrendelingspinnen niet is geborgd, gaat u dan niet zitten maar plaats de zitting opnieuw.

### Instellen van de voetensteunen (eenmalig)

De Rollz Motion wordt geleverd met twee op maat verstelbare voetensteunen. U kunt deze op de gewenste hoogte zetten met de bijgeleverde inbussleutel maat 5 (**Figuur 48**). De juiste hoogte is afhankelijk van de lengte van het onderbeen en van de manier van zitten van de gebruiker. Bij te hoog afgestelde voetensteunen komt er te veel druk op het zitvlak. Bij te laag afgestelde voetensteunen is de druk op de bovenbenen te groot. Bij een juiste positie zit de gebruiker met de onderbenen in een hoek van ongeveer 90 graden (**Figuur 49**). De achterkant van de voeten kan tegen de stof rusten.

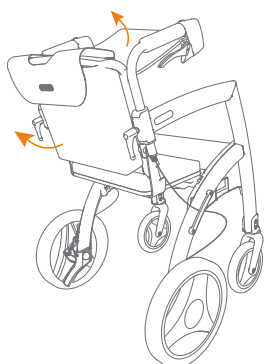


**Figuur 48:** Pas de hoogte van de voetensteunen aan met een inbussleutel maat 5.

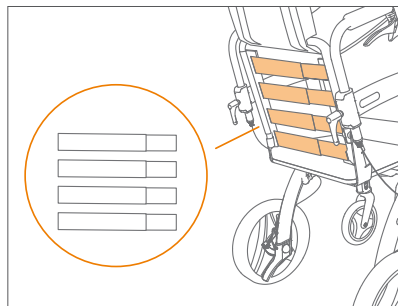


**Figuur 49:** Juiste zitpositie in de rolstoel.

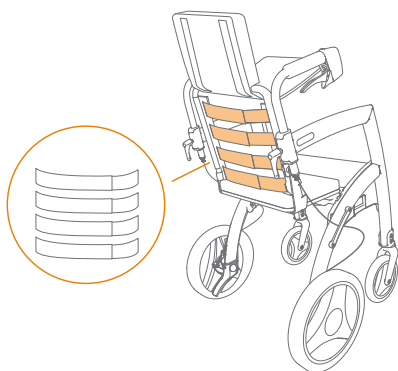




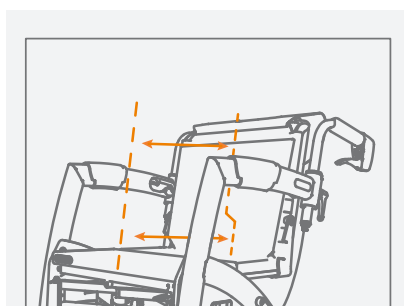
**Figuur 50:** Maak de verstelbanden vrij.



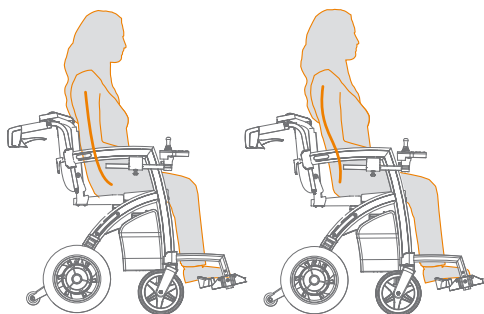
**Figuur 51:** Vier instelbare verstelbanden.



**Figuur 52:** Maak losser voor meer zitdiepte.



**Figuur 53:** Laagste twee verstelbanden losser.



**Figuur 54:** Voor en na het afstellen van de verstelbanden, aan de rechterkant zie je de correcte zitpositie.



## Rugleuning instellen (eenmalig)

In de rugleuning van het Rollz rolstoelpakket zitten afstelbanden verborgen. Voor optimaal zitcomfort is het van belang deze afstelbanden aan te passen aan de gebruiker. Dit hoeft alleen bij het eerste gebruik – of als de gebruiker ingrijpend van gewicht veranderd is.

- a. Maak van de Rollz Motion Electric een elektrische rolstoel (**Figuur 47**) en zorg dat de voetsteunen uit de rolstoelpakket-tas zijn gehaald.
- b. Trek de tas van het rolstoelpakket en de rugleuningbekleding aan de onderkant omhoog (**Figuur 50**). De verstelbanden zijn nu duidelijk zichtbaar (**Figuur 51**).
- c. Verstel de banden door het klittenband los te trekken en weer vast te maken op de gewenste afstelling (**Figuur 52**).
- d. In de meeste gevallen zullen de onderste banden losser afgesteld worden dan de bovenste twee banden (**Figuur 53**). Bevestig het klittenband zo dat het bekken van de gebruiker goed rechtop staat en de rugleuning de rug goed ondersteunt.
- e. Doe de rugbekleding en de rolstoelpakkettas weer naar beneden.
- f. Probeer uit of het zo goed zit in een correcte zithouding (**Figuur 54**).



### VOORZICHTIG

Zorg ervoor dat de riemen in de rugleuning goed zijn afgesteld (zie **Setting the backrest**). Als de zitdiepte groot genoeg is, wordt het gewicht van de persoon zo ver mogelijk naar achteren in de stoel geplaatst. Dat is veiliger voor de gebruiker, maar ook gemakkelijker voor de duwer om te duwen.

## Het rolstoelpakket naar beneden klappen

Volg de volgende stappen om van de elektrische rolstoel een rollator te maken:

- a. Verwijder de voetsteunen. Laat ze omhoog glijden tot ze uit de voetsteunhouders komen. Berg ze op in de tas van het rolstoelpakket, gespiegeld ten opzichte van elkaar (**Figuur 55**).
- b. Pak de handgreep van het rolstoelpakket vast en duw de rugleuning naar voren tot halverwege het frame. Duw vervolgens de rugleuning naar achter en naar beneden tot de rugleuning tegen de zitting aan zit. Dan is het rolstoelpakket ingeklapt.

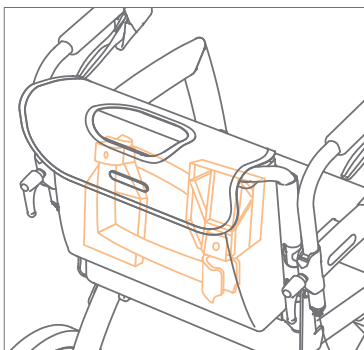
- c. Draai de verstelgrepen tegen de klok in los en draai de hendels naar buiten totdat ze recht naar voren wijzen. Stel de voor u juiste hoogte in en draai de verstelgrepen rechtsom vast. Zie **Hoogte afstellen voor de juiste houding**.
- d. Het rolstoelpakket blijft na het inklappen gewoon zitten tijdens het lopen.

### Verwijderen van het rolstoelpakket

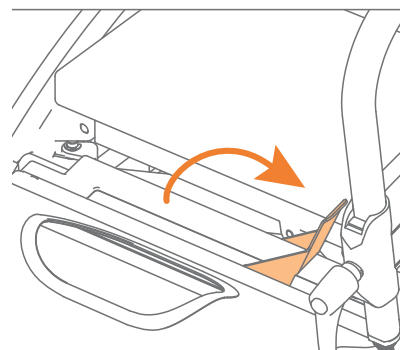
- a. Trek de rode hendel zonder kracht omhoog. Op deze manier worden de vergrendelingsbouten vastgezet en wordt het rolstoelpakket ontgrendeld (**Figuur 56**).
- b. Pak de handgreep van het rolstoelpakket en trek deze zonder kracht omhoog.
- c. Doe vervolgens de rode hendel weer naar beneden.
- d. Nu kunt u het pakket opbergen, bijvoorbeeld als u de Rollz Motion Electric in uw auto vervoert. De voetsteunen blijven in het pakket zitten.

### Veiligheidsinstructies

In het donker of bij hevige regenval kan het zicht op de weg worden belemmerd. Kijk samen naar de beste en veiligste looproute.



**Figuur 55:** Voetsteunen gespiegeld opbergen.



**Figuur 56:** Ontgrendelen van het rolstoelpakket.

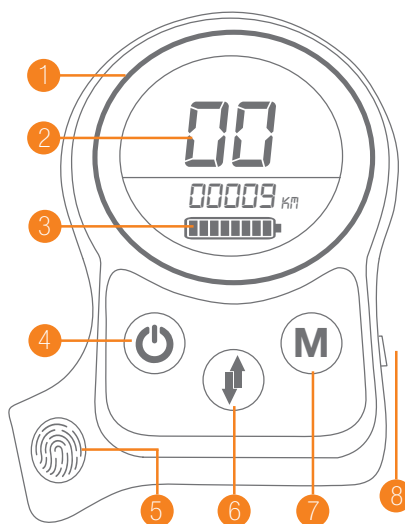
## GEBRUIK ALS ELEKTRISCHE ROLSTOEL - met een duwer die de elektrische rolstoel voortduwt

### Jullie snelheid afstemmen

Wie in de elektrische rolstoel zit en voor het eerst geduwd wordt, heeft tijd nodig om eraan te wennen. Hetzelfde geldt voor de duwende persoon. Het beste is om voortdurend af te stemmen met de persoon in de elektrische rolstoel over het tempo en de te volgen route. Zo raken jullie beiden gewend aan de nieuwe situatie. Loop langzaam, zodat je je op tijd kunt aanpassen.

#### (Figuur 57):

1. Multifunctioneel display
2. Versnellingsdisplay
3. Accu display
4. Aan/uit knop
5. Power assist
6. Richting
7. Versnelling
8. Oplaadpoort (niet in gebruik)




**Figuur 57: Duwsteenregelaar knoppen en componenten.**

### Gebruik van de elektrische ondersteuning - met een duwend persoon

Terwijl u in de stoel zit, kan de persoon die u duwt de duwondersteuning activeren door op de aan-knop te drukken.

De volgende stappen kunnen alleen plaatsvinden als de persoon die de rolstoel duwt zijn handen op de handgreep heeft, als de persoon zijn handen van de handgreep neemt, zal de duwondersteuning stoppen.

Door het indrukken van  kan de persoon die de rolstoel duwt de voorwaartse beweging veranderen in een achterwaartse beweging.

Door het indrukken van de **IMI** kan de persoon die de rollator duwt door de verschillende versnellingen gaan:

- 01: Lichte ondersteuning, maximumsnelheid 3,0 km/h / 1,9 mph
- 02: Medium ondersteuning, maximumsnelheid 4,3 km/u / 2,7 mph
- 03: Hoge ondersteuning, maximumsnelheid 5,5 km/u / 3,4 mph

Automatische vergrendeling in modus 01~03: de automatische vergrendeling treedt op 5 seconden na het verlaten van de handgreep, dan zal het ondersteuningssysteem automatisch vergrendelen, het scherm toont "LL", De Rollz Motion Electric vergrendelt en kan niet bewegen.

Maak de vergrendeling los door de handgreep weer vast te houden en op een willekeurige knop of toets van de duwondersteuning te drukken, "LL" verdwijnt en de vergrendeling wordt opgeheven.

## Bekrachtigingsmodussen

**Constante bekrachtiging:** Houd de handgreep vast,, (pictogram  staat aan), houd uw duim op de knop (pictogram  staat aan) het voertuig rijdt automatisch met de ingestelde versnelling. Als u van richting wilt veranderen, bijvoorbeeld van vooruit naar achteruit, drukt u op de middelste knop . Als het LCD-pictogram  knippert, bevindt u zich in de achteruitrijmodus. Als u achteruit gaat lopen, hoort u een piepend geluid.

**Automatische bekrachtiging:** Houd de handgreep vast, duw de Rollz Motion Electric en de automatische bekrachtiging wordt automatisch ingeschakeld. Hoe meer de rolstoel wordt geduwd, hoe meer kracht de automatische bekrachtiging geeft. Hoe hoger de versnelling, hoe meer kracht. De automatische bekrachtiging werkt wanneer u de rolstoel vooruit duwt en achteruit trekt. Tijdens het afdalen kan de automatische bekrachtiging weerstand bieden.

Als u bergopwaarts loopt en de automatische ondersteuning onvoldoende is, kan de constante ondersteuning worden gestart door op de knop te drukken, om een constante loopsnelheid te creëren.

**Anti-val:** Terwijl u de rolstoel duwt en de snelheid van de rolstoel te hoog is, remt de rolstoel automatisch. In dit geval verschijnt op het displayscherm "EE". Om dit op te lossen en de rolstoel verder te duwen: neem uw handen weg van de handgreep, "EE" verdwijnt en de anti-val modus wordt weer ingeschakeld.



### WAARSCHUWING

- Rijd niet in een gat of op oneffen terrein. De elektrische rolstoel kan kantelen als de persoon erin zit.
- Niet hard tegen richels of verhogingen botsen. De persoon die in de elektrische rolstoel zit, kan eruit gelanceerd worden.
- Kijk tijdens het lopen met de elektrische rolstoel goed vooruit om een veilige route te bepalen.
- Let op: duw de elektrische rolstoel niet van het trottoir of een oneffenheid naar voren gericht. Dit kan gevaarlijk zijn omdat de persoon in de elektrische rolstoel kan omvallen. Draai de elektrische rolstoel om en ga achteruit van het trottoir af.

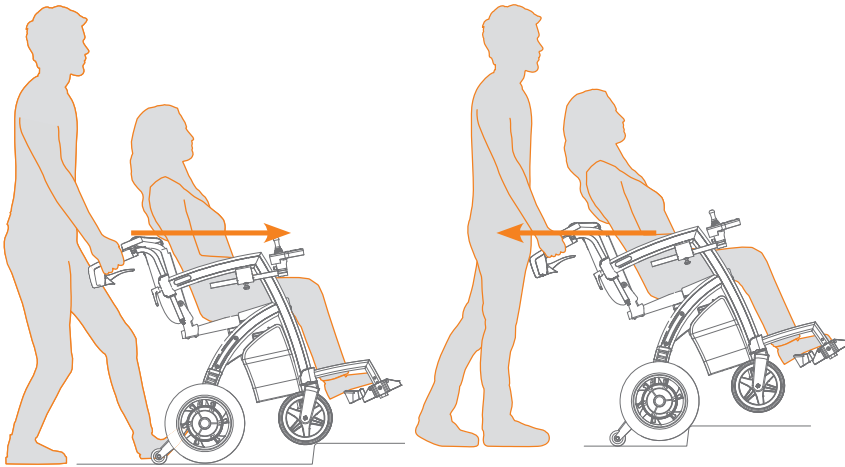
### De stoep op gaan

Het is vaak gemakkelijker om de op- of afritten in de stoeprand (indien aanwezig) te gebruiken. Voor stoepranden tot 15 mm:

- a. Plaats de voorwielen van de rolstoel tegen de stoeprand.
- b. Duw de rolstoel langzaam naar voren.
- c. Als de voorwielen op de stoeprand staan, blijf dan de rolstoel naar voren duwen, zodat de achterwielen ook op de stoeprand komen.

Voor stoepranden hoger dan 15 mm en lager dan de maximale stoeprandhoogte van 50 mm:

- a. Draai de rolstoel om, zet de duwondersteuning uit en plaats de wielen van de drempelhulp tegen de stoeprand.
- b. Trek de rolstoel langzaam achteruit zodat de wielen van de drempelhulp tegen de stoeprand omhoog gaan (**Figuur 58**). Ga achteruit tot alle wielen de stoeprand hebben beklommen.
- e. Draai de rolstoel om en activeer de duwondersteuning.



**Figuur 58: Opgaan van een drempel.**

**Figuur 59: Achteruit van een drempel gaan.**

### Veilig van de stoep afgaan

Veilig van de stoep afgaan, gaat als volgt (**Figuur 59**):

- a. Kijk goed vooruit om een zo vlot mogelijke route te kiezen.
- b. Benader stoepranden, hoogteverschillen of oneffen terrein voorzichtig.
- c. De duwer draait de rolstoel en rijdt langzaam achteruit van de stoeprand af.
- d. Zo leunt de persoon die zit tegen de rugleuning als de verplaatsing klaar is.



### WAARSCHUWING

Als de duwer plotseling met de elektrische rolstoel naar voren beweegt vanaf een stoeprand of richel die hoger is dan ongeveer 15 mm / 0,6 inch, kan de persoon in de elektrische rolstoel naar voren worden gelanceerd en er zelfs uitvallen. Dit kan ook gebeuren als de duwer hard tegen een richel aanrijdt. Voorkom daarom dat u tegen een obstakel rijdt of botst.

Vermijd ook gaten in het trottoir of kuilen in het wegdek. Een van de voorwielen kan abrupt in een gat terechtkomen waardoor de rolstoel onverwacht kantelt. De onevenredige hoeveelheid kracht op een van de voorwielen kan ook de vering beschadigen. Wees dus voorzichtig en kies een veilige route.

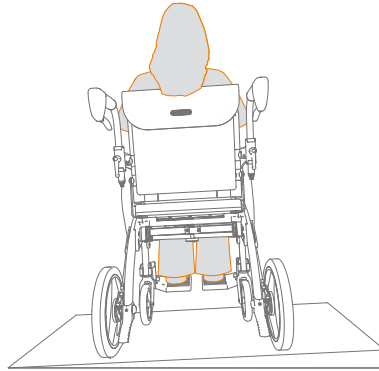
## Hellingen

De elektrische rolstoel is bedoeld voor gebruik op een harde, vlakke ondergrond. Op licht hellende wegen is het moeilijker koers te houden. De helling mag niet meer dan 3° bedragen (**Figuur 60**).



### VOORZICHTIG

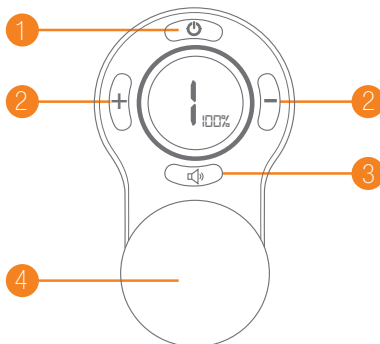
- De zijdelingse hellingshoek mag niet groter zijn dan 3°. Als de zijdelingse hoek groter is, bestaat het risico dat de elektrische rolstoel kantelt.
- Als u een helling oploopt, kan het duwen zwaar zijn. Als de duwer wil pauzeren, zet de elektrische rolstoel dan op de parkeerrem.
- Wees voorzichtig bij het afgaan van een helling. De duwer moet voorzichtig remmen om te voorkomen dat hij te snel gaat.
- Zorg dat u niet op te steile hellingen rijdt.



**Figuur 60:** De maximale zijwaartse hellinghoek 3°.

## GEBRUIK VAN DE JOYSICK - terwijl u in de rolstoel zit

Terwijl u in de stoel zit, met de handgrepen in rollatorpositie zodat u altijd bij de handgrepen kunt in een noodgeval, kunt u de joystick (**Figuur 61**) activeren door op de aankop te drukken.



### (Figuur 61):

1. On/Off button
2. Gear buttons
3. Horn
4. Joystick

**Figuur 61:** Joystick controller display and buttons.



Door op de I – I en/of I + I te drukken kunt u de verschillende versnellingen doorlopen. Hoe hoger de versnelling, hoe hoger de snelheid (1,2 - 6 km/uur/ 0,8 - 3,7 mph). De maximale snelheid wanneer u achteruit rijdt, ligt tussen 1,0 - 2,2 km/uur / 0,6 - 1,4 mph).

Met de joystick kunt u de richting veranderen, door de joystick los te laten of naar de middenstand te bewegen zal de Rollz Motion Electric remmen. U kunt de joystick ook naar u toe trekken, waardoor de rolstoel sneller remt, let wel op dat de afgeremde rollator uiteindelijk achteruit rijdt.

Wanneer u de joystick voor het eerst gebruikt terwijl u in de rolstoel zit, zet u de Rollz Motion Electric op de laagste snelheid. Dit helpt u om vertrouwd te raken met het besturingssysteem. Wanneer u zich comfortabel genoeg voelt, kunt u ervoor kiezen om de maximale snelheid te verhogen.

**Claxon:** Door te duwen op de  knop zal een claxon klinken. Gebruik dit om anderen bewust te maken van uw nabijheid.



### WAARSCHUWING

Pas op voor abrupte bochten bij hoge snelheid. Weet dat de draaicirkel 158 cm / 5,2 ft. bedraagt.

### Achteruitrijden

Door de joystick naar je toe te trekken rij je achteruit, rij altijd voorzichtig. Zorg ervoor dat de weg zo vrij mogelijk is van obstakels. Rij niet achteruit vanaf een helling.



### WAARSCHUWING

- Rijd niet in een gat of op oneffen terrein.
- Niet hard tegen richels of verhogingen botsen.
- Kijk goed om u heen om een veilige route te bepalen.
- Let op: rij niet van het trottoir of een oneffenheid hoger dan 15 mm / 0,6 inch.

### Een stoep opgaan

Het oprijden van een stoep of trottoir (**Figuur 58**):

- a. Plaats de voorwielen van de rolstoel tegen de stoeprand.
- b. Beweeg de joystick naar voren, dan kun je over stoepranden van 15 mm hoog rijden.

- c. Als de voorwielen op de stoep staan, blijf dan de joystick naar voren duwen, zodat de achterwielen ook op de stoep komen.

Het is vaak makkelijker om de op- of afritten in de stoeprand (indien aanwezig) te gebruiken.

### **Veilig van de stoep afgaan**

Zo gaat u veilig de stoep af (**Figuur 59**):

- a. Kijk goed vooruit om een zo vlot mogelijke route te kiezen.
- b. Benader stoepranden, hoogteverschillen of oneffen terrein voorzichtig.
- c. Wanneer u van een stoeprand afgaat, rijdt u de rolstoel langzaam van de stoeprand af. De stoeprand moet max. 15 mm / 0,6 inch zijn.
- d. Het is vaak makkelijker om de op- of afritten in de stoeprand (indien aanwezig) te gebruiken.

### **Hellingen**

De elektrische rolstoel is bedoeld voor gebruik op een harde, vlakke ondergrond. Op licht hellende wegen is het moeilijker koers te houden. De helling mag zeker niet te sterk zijn om kantelen te voorkomen (**Figuur 60**).

#### **VOORZICHTIG**

- De zijdelingse hellingshoek mag niet groter zijn dan 3°. Als de zijdelingse hoek groter is, bestaat het risico dat de elektrische rolstoel kantelt.
- Wees zeer voorzichtig bij het afrijden van een helling.
- Het gebruik van de Rollz Motion Electric op roltrappen is verboden.

### **In- of uitstappen**

Oefen het in- en uitstappen zo mogelijk met uw behandelaar (fysiotherapeut of ergotherapeut).

Gebruik bij het in- en uitstappen van de elektrische rolstoel de armleuningen als steunpunt en niet de joystick. De volgende punten moeten in acht worden genomen om mogelijke schade te voorkomen:

- Zet de Rollz Motion Electric zo dicht mogelijk bij de plaats waar u in of uit gaat stappen.

- Zorg ervoor dat de Rollz Motion Electric is uitgeschakeld als u in- of uitstapt.
- Zet de rolstoel op de parkeerrem voordat u in- of uitstapt.
- Gebruik de voetsteun niet om op te staan bij het in- of uitstappen.
- Zorg dat uw voeten niet achter de voetsteun of framedelen blijven haken.

### Zitpositie

Om kantelen tijdens het rijden te voorkomen, moet u een aantal punten in acht nemen die de stabiliteit en het evenwicht van de Rollz Motion Electric kunnen beïnvloeden. De volgende punten zijn van invloed op het zwaartepunt:

- Hoogte en hoek van de zitting.
- De zitpositie van de gebruiker.
- Hellend oppervlak.
- De lengte en het gewicht van de gebruiker.
- Het is niet toegestaan zelf aanpassingen te doen aan de Rollz Motion Electric.
- Het uitstrekken van de armen en/of het bewegen ervan om voorwerpen van uw Rollz Motion Electric te pakken heeft invloed op het kantelpunt van de Rollz Motion Electric.
- Leun alleen op de arMLEUNINGEN van de Rollz Motion Electric om te herpositioneren.
- Verplaats uzelf alleen terwijl u stilstaat.
- Leun niet op de voetsteun om te herpositioneren.
- Pak geen voorwerpen van de vloer op waarbij u over uw knieën moet reiken.
- Leun nooit over de rugleuning. Hierdoor kan de Rollz Motion Electric kantelen.
- Til de Rollz Motion Electric niet op als de inzittende zit.

## SPECIFICATIES ROLLZ MOTION ELECTRIC

### Product specificaties (Figuur 62) - (Figuur 63) Informatie over het materiaal

**Frame:** gelast aluminium met coating.

**Handgrepen:** polyurethaanschuim (PU).

**Kussenhoes en rolstoelpakket hoes:** 100% polyester.

**Binnenkussen zitting en rolstoelpakketzitting:** vulling van polyurethaanschuim (PU).

**Accuhouder** aluminiumlegering.

**Drukknoppen joystick en controller::** synthetische rubber.

**Voorwielen van de Rollz Motion Electric:** PU rubber banden.

**Achterwielen van de Rollz Motion Electric:** aluminium velgen met luchtbanden. De band is van synthetisch rubber, de binnenband van synthetisch rubber met een zogenaamd autoventiel.

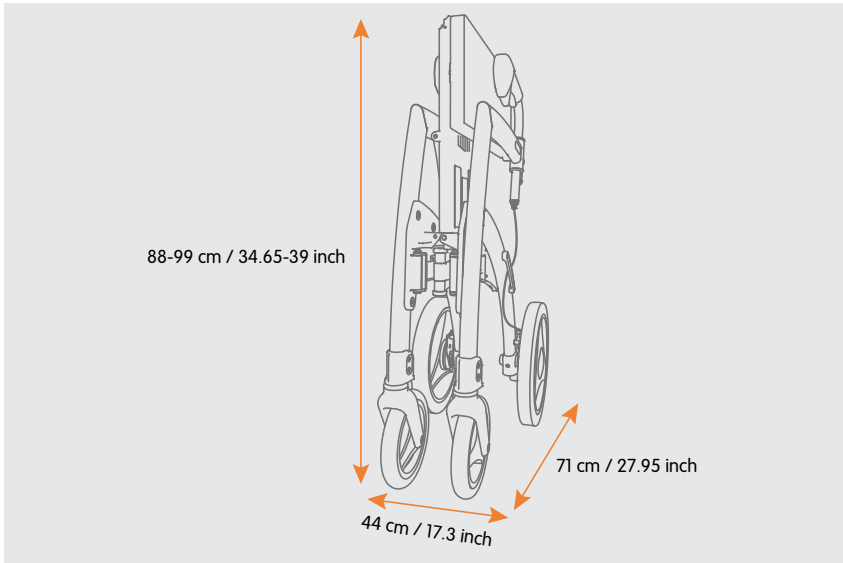
**Armleuningen:** een elastische vezelstof van neopreen en synthetisch rubber (Styrol Butadiene Rubber) gevuld met EVA-schuimrubber.

**Voetensteunen:** aluminium frame met kunststof voetsteunen.

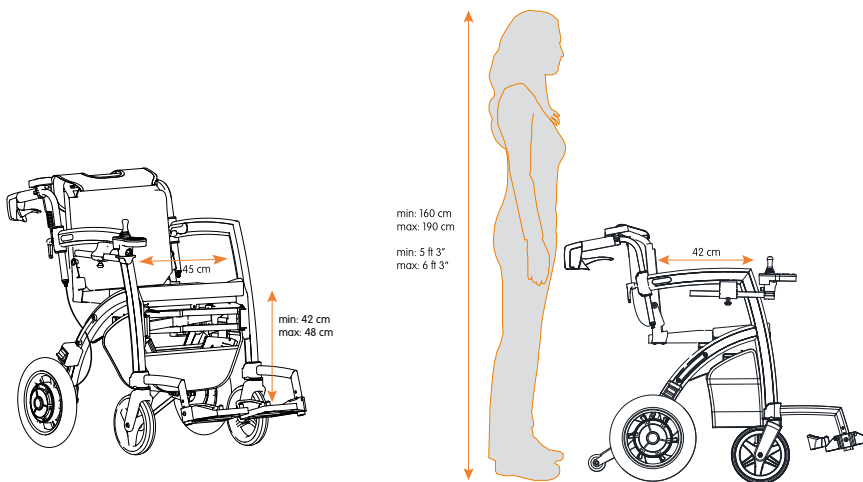
**Kantelbeveiliging:** staal.

PRODUCT AFMETINGEN	
Model	Rollz Motion Electric
Klasse	A
Gewicht rollator	19.6 kg / 43.21 lbs (exclusief accu) of 22.6 kg / 49.82 lbs (inclusief accu)
Gewicht rolstoelpakket	3.4 kg / 9.5 lbs
Gewicht elektrische rolstoel	23 kg / 50.7 lbs (exclusief accu) of 26 kg / 57.32 lbs (inclusief accu)
Rollator uitgeklaapt met joystick en duwondersteuning bevestigd H x D x B	88-99 x 71 x 74 cm / 34.65-39 x 27.95 x 29.5 inch
Elektrische rolstoel uitgeklaapt met handgrepen boven het frame H x D x B	91-99 x 100 x 74 cm / 35.8-39 x 39.4 x 29.5 inch
Elektrische rolstoel uitgeklaapt H x D x B	91-96 x 110 x 74 cm / 35.8-37.8 x 43.3 x 29.5 inch
Rollator ingeklapt H x D x W	90 x 71 x 44 cm / 35.4 x 28 x 17.3 inch
Diameter achterwielen	12.5 inch
Breedte achterwielen	2 ¼ inch
Diameter voorwielen	8 inch
Breedte voorwielen	1 ¼ inch
Omkeerbreedte	116 cm / 45.7 inch
Range	15 km / 9.3 mijl
Max snelheid	6 km/h / 3.73 mph
Stopafstand	<100 cm / <39,4 inch
Geluidssterkte	<65 dB

Het afstandsbereik wordt kleiner als de rolstoel vaak wordt gebruikt op hellingen, ruw terrein of om over stoepranden te klimmen. De remafstand op hellingen kan aanzienlijk groter zijn dan op vlakkegrond. De maximale breedte van 740 mm is groter dan de in a.1.1 van EN 12184:2014 aanbevolen maximale breedte van 700 mm. De toegang tot vluchtwegen kan worden beperkt.



**Figuur 62:** Dit is hoe compact de ingeklapte Rollz Motion Electric is.



**Figuur 63:** Ergonomische dimensies van de Rollz Motion Electric elektrische rolstoel.

## ERGONOMISCHE AFMETINGEN

	<b>Rollz Motion Electric</b>
Maximum gewicht van gebruiker	100 kg / 220 lbs
Minimale en maximale hoogte van de gebruiker en duwer	Ca 1.60 m tot 1.90 m / 5.25 ft tot 6.25 ft
Zitting van de rollator H x D x B	55 x 20 x 45 cm / 21.7 x 7.9 x 17.7 inch
Zitting van de elektrische rolstoel H x D x B	55 x 42 x 45 cm / 21.7 x 16.5 x 17.7 inch
Hoogte handvatten rollator	88-99 cm / 34.25-38.6 inch
Hoogte handvatten elektrische rolstoel	84-96 cm / 33.1-36.61 inch
Afstand tussen handgrepen	44.5 cm / 17.52 inch

## TECHNISCHE GEGEVENS

	<b>Rollz Motion Electric</b>
Motor	DC24V250W2
Motorkracht	2*250 W
Accutype	Li-ion
Capaciteit accu	12,5 Ah
Nominale spanning van de accu	24 V
Lader en maximale uitgangsstroom	AC100-240 V 50-60 Hz en 2 A output
Maximale uitgangsstroom regelaar	40 A, running current 2-3 A

## FOUTCODES EN OPLOSSINGEN

Er kan een foutcode verschijnen wanneer zich een fout voordoet, u herkent deze aan de vermelding “EE” op het LCD-scherm. Onder deze “EE” staat de specifieke foutcode. Zoek hieronder de foutcode op en bekijk de oplossing. Onderneem actie zoals beschreven in de “oplossing”.

FOUTCODES		
Fout-code	Oorzaak	Oplossing
E0002	Storing linker motor	Controleer of de linker motorkabel en connector beschadigd zijn, indien beschadigd, neem dan contact op met de dealer om kapotte onderdelen te vervangen. Als de uitlaat of de kabel niet beschadigd is, controleer dan of de linker motorkabel goed geplaatst is. Als deze goed geplaatst is, neem dan contact op met de dealer om deze foutcode verder te onderzoeken.
E0004	Storing rechter motor	Controleer of de rechter motorkabel en connector beschadigd zijn; indien beschadigd, neem dan contact op met de dealer om kapotte onderdelen te vervangen. Als de uitlaat of de kabel niet beschadigd is, controleer dan of de rechter motorkabel goed geplaatst is. Als deze goed geplaatst is, neem dan contact op met de dealer om deze foutcode verder te onderzoeken.
E0008	Detectiefout linker motorstroom	Neem contact op met de fabrikant om de kapotte onderdelen te vervangen
E0010	Detectiefout rechts motorstroom	Neem contact op met de fabrikant om de kapotte onderdelen te vervangen
E0020	Detectie accuvermogen is onjuist	Neem contact op met de fabrikant om de kapotte onderdelen te vervangen
E0040	15V voltage storing	Neem contact op met de fabrikant om de kapotte onderdelen te vervangen
E0800	Communicatiestoring in de frontcontrole	Controleer of de kabels en aansluitingen correct zijn aangesloten, zie Kabels en aansluitingen (wekelijks). Indien correct aangesloten, neem contact op met de fabrikant om de kapotte onderdelen te vervangen.
E-021	Communicatiestoring in de achterste controle	Neem contact op met de fabrikant om de kapotte onderdelen te vervangen
E-023	Attitude sensor abnormaal	Neem contact op met de fabrikant om de duwondersteuning te vervangen
E-024	Kalibratie van de voertuigstand	Zorg dat de handgrepen in de duwondersteuningsstand staan. Druk en houd de aan/uit knop ingedrukt totdat u een stemaanwijzing hoort. Laat dan de knop los en houd de Rollz Motion Electric stil totdat de 00001 van het scherm verdwijnt.
E-025	De greepdetectie sensor is abnormaal	Neem contact op met de fabrikant om de kapotte onderdelen te vervangen
E-026	De greepdetectie sensor is abnormaal	Neem contact op met de fabrikant om de kapotte onderdelen te vervangen
E-027	Het aanraakpaneel is abnormaal	Neem contact op met de fabrikant om de kapotte onderdelen te vervangen



## ACCESSOIRES

De functionaliteit van de Rollz Motion Electric kan worden uitgebreid met accessoires zoals een reishoes, paraplu, gordel, bekerhouder en flexibele rugsteun. Gebruik alleen originele of door Rollz International BV goedgekeurde accessoires. Er komen regelmatig nieuwe accessoires uit. Kijk op [www.rollz.nl](http://www.rollz.nl) of vraag uw leverancier naar nieuwe accessoires.

## ONDERHOUD

Regelmatig onderhoud verlengt de levensduur en verhoogt de veiligheid van uw Rollz Motion Electric. Laat versleten, beschadigde of kapotte onderdelen alleen door erkende Rollz dealers vervangen of repareren.

### Schoonmaken/desinfecteren

Maak uw Rollz Motion Electric regelmatig schoon om hem in optimale conditie te houden.

- a. Het frame en de handgrepen kunt u schoonmaken met lauw water en een doek. Droog uw Rollz Motion goed na het reinigen. Hardnekkige vlekken kunt u verwijderen met een mild reinigingsmiddel.
- b. Vermijd overmatig contact van water met de bewegende delen, zoals de assen en scharnierpunten.
- c. De handgrepen van de rollator en de handgreep van het rolstoelpakket en de armsteunen mogen niet gedesinfecteerd worden met een alcoholhoudend desinfectiemiddel. Dat tast het materiaal aan. Reinig deze onderdelen met een warm sopje. Zorg ervoor dat alles droog is om corrosie te voorkomen.
- d. De wielen kunt u met een kunststof borstel en lauw water reinigen. Gebruik geen staalborstel. Zo'n borstel beschadigt uw Rollz Motion.
- e. Bij overdracht aan een nieuwe gebruiker behoort de Rollz Motion Electric gedesinfecteerd te worden.
- f. Spoel de elektrische onderdelen niet af met water. **OPMERKING:** Wanneer de accu in contact is gekomen met water, zet het product dan volledig uit en gebruik de Rollz Motion Electric niet voordat de accu is gedroogd. Nadat de Rollz Motion Electric volledig droog is, kunt u de accu vervangen.

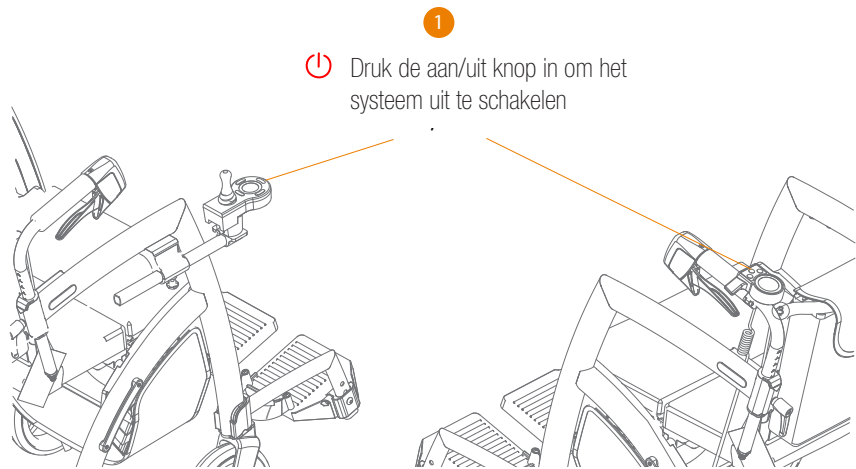


## OPMERKING

Gebruik geen ontsmettingsmiddel op alcoholbasis.

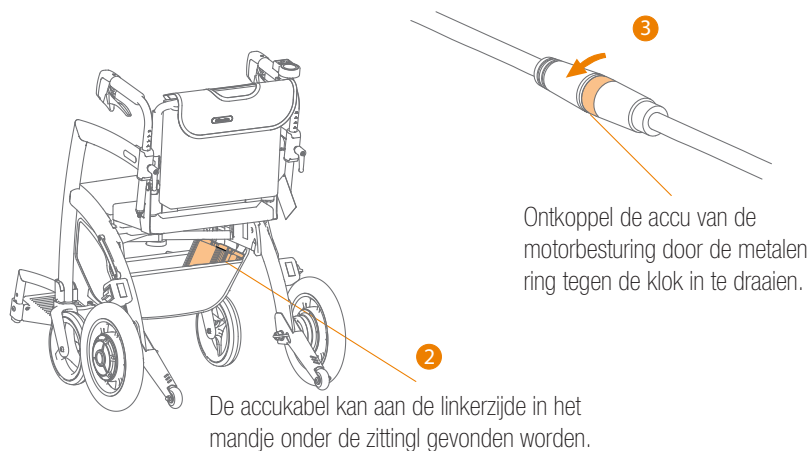
### Het verwijderen van de accu

Schakel het systeem uit, trek de parkeerrem aan, zorg dat er geen persoon in de rolstoel zit en plaats de Rollz Motion Electric op een vlakke ondergrond voordat u de accu verwijdert. Zoek de accukabel en maak deze los door de metalen ring op de connector tegen de klok in te draaien. U vindt de accukabel in het mandje onder de stoel. Na het losmaken van de kabel kunt u het klittenband losmaken om de accu eruit te halen.



1 Druk de aan/uit knop in om het systeem uit te schakelen

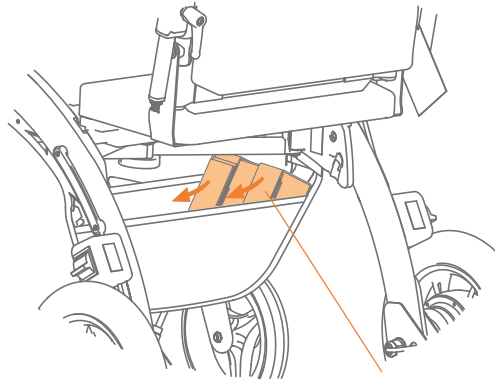
**Figuur 64:** Zet het systeem uit voordat u de accu verwijdert.



3 Ontkoppel de accu van de motorbesturing door de metalen ring tegen de klok in te draaien.

2 De accukabel kan aan de linkerzijde in het mandje onder de zittingl gevonden worden.

**Figuur 65:** Vind en ontkoppel de accu.



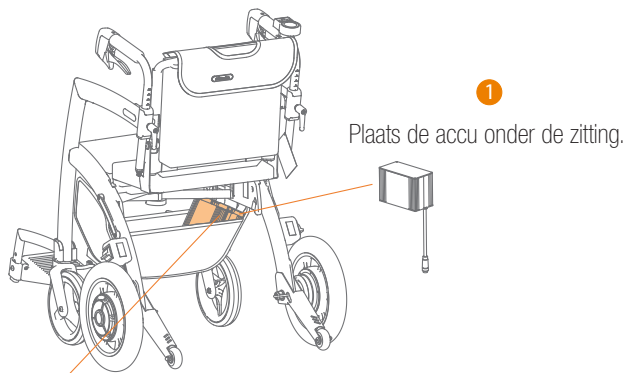
Haal de klittenbandstrips los.

4

**Figuur 66:** Haal de accu los.

### De accu weer aansluiten

Plaats de accu in het zakje met de kabel naar beneden. Wikkel de klittenbandstrips eromheen en trek deze stevig aan. Zoek de accukabel en sluit deze aan op de accu door de metalen ring op de connector met de klok mee te draaien. U vindt de accukabel in het mandje onder het zadel. Na controle van de kabelverbinding kunt u het systeem weer inschakelen en de werking van het systeem testen.



1 Plaats de accu onder de zitting.

2 Herpositioneer de klittenbandstrips en verbind de accukabel.

3  Druk op de aan/uit knop om het systeem aan te zetten.

4 Controleer alle functies.

**Figuur 67:** Controleer of de connectors goed zijn uitgelijnd en indien van toepassing vastgedraaid.

## Opbergen van de Rollz Motion Electric

Bewaar uw Rollz Motion Electric altijd in een schone, droge en stofvrije omgeving. Bewaar uw Rollz Motion Electric niet in een omgeving waar deze in direct contact kan komen met water; met temperaturen lager dan 5 °C / 23 °F en hoger dan 45 °C / 113 °F; met een zeer hoge luchtvochtigheid.

## Onderhoud van de accu (Dagelijks)

Controleer de resterende capaciteit van de accu. Als de accu het einde van zijn levensduur bereikt en vervangen moet worden, neem dan contact op met de leverancier of een erkende Rollz dealer.

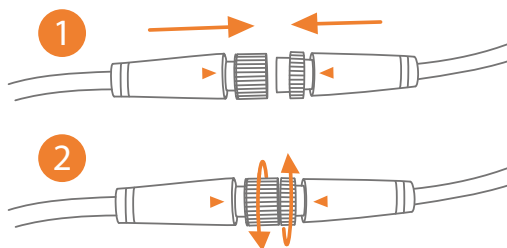
De levensduur en prestaties van de accu zijn afhankelijk van temperatuur, accustatus en gewicht van de gebruiker. Naarmate de accu ouder wordt, kan een verlies aan capaciteit optreden (als er een aanzienlijk verlies aan bereik is of het opladen van het product aanzienlijk langer duurt), in dit geval raden wij aan de accu te vervangen door contact op te nemen met de dealer.

Controleer voor gebruik of de accu volledig is opgeladen. De normale oplaadtijd van de accu bedraagt ongeveer 5 uur. Wanneer de accu volledig leeg is, kan de oplaadtijd oplopen tot 6 uur.

Als u de accu langere tijd niet gebruikt, zorg er dan voor dat deze minstens om de 2 maanden wordt opgeladen. Als u de accu gedurende langere tijd niet oplaadt, kan dit interne schade veroorzaken.

## Kabels en aansluitingen (Wekelijks)

Controleer de elektrische onderdelen en aansluitdraden op goede verbindingen en op eventuele beschadigingen. Zelfs de kleinste beschadiging kan tot gevaarlijke situaties leiden (bijv. kortsluiting) en moet direct worden opgelost. Indien aanwezig, neem dan contact op met de leverancier of laat een erkende Rollz dealer dit repareren. Niet zelf repareren. Controleer of de aansluitingen zijn vastgezet volgens **(Figuur 68)**. Verwijder of ontkoppel geen onderdelen terwijl het elektrisch supportsysteem is ingeschakeld.



**Figuur 68:** Zorg dat de connectors goed verbonden zijn.

### **Motoren (Elke maand)**

Controleer de motoren in de achterwielen op zichtbare scheuren of vervormingen, controleer of de wielen vrij kunnen draaien en controleer op toegenomen geluid tijdens het gebruik. Controleer of de moeren en andere bevestigingsmiddelen waarmee de motoren aan het frame zijn bevestigd goed zijn aangedraaid en geen speling hebben. Gebruik de Rollz Motion Electric niet als een van deze punten is geconstateerd. Neem contact op met de leverancier of een erkende Rollz distributeur.

### **Duwondersteuning en joystick-controller (Elke 3 maanden)**

Reinig de controller en de joystick voorzichtig met een doek die is bevochtigd met een neutraal verdund schoonmaakmiddel. Gebruik nooit schurende materialen of alcoholische schoonmaakmiddelen voor het reinigen. Bescherm de controller tegen beschadiging tijdens het vervoer van de rolstoel. Voorkom altijd het binnendringen van vloeistoffen in openingen van de controllers.

### **De kussenhoes wassen**

De bekleding van het zitkussen is wasbaar; verwijder het binnenste zitkussen voordat u het wast.

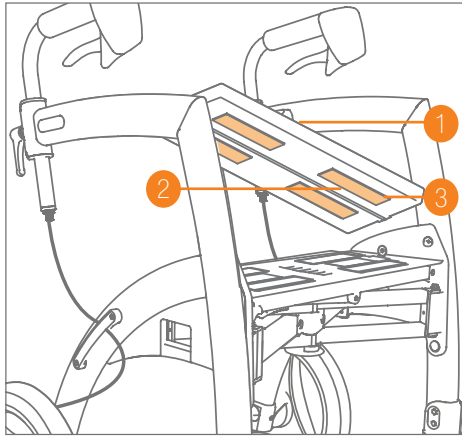
- a.** Trek het met klittenband bevestigde zitkussen los van de zitting (**Figuur 69**).
- b.** Rits de zitting open en verwijder het binnenkussen.
- c.** De bekleding kan nu gewassen worden in de wasmachine op maximaal 30 °C / 86 °F.
- d.** Droog de bekleding gewoon aan de lucht, niet in de droger.
- e.** Doe het binnenkussen terug in de bekleding en rits de zitting dicht.
- f.** Plaats het kussen terug op de zitting met het klittenband.

### **OPMERKING**

De bekleding nooit bleken of chemisch reinigen.

## Wat zit waar?

1. Zitkussen
2. Klittenband
3. Rits



**Figuur 69:** Verwijder het zitkussen van de rollator.

## Remkracht (dagelijks)

Controleer de remwerking van de remmen. Bij gebruik van de remmen moeten de wielen van de Rollz Motion Electric tot stilstand komen. Als de wielen niet tot stilstand komen bij gebruik van de rem: schakel het systeem onmiddellijk uit, controleer op schade en probeer de remmen af te stellen volgens onderstaande uitleg. Neem contact op met de leverancier als de remmen beschadigd zijn of als de Rollz Motion Electric na afstelling niet tot stilstand kan komen. Repareer de remmen niet zelf.

## Afstellen van de remmen

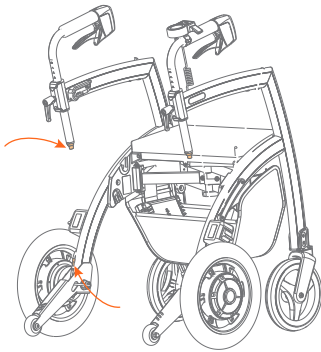
Door gebruik kunnen de remmen van de Rollz Motion slijten. Hierdoor kan het nodig zijn om de remmen opnieuw af te stellen. Door uw remmen juist af te stellen voorkomt u problemen en kunt u er optimaal gebruik van maken. Controleer daarom regelmatig, liefst voor elk gebruik of de remmen juist werken. Wanneer u de handremmen volledig inknipt, behoort de Rollz Motion Electric volledig te blokkeren. Wanneer u de remmen loslaat, behoort de Rollz Motion volledig vrij te rijden.

Als de remmen niet goed werken, kunnen ze op twee manieren worden afgesteld: bovenaan en onderaan de remkabel (**Figuur 70**). De afstelling aan de bovenkant van de remkabel (net onder de hoogterstelhendel) is bedoeld voor fijnafstelling, zodat de werking van de rem iets strakker kan worden ingesteld. De afstelling onderaan de remkabel (bij de achterwielen) is voor een radicalere afstelling. Zorg ervoor dat zowel de linker- als de rechterrem goed zijn afgesteld.

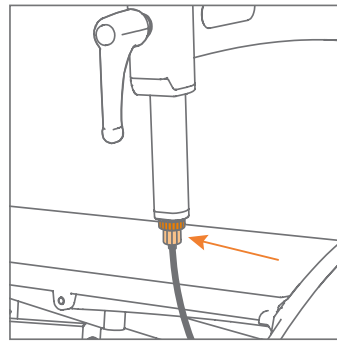
## Remverstelling bovenaan de remkabel

U kunt de remmen strakker zetten met de remverstelling bovenaan.

- a. De Rollz Motion mag niet op de parkeerremmen staan terwijl u de remmen afstelt.
- b. Draai eerst de borgring los (trek de kabel naar beneden om het gemakkelijker te maken). Dit geeft u de ruimte om de stelschroef ronder vaster te draaien of lossere te maken (**Figuur 71**).
- c. Draai de borgring weer vast en controleer of deze de gewenste remkracht levert.
- d. Doe hetzelfde aan de andere kant en controleer of beide remmen dezelfde weerstand bieden.



**Figuur 70:** Afstelling van de rem via de stelschroeven aan de boven- en onderkant van de remkabel.



**Figuur 71:** Afstelling van de rem via de stelschroef, net onder de borgring.

## Remverstelling onderaan de remkabel

Als u de remmen strakker moet zetten dan wat de bovenste afstelling toelaat, kunt u de remmen verder afstellen met behulp van de onderste remverstelling.

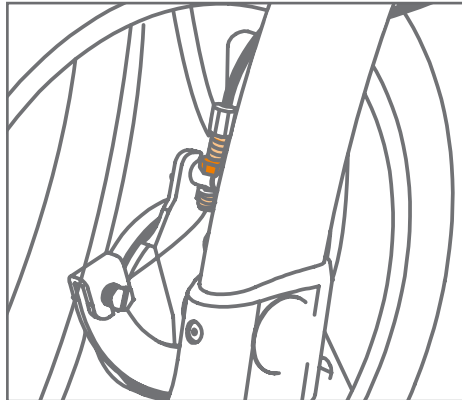
- a. De Rollz Motion Electric mag niet op de parkeerremmen staan terwijl u de remmen afstelt.
- b. Blijf bij het afstellen van de remmen achter de Rollz Motion Electric. Draai de borgring onderaan de remkabel los (trek de kabel omhoog om het makkelijker te maken). Draai de stelschroef erboven om de remkabel in te korten of te verlengen (**Figuur 72**). Draai met de klok mee voor meer remkracht, en tegen de klok in voor minder remkracht.

- c. Wanneer de rem de gewenste kracht levert, draait u de borgschroef weer vast.
- d. Doe hetzelfde aan de andere zijde.
- e. Controleer of de rem- kracht links en rechts gelijkmatig verdeeld is.



### VOORZICHTIG

Functioneren de remmen na het zelf afstellen niet naar behoren? Neem dan direct contact op met uw leverancier en gebruik de Rollz Motion Electric niet.



**Figuur 72: Afstelling van de rem via de borging (donker oranje) en de stelschroef.**

### Oppompem van de luchtbanden (gemiddeld elke maand)

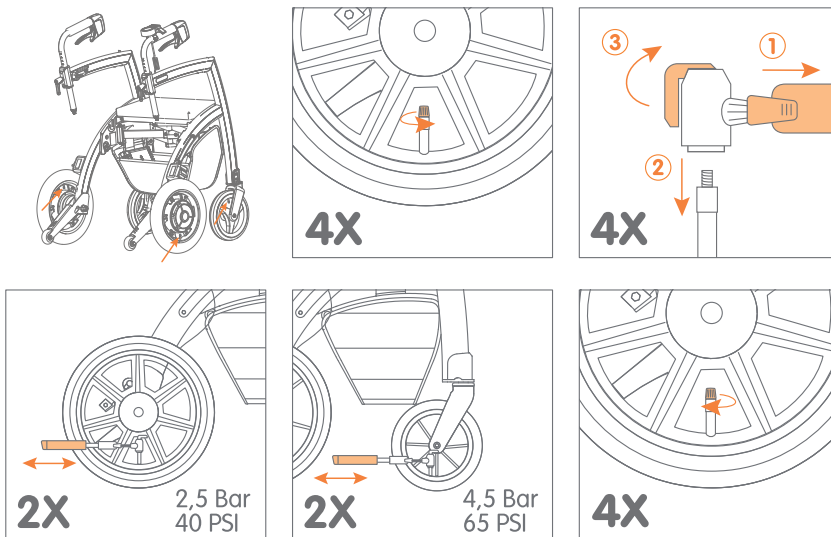
De Rollz Motion Electric heeft luchtbanden. Deze luchtbanden moeten regelmatig extra lucht krijgen voor een optimaal gebruik (**Figuur 73**). De binnenbanden zijn voorzien van een Schrader-ventiel, ook wel autoventiel genoemd. Neem altijd het meegeleverde pompje mee, het past in de tas van het rolstoelpakket. Circa twee keer pompen per bandje is meestal voldoende. Beide achterbanden dienen een druk te hebben van maximaal 2,5 bar ( $\approx$  2,5 atmosfeer of 36,6 PSI of 250 kPa). De voorbanden mogen maximaal een druk hebben van 4,5 bar ( $\approx$  4,5 atmosfeer of 65 PSI of 450 kPa).



### VOORZICHTIG

Pomp de banden niet op boven de geadviseerde spanning omdat ze onder hoge druk kunnen exploderen.





**Figuur 73: Oppompen van de luchtbanden.**

### OPMERKING

Controleer regelmatig voor gebruik of de banden nog van voldoende lucht zijn voorzien. De banden zijn te zacht als het duwen zwaarder gaat.

### Platte banden

Schakel het systeem onmiddellijk uit en gebruik de Rollz Motion Electric niet wanneer een band lek, doorboord of kapot is. Neem contact op met de leverancier of erkende Rollz leveranciers om de band te vervangen.

### Vervangen van onderdelen

Sommige onderdelen, zoals de handgrepen, banden, wielen, remkabels en zitting zijn aan slijtage onderhevig. Neem contact op met uw leverancier indien deze onderdelen vervangen moeten worden.

### OPMERKING

Gebruik alleen originele of door Rollz International goedgekeurde onderdelen.

## GARANTIE

Mankeert er iets aan uw Rollz Motion Electric binnen twee jaar na aankoop? Neem dan direct contact op met uw leverancier. Deze zoekt in overleg met Rollz International zo snel mogelijk naar een oplossing. Daarbij hanteren wij de onderstaande garantiebepalingen.

Ook na het verstrijken van de garantieperiode is reparatie mogelijk, tegen vergoeding van de gemaakte kosten. Neem daarvoor rechtstreeks contact op met uw leverancier.

### Garantiebepalingen

Rollz® International BV, gevestigd te Delft in Nederland (hierna "Rollz") geeft in haar hoedanigheid van fabrikant garantie op de door haar geproduceerde Rollz Motion Electric (hierna: "product") onder de volgende bepalingen:

1. De algemene garantietermijn voor de eerste eigenaar (hierna: "klant") bedraagt 24 maanden, te rekenen vanaf de datum van aankoop.
2. Rollz geeft vijf jaar garantie op het frame op materiaal- en constructiefouten bij normaal gebruik en onderhoud te rekenen vanaf de datum van aankoop.
3. De garantie op de accu bedraagt 18 maanden.
4. De garantie op alle onderdelen van het elektronisch ondersteuningssysteem, behalve de accu, bedraagt 24 maanden.
5. De garantie geeft recht op reparatie, uitdrukkelijk niet op ruilen of terugname van een product.
6. In geval van reparatie verzorgt de klant zelf het transport van het product naar en van de winkel waar het is aangeschaft (de "leverancier"). De leverancier zal in overleg met Rollz zorgdragen voor reparatie.
7. De garantie kan slechts worden ingeroepen indien de klant, samen met het defecte product een kopie van de aankoopbon met aanschafdatum en een duidelijke omschrijving van de klachten verstrekt aan de leverancier.
8. Indien nodig verzorgt Rollz het transport van het product van de leverancier naar Rollz en vice versa voor eigen kosten en risico, maar alleen indien de reparatie onder de garantie valt.
9. De garantietermijn wordt nooit verlengd, ook niet in geval van reparaties.

- 10.** De garantie is niet overdraagbaar en kan dus alleen worden ingeroepen door de eerste eigenaar.
- 11.** De garantie doet niets af aan de rechten die de klant heeft op grond van de wet.

In de volgende situaties geldt de garantie niet:

- a.** indien de klant zelf, zonder voorafgaande schriftelijke toestemming van Rollz of de leverancier, wijzigingen of reparaties heeft aangebracht of heeft laten aanbrengen;
- b.** wanneer defecten zijn ontstaan door verwaarlozing of een ongeval en/of gebruik of onderhoud afwijkend van wat in de handleiding wordt aangegeven;
- c.** indien het serienummer is beschadigd of verwijderd;
- d.** indien de schade aan het product het gevolg is van normale slijtage.

### **Registreer uw Rollz Motion Electric**

Registreer uw product bij Rollz International door het online formulier op [www.rollz.nl](http://www.rollz.nl) in te vullen. Noteer hierbij altijd het serienummer van de Rollz Motion Electric. Dit nummer staat op de sticker op het zitgedeelte onder het zitkussen. U kunt zich bij het registreren ook opgeven voor een e-mail nieuwsbrief als u op de hoogte wilt blijven van nieuws over Rollz producten.

## CONTACT

Rollz International staat altijd open voor verbetering. Daarom horen wij graag uw mening. Dit kan gaan om het gebruiksgemak, de handleiding of andere aspecten van onze producten of dienstverlening.

Mail alstublieft uw tips of ervaringen naar [info@rollz.com](mailto:info@rollz.com).

Ook voor vragen of opmerkingen kunt u contact met ons opnemen:

### **Rollz® International BV**

Rotterdamseweg 402M  
2629HH Delft  
Nederland

+31 (0)20 362 20 10  
[info@rollz.com](mailto:info@rollz.com)  
[www.rollz.nl](http://www.rollz.nl)

# BEDIENUNGSANLEITUNG

Der Rollator-und-Elektrollstuhl-in-Einem

rollz motion electric

DE

Deutsch

## Rollz® International BV – Rollz Motion Electric

© Copyright 2023 Rollz® International BV

Dies ist eine Übersetzung der englisch Original-Bedienungsanleitung für den Rollz Motion Electric. Diese Bedienungsanleitung basiert auf den Informationen, die zum Zeitpunkt ihrer Erstellung verfügbar waren. Es ist möglich, dass die Informationen in diesem Dokument geändert werden.

Das gekaufte Produkt kann sich geringfügig von dem in dieser Bedienungsanleitung beschriebenen Produkt unterscheiden. Sie können die aktuellste Bedienungsanleitung unter [www.rollz.de](http://www.rollz.de) herunterladen. Um Sie auf dem neuesten Stand zu halten, überarbeiten wir [www.rollz.de](http://www.rollz.de) regelmäßig.

Rollz® International BV kann nicht für technische Fehler oder Unvollkommenheiten in diesem Handbuch haftbar gemacht werden.

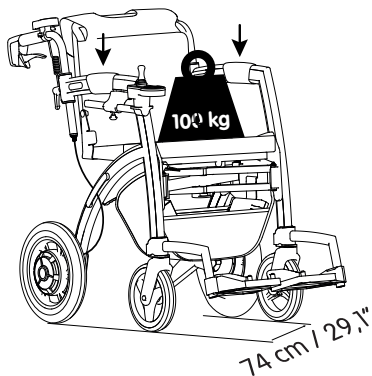
### CE-Konformität

Das Produkt erfüllt die Anforderungen der EU-Richtlinie 93/42 EWG für Medizinprodukte. Auf der Grundlage der Klassifizierungsregeln in Anhang IX dieser Richtlinie wird das Produkt in die Klasse I eingestuft. Die Konformitätserklärung wurde in eigener Verantwortung von Rollz® International BV auf der Grundlage des Anhangs VII dieser Richtlinie erstellt.

### Internationale Normen

Der Rollz Motion Electric ist als Rollator nach der ISO-Norm 11199-2:2005 zertifiziert. Der Rollz Motion Electric ist auch als Rollstuhl nach der ISO-Norm 7176-8:2014 (Cor. 2015-09) zertifiziert. Der Rollz Motion Electric ist zertifiziert als Elektrorollstuhl der Klasse A gemäß ISO 12184:2014.

**rollz motion  
electric**  
Max 100 kg / 220 lb



**Abbildung 1: Rollz Motion  
Electric Breite und Höchstlast**

## INHALT

<b>Vorwort</b>	<b>124</b>
Wichtige Informationen	124
Sicherheitshinweise	125
Warnhinweise	127
Ungeeignete Voraussetzungen	128
Elektromagnetische Störungen	128
Wer kann von diesem Produkt profitieren	129
Wer sollte den Rollz Motion Electric nicht verwenden (Kontraindikation)	129
Wiederverwendung	130
<b>Auspacken</b>	<b>130</b>
Prüfen Sie, ob Ihre Lieferung vollständig ist	130
Anbringen des Steuerelements und der Joystick-Steuerung	131
Befestigung der 3in1-Halterung	131
Aufladen des Rollz Motion Electric	132
Warnhinweise	133
Recycling von Verpackungsmaterial	134
<b>Verwendung als Rollator</b>	<b>135</b>
Was befindet sich wo?	135
Aufklappen & Zusammenklappen	136
Transport	137
Einstellen der Höhe für die richtige Haltung	138
Gehen mit dem Rollz Motion Electric - als Rollator	140
Bedienung der Bremsen	141
Ausruhen auf dem Rollz Motion Electric	142
Verwendung der Tasche	142
Überfahren von Schwellen und Bordsteinen	142
<b>Vom Rollator zum Elektrorollstuhl</b>	<b>143</b>
Was befindet sich wo beim Rollz Motion Electric	144
Verwendung des Rollz-Rollstuhlpakets	145
Aufklappen des Rollz-Rollstuhlpakets	146
Einstellen der Fußstützen (einmalig erforderlich)	148
Einstellen der Rückenlehne (einmalig erforderlich)	150
Zusammenklappen des Rollstuhlpakets	150
Abnehmen des Rollstuhlpakets	151
Sicherheitshinweise	151

<b>Benutzung als Elektrorollstuhl - mit einer schiebenden Person</b>	<b>152</b>
Anpassen an Ihr Tempo	152
Benutzung des elektrischen Unterstützungssystems - mit einer schiebenden Person	152
Unterstützungsmodus	154
Konstante Kraftunterstützungsmodus	154
Automatische Kraftunterstützung	154
Anti-Sturzsicherung	154
Einen Bordstein hinauffahren	155
Sicheres Verlassen des Bürgersteigs	155
Steigungen	156
<b>Verwendung des elektrische Unterstützungssystems - während Sie im Elektrorollstuhl sitzen</b>	<b>157</b>
Hupe	157
Rückwärtsfahren	158
Einen Bordstein hinauffahren	158
Sicheres Verlassen des Bürgersteigs	158
Steigungen	158
Umlagerung	159
Sitzposition	159
<b>Spezifikationen des Rollz Motion Electric</b>	<b>160</b>
Produktspezifikationen	160
Informationen über das Material	160
Produktabmessungen	161
Ergonomische Abmessungen	163
Technische Details	163
<b>Fehlercodes und Lösungen</b>	<b>164</b>
Liste der Fehlercodes	164
<b>Zubehör</b>	<b>165</b>



<b>Wartung</b>	<b>165</b>
Reinigen/Desinfizieren	165
Abklemmen des Akkus	166
Wiederanschießen des Akkus	167
Aufbewahrung des Rollz Motion Electric	168
Akkuwartung (täglich)	168
Kabel und Anschlüsse (wöchentlich)	168
Motoren (monatlich)	169
Steuerelement und Joystick-Steuerung (alle 3 Monate)	169
Waschen des Sitzbezugs	169
Bremsleistung (täglich)	170
Einstellen der Bremsen	170
Bremsleistung am oberen Ende des Bremsseils	171
Bremsleistung am unteren Ende des Bremsseils	172
Aufpumpen der Luftreifen (ungefähr jeden Monat)	173
Platte Reifen	174
Austausch von Teilen	174
<b>Garantie</b>	<b>174</b>
Garantiebestimmungen	174
Registrieren Sie Ihren Rollz Motion Electric	175
<b>Kontakt</b>	<b>176</b>

## VORWORT

Herzlichen Glückwunsch zu Ihrem neuen Rollz Motion Electric. Rollz International BV hat diese Bedienungsanleitung erstellt, damit Sie Ihren Rollator und Elektrorollstuhl in einem auf die sicherste und bequemste Weise benutzen können. Bei Fragen zu den in dieser Anleitung erwähnten Warnhinweisen oder Anweisungen wenden Sie sich bitte an Ihren Händler, um diese zu klären.

Wir wünschen Ihnen viel Freude mit Ihrem Rollz Motion Electric.

### Wichtige Informationen

- Lesen Sie diese Anleitung sorgfältig durch, bevor Sie das Produkt in Betrieb nehmen, und bewahren Sie sie zum späteren Nachschlagen auf.
- Diese Anleitung ist für den Rollz Motion Electric (eingeführt im Jahr 2022) geschrieben.
- Riskieren Sie nicht Ihre Sicherheit und die Sicherheit anderer Personen in Ihrer Umgebung, indem Sie das Produkt falsch benutzen.
- In diesem Handbuch sprechen wir über das elektrische Unterstützungssystem. Dieses System beinhaltet die Joystick-gesteuerte elektrische Unterstützung und die Schubunterstützung, die die Motoren in den Rädern steuern.
- Die Farben der Teile des Rollz Motion Electric können bei Sonneneinstrahlung leicht ausbleichen.
- Setzen Sie das Produkt keinen Temperaturen unter -5 °C / 23 °F und über 45 °C / 113 °F aus, da dies zu Schäden an einigen Bauteilen führen kann, die eine fehlerhafte Funktion zur Folge haben könnten.
- Der Rollz Motion Electric enthält elektronische Bauteile. Vermeiden Sie daher, dass der Rollator nass wird. Benutzen Sie ihn nicht im Freien bei starkem Regen. Verwenden Sie zum Aufladen des Rollz Motion Electric nur das mitgelieferte Ladegerät.
- Verwenden Sie nur Original-Rollz-Zubehör. Die Verwendung von nicht zugelassenem Zubehör kann gefährlich sein und führt zum Erlöschen der Garantie.
- Verwenden Sie nur von Rollz International BV zugelassene Originalteile, die von einem autorisierten Händler zur Reparatur genutzt oder ausgetauscht werden. Die Verwendung anderer Teile, die keine Originalteile sind, kann unsicher sein und führt zum Erlöschen der Garantie.

- Schäden durch Überlastung des Produkts oder falsches Auseinander- und Zusammenklappen führen nicht nur zum Erlöschen der Garantie, sondern auch zu unsicheren Situationen. Die Garantiebestimmungen finden Sie in dieser Anleitung.
- Die Serien- und Artikelnummer Ihres Rollz Motion Electric finden Sie auf dem Produktaufkleber, der sich auf dem Sitz (unter dem Kissen) befindet.
- Jeder schwerwiegende Vorfall im Zusammenhang mit dem Gerät muss dem Hersteller und der zuständigen Behörde Ihres Landes gemeldet werden.
- Es ist wichtig, dass Sie Ihr Produkt bei Rollz International unter [www.rollz.de](http://www.rollz.de) registrieren lassen.
- Bitte beachten Sie die in Ihrem Land geltenden Vorschriften für die Benutzung von elektrischen Rollstühlen.



### Sicherheitshinweise

	Lesen und befolgen Sie die Anweisungen in dieser Anleitung.
	Entflammbare Materialien: Kontakt mit offenen Flammen oder Funken vermeiden. Verhindern Sie, dass der Akku mit brennbaren Materialien in Berührung kommt.

- Der Rollz Motion Electric ist zur Unterstützung / zum Transportieren von nur einer Person gedacht.
- Verwenden Sie die Griffe immer in der richtigen Position. Lesen Sie das Kapitel **Einstellen der Höhe für eine korrekte Körperhaltung** für weitere Details.
- Prüfen und/oder justieren Sie die Bremsen regelmäßig, um einen Verlust der Bremskraft zu vermeiden. Prüfen Sie die Bremsen regelmäßig, um sicherzustellen, dass Sie über eine ausreichende Bremskraft verfügen. Wie das geht, erfahren Sie im Kapitel **Einstellen der Bremsen**.
- Prüfen Sie vor der ersten Benutzung des Rollz Motion Electric, ob alle Stromversorgungen angeschlossen und die elektrischen Komponenten, einschließlich des Akkus, nicht beschädigt sind. Beschädigte oder nicht ordnungsgemäß angeschlossene Teile können zu Gefahren oder unsicheren Situationen führen. Informationen zu dieser Überprüfung finden Sie im Kapitel **Kabel und Anschlüsse (wöchentlich)**.

- Die Joystick-gesteuerte elektrische Unterstützung ist nicht unbedingt in der Lage, Hindernisse im Freien zu überwinden.
- Wenn Sie im Rollz Motion Electric sitzen und die Joystick-gesteuerte elektrische Unterstützung verwenden, müssen die Schiebegriffe immer in der Rollatorposition stehen, wobei sich die Griffe über dem Rahmen befindet, damit Sie im Notfall die Handbremsen erreichen können.
- Die elektrische Unterstützung durch das Steuerelement kann auch im Freien auf Oberflächen verwendet werden, die in dieser Anleitung als sicher eingestuft werden.
- Wenn Sie im Rollstuhl sitzen und den Rollz Motion Electric mit Joystick-gesteuerter elektrischer Unterstützung benutzen, sollten Sie nur (seitliche) Steigungen von 3° / 5,25% befahren.
- Gehen Sie mit dem Rollz Motion Electric nur auf 15° / 26,8% Gefälle abwärts, auf 7° / 12,3% Gefälle aufwärts und auf seitlichen Gefällen nicht höher als 3,5° / 6,1%.
- Überprüfen Sie regelmäßig die Kapazität des Akkupacks, indem Sie auf dem Bildschirm am Joystick oder Unterstützungssystem nachsehen, ob er aufgeladen werden muss.
- Halten Sie Werkzeuge und andere Metallgegenstände vom Akkupack fern. Der Kontakt mit dem Plus- und Minuspol kann einen Kurzschluss oder einen Stromschlag verursachen.
- Stellen Sie sicher, dass Sie mit den Funktionen des Rollz Motion Electric vertraut sind, bevor Sie ihn benutzen.
- Stellen Sie sicher, dass der Rollz Motion Electric ausgeschaltet ist, wenn er nicht benutzt wird.
- Bewahren Sie den Rollz Motion Electric in einer sauberen und trockenen Umgebung auf und vermeiden Sie es, ihn hohen Temperaturen und schnellen Temperaturschwankungen auszusetzen. Wenn Sie den Rollz Motion Electric über einen längeren Zeitraum nicht benutzt haben, vergewissern Sie sich, dass der Akku aufgeladen ist, bevor Sie ihn wieder benutzen.
- Dieses Produkt sollte nicht in der Nähe von Säuren, Laugen und anderen ätzenden Chemikalien aufbewahrt werden.



## Warnhinweise

- Der Rollz Motion Electric ist als Rollstuhl der Klasse A zertifiziert, was bedeutet, dass die Benutzung im Freien, während man im Rollz Motion Electric mit Joystick-gesteuerter elektrischer Unterstützung sitzt, auf folgende Grenzen beschränkt ist: maximale sichere Neigung von 3° / 5,25 %, maximale Hindernishöhe von 15 mm / 0,6 Zoll, maximale Bodenunebenheit von 10 mm / 0,4 Zoll. Das Überschreiten dieser Grenzen kann zu gefährlichen Situationen führen. Eine sichere Benutzung im Freien kann nur in Gebieten gewährleistet werden, in denen diese Bedingungen eingehalten werden.
- Es ist wichtig, dass der Benutzer über die körperlichen und geistigen Fähigkeiten verfügt, alle in dieser Bedienungsanleitung beschriebenen Vorgänge selbstständig durchzuführen. Falls nicht, sollte immer jemand in der Nähe sein, der helfen kann.
- Verwenden Sie den Rollz Motion Electric nicht, wenn ein Teil beschädigt ist, gebrochen ist, fehlt oder Risse aufweist oder wenn die Anzeigen einen Fehlercode anzeigen.
- Vergewissern Sie sich vor der Benutzung, dass alle Komponenten an ihrem Platz eingerastet sind.
- Halten Sie den Rollz Motion Electric von offenen Flammen und anderen Wärmequellen, wie Elektro- oder Gasheizungen, fern.
- Der Benutzer kann während des Transports in einem Taxi, Bus oder Auto nicht im Rollz Motion Electric sitzen bleiben, da er nicht für diese Art der Nutzung entwickelt wurde.
- Die Breite des Rollstuhls ist größer als die empfohlene Breite für Rollstühle der Klasse A. Der Zugang zu Fluchtwegen kann eingeschränkt sein.
- Bei Verwendung des Rollz Motion Electric beträgt die Reichweite 15 Kilometer bei kontinuierlicher Fahrt. Die Reichweite verringert sich, wenn der Rollz Motion Electric an Steigungen, auf unebenem Gelände oder beim Überwinden von Bordsteinkanten eingesetzt wird. Auch das Gewicht des Benutzers, das Gelände, der Akkustatus und das Fahrverhalten können die Reichweite beeinflussen.
- Der Rollz Motion Electric ist auf keinen Fall für den Gebrauch am Strand entwickelt worden.
- Wir empfehlen, den Sicherheitsgurt zu benutzen, während Sie im Rollz Motion Electric sitzen.

## Ungeeignete Voraussetzungen

- Um ein Flugzeug zu besteigen, muss die Batterie des Rollz Motion Electric entfernt werden.
- Der Rollz Motion Electric ist nicht zum Treppensteigen und Gehen auf unebenem Gelände wie Kies, Gras, Sand, Schlamm oder Waldboden geeignet.
- Es ist nicht erlaubt, den Rollz Motion Electric im Sitzen auf einer Rolltreppe zu benutzen.
- Sie dürfen Ihren Rollz Motion Electric nicht bei Regen, Schnee oder anderen nassen Bedingungen benutzen oder abstellen.
- Benutzen Sie Ihren Rollz Motion Electric nicht beim Duschen.
- Benutzen Sie Ihren Rollz Motion Electric nicht auf Straßen mit Streusalz.
- Benutzen Sie Ihren Rollz Motion Electric nicht in unmittelbarer Nähe von Wasser (z. B. Graben, Teich, Fluss, See oder Meer).
- Verwenden Sie den Rollz Motion Electric nicht an einer Steigung mit Schnee, Eis, Wasser oder Öl.
- Wenn Sie sich in einer übermäßig feuchten Umgebung befinden, sollten Sie den Rollz Motion Electric sofort abdecken, um Schäden zu vermeiden. Wenn Sie sich mit dem Rollz Motion Electric auf einem nassen, rutschigen Untergrund befinden, please proceed with caution, und wenn Sie bemerken, dass eines der Antriebsräder die Traktion verliert, sollten Sie den Rollz Motion Electric sofort anhalten, um einen Kontrollverlust zu vermeiden.
- Setzen Sie den Rollz Motion Electric nicht bei Temperaturen, die kälter als  $-5\text{ °C}$  /  $23\text{ °F}$  und wärmer als  $45\text{ °C}$  /  $113\text{ °F}$  sind.
- Die Oberflächentemperaturen des Produkts können steigen/fallen, wenn sie externen Wärme- oder Kältequellen ausgesetzt werden.
- Nicht alle Teile des Rollz Motion Electric sind 100% wasserdicht. Eine sehr feuchte Umgebung kann zu Rost und Korrosion an oder in Ihrem Rollz Motion Electric führen.

## Elektromagnetische Störungen

Interferenzen mit elektronischen Quellen können dazu führen, dass der Rollz Motion Electric nicht wie gewohnt reagiert. Elektrische Quellen wie Sendemasten, Radio- und Fernsehsender und Mobiltelefone können ein Magnetfeld erzeugen, das zu dauerhaften Schäden an dem elektrischen System und/oder den Bremsen führen kann.

Der Benutzer sollte Folgendes beachten:

- Verwenden Sie keine drahtlosen Kommunikationsgeräte, während Sie das elektrische Unterstützungssystem benutzen.
- Halten Sie sich von Funkquellen fern.
- Schalten Sie den Rollz Motion Electric sofort aus, wenn Sie unkontrollierte Bewegungen bemerken.

Der Rollz Motion Electric kann den Betrieb von Geräten in seiner Umgebung stören, die elektromagnetische Felder aussenden (Alarmsysteme von Geschäften, automatische Türen usw.).

### **Wer kann von diesem Produkt profitieren?**

Der Rollz Motion Electric eignet sich für Personen mit einem Gewicht von bis zu 100 kg / 220 lbs. / 15 st 10,5 lb, die 160-190 cm / 5 ft 3" bis 6 ft 3" groß sind (siehe **Produktspezifikationen**)

Der Rollz Motion Electric dient als Gehhilfe für Menschen mit eingeschränkter Mobilität, vor allem in Innenräumen (Joystick-gesteuert und mit Unterstützungssystem), aber auch im Freien (durch eine Begleitperson gesteuert mit Schiebehilfe und Joysticksteuerung, in Situationen wie in dieser Anleitung beschrieben). Der Rollz Motion Electric eignet sich zum Gehen, Fahren und Schieben auf harten, ebenen Untergründen. Bei Nutzung als Rollator kann sich der Benutzer auf dem Sitz ausruhen. Das Rollstuhlpaket bietet die Möglichkeit, den Rollator während einer Reise einfach in einen Elektrorollstuhl zu verwandeln. Der Benutzer kann im Elektrorollstuhl sitzen und das elektrische Unterstützungssystem benutzen, während er geschoben wird und die Schiebehilfe eingeschaltet ist, oder er kann sich mit Hilfe des Joysticks selbst transportieren.

### **Wer sollte den Rollz Motion Electric nicht verwenden (Kontraindikation)**

Der Rollz Motion Electric ist nicht für Personen geeignet:

- Mit Wahrnehmungsstörungen, die es ihnen erschweren, Hindernisse vor sich zu sehen;
- Mit schweren Gleichgewichtsstörungen, die sie daran hindern, mit einem Rollator zu gehen;
- Die beim Gehen oder Sitzen desorientiert oder schwindlig werden;
- Die nur weniger als fünf Minuten hinter einem Rollator stehen können;
- Mit Sitzproblemen, die es schwierig machen, bequem auf dem Sitz oder im Elektrorollstuhl zu sitzen.

- Menschen, die eine eingeschränkte Handfunktion haben.
- Mit einem Gewicht von mehr als 100 kg / 220 lbs.

## Wiederverwendung

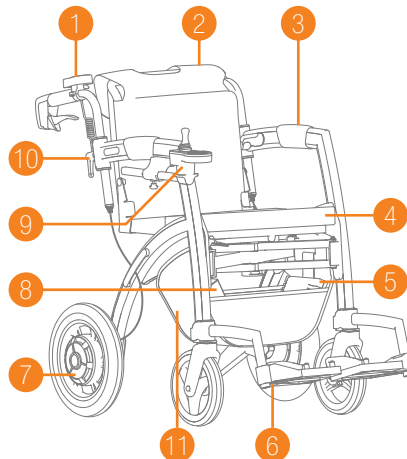
- Der Rollz Motion Electric ist zur Wiederverwendung geeignet.
- Geben Sie zur sicheren Wiederverwendung die gesamte technische Dokumentation an den neuen Benutzer weiter. Die neueste Version der Bedienungsanleitung finden Sie unter [www.rollz.de](http://www.rollz.de).
- Vergewissern Sie sich beim Ausleihen Ihres Rollz Motion Electric, dass der Benutzer die Bedienungsanleitung vor der Verwendung des Produkts gelesen hat.
- Bevor Sie den Rollz Motion Electric an einen neuen Benutzer weitergeben, sollte er vom Händler gereinigt, desinfiziert und auf Schäden überprüft werden, um sicherzustellen, dass der Rollz Motion Electric sicher verwendet werden kann.

## AUSPACKEN

### Prüfen Sie, ob Ihre Lieferung vollständig ist

Der Rollz Motion Electric wird verpackt geliefert. Überprüfen Sie, ob alle unten aufgeführten Teile gemäß **(Abbildung 2)** geliefert worden sind:

1. Steuerelement
2. Rollstuhl-paket
3. Armlehnen (x2)
4. Sitzkissen
5. Motorsteuerung
6. Verstellbare Fußstützen (x2) mit Inbusschlüssel
7. Hinterradmotoreinheit (x2)
8. Li-Ionen-Akku
9. Joystick-Steuerung
10. Griffe für die Einstellung
11. Tasche
12. 3-in-1-Halterung
13. Pumpe für die Luftreifen



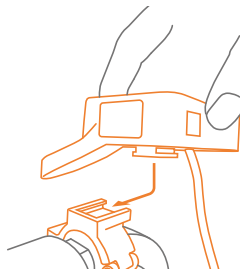
**Abbildung 2: Überblick über die Komponenten des Rollz Motion Electric.**



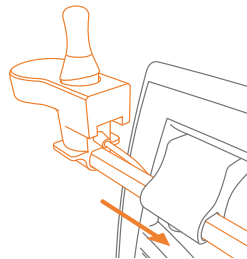
## Anbringen des Steuerelements und der Joystick-Steuerung

Bevor Sie den Rollz Motion Electric verwenden können, müssen die beiden Steuerungen angebracht werden. Wenn die Steuerungen nicht ordnungsgemäß angebracht sind, kann der Rollz Motion Electric ein unerwartetes und unsicheres Verhalten zeigen.

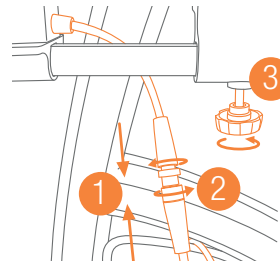
- a. Bringen Sie das Steuerelement an (**Abbildung 3**). Ein Klicken ist zu hören, wenn die richtige Position erreicht ist.
- b. Stecken Sie das Kabel der Joystick-Steuerung ab (falls erforderlich). Schieben Sie die Joystick-Steuerung durch das Loch in der Halterung. Vergewissern Sie sich, dass das Kabel zwischen dem Rahmen und dem Steuergerät verläuft, wie in (**Abbildung 4**) gezeigt.
- c. Schließen Sie das Kabel (wieder) an (**Abbildung 5**) und ziehen Sie das Steuergerät durch Drehen des Knopfes fest.



**Abbildung 3:** Bringen Sie das Steuerelement an.



**Abbildung 4:** Schieben Sie die Joystick-Steuerung in die Halterung.



**Abbildung 5:** Verbinden Sie (1&2) und schrauben (3) Sie die Steuerung fest.

## Anbringen der 3in1-Halterung

Die 3in1-Halterung lässt sich ohne Werkzeug anbringen:

- a. Die beiden Halterungen werden vor den Armlehnen platziert, wobei die runden Formen einander gegenüberliegen.
- b. Befestigen Sie die Halterungen, indem Sie sie auf den Rahmen schieben und herunterdrücken (**Abbildung 6**).
- c. Die 3in1-Halterung kann das Rollstuhlpaket (oberhalb des Sitzes), einen Stock und eine Einkaufstasche gleichzeitig halten.

- d. Befolgen Sie die Anweisungen in der Bedienungsanleitung, die der 3in1-Halterung beiliegt, um zu sehen, wie Sie das Rollstuhlpaket, den Stock und die Taschen in die Halterungen befestigen.
- e. Der Rollz Motion Electric kann auch ohne der 3in1-Halterung verwendet werden.



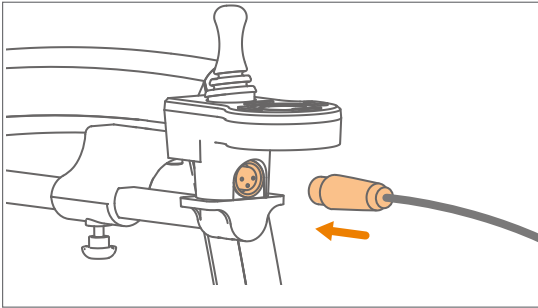
#### HINWEIS

Packen Sie nicht mehr als 2,5 kg / 5,5 lb. in jede Tasche und überladen Sie sie nicht.



#### Aufladen des Rollz Motion Electric

Der Akku wird über die Ladebuchse unter der Joystick-Steuerung aufgeladen (**Abbildung 7**). Stecken Sie den Stecker des mitgelieferten Ladegeräts in die Ladebuchse. Stecken Sie das Ladegerät in die Steckdose. Der Rollz Motion Electric wird geladen, wenn die Anzeigeleuchte am Ladeadapter rot leuchtet. Wenn der Akku vollständig aufgeladen ist, leuchtet die Anzeige grün. Der Ladevorgang dauert 4-5 Stunden.



**Abbildung 7:** Stecken Sie das Verbindungsstück in die Ladebuchse.



### Warnhinweise

- Verwenden Sie keine Metallgegenstände oder Werkzeuge, um den Akku mit dem Ladegerät zu verbinden.
- Bewegen Sie den Rollz Motion Electric nicht, wenn der Akku geladen wird.
- Ersetzen Sie keine Originalteile am Rollz Motion Electric durch Nachbauteile (z. B. Motor und Ladegerät).
- Das Kabel des Ladegeräts darf nicht gequetscht oder verdreht werden.
- Rauchen und Flammen sind in der Nähe eines aufladenden Akkus verboten.
- Halten Sie das Ladegerät von Kindern und Haustieren fern.
- Wenn eine Störung im elektronischen Schaltkreis auftritt, informieren Sie so schnell wie möglich Ihren Händler.
- Stellen Sie den Akku und das Ladegerät während des Ladevorgangs in einem offenen Raum auf. Stellen Sie keine Gegenstände auf das Ladegerät, den Akku oder das Kabel. Stellen Sie das Ladegerät während des Ladevorgangs nicht in der Nähe von Wärmequellen auf.
- Verwenden Sie den Akku und das Ladegerät nicht bei Temperaturen unter  $-5^{\circ}\text{C}$  und über  $40^{\circ}\text{C}$ .
- Halten Sie Werkzeuge und andere Metallgegenstände vom Akku fern. Der Kontakt mit Metallgegenständen kann zu Stromschlägen und Kurzschlüssen führen.
- Halten Sie den Akku von brennbaren Materialien fern. Vermeiden Sie den Kontakt mit offenen Flammen und Funken

- Der Akku enthält ätzende Substanzen. Öffnen Sie niemals den Akkupack.

### **Recycling Verpackungsmaterial**

Der Verpackungskarton besteht aus Karton, der mit Papier recycelt werden kann. Die schützenden Schaumstoffblöcke sind aus Kunststoff gefertigt. Diese und die Plastiktüten können mit Kunststoff recycelt werden.



#### ***WARNHINWEISE***

Halten Sie das Verpackungsmaterial aus Kunststoff wegen Erstickungsgefahr von Kindern fern.

## VERWENDUNG ALS ROLLATOR

Der Rollz Motion Electric wird komplett einsatzbereit geliefert. Sie müssen nur das Steuerelement und die Joystick-Steuerung befestigen (siehe oben) und die Griffe auf die richtige Höhe einstellen. Bitte beachten Sie, dass Sie den Rollz Motion Electric nicht als Rollator verwenden sollten, wenn die elektrische Unterstützung eingeschaltet ist. Lesen Sie alle Punkte sorgfältig durch, bevor Sie den Rollz Motion Electric als Rollator benutzen:

- Was befindet sich wo?
- Aufklappen & Zusammenklappen
- Transportieren
- Einstellen der Höhe für eine korrekte Körperhaltung
- Gehen mit dem Rollz Motion Electric - als Rollator
- Bedienung der Bremsen
- Ausruhen auf dem Rollz Motion Electric
- Verwendung der Tasche
- Überfahren von Schwellen und Bordsteinen

### Was befindet sich wo?

#### (Abbildung 8):

1. Griffe
2. Rahmen
3. Hinterräder mit Trommelbremsen
4. Roter Entriegelungsgriff zum Zusammenklappen des Rollators
5. Vorderräder
6. Vorne

#### (Abbildung 9):

7. Handbremsen
8. Hebel der Feststellbremse
9. Höhenskala
10. Einstellgriffe
11. Stellschrauben zum Einstellen der Bremsen
12. Ankipphilfe
13. Sitzkissen

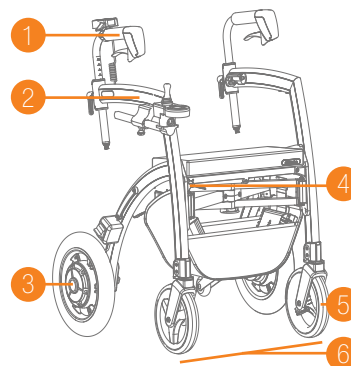


Abbildung 8: Was befindet sich wo.

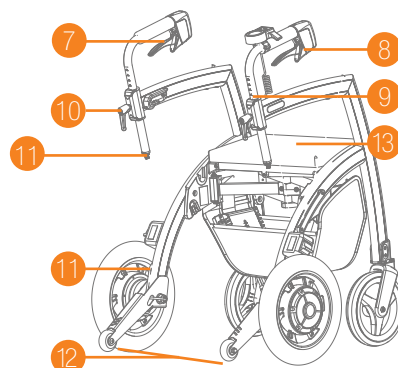


Abbildung 9: Was befindet sich wo.

## Aufklappen & Zusammenklappen

Zusammengeklappt bildet der Rollz Motion Electric ein kompaktes Paket, das in fast jedes Auto passt.

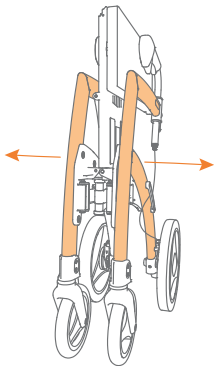
Das Aufklappen geht wie folgt:

- a. Ziehen Sie die Rahmenseiten des Rollz Motion Electric auseinander, bis er fast vollständig aufgeklappt ist (**Abbildung 10**).
- b. Drücken Sie den Sitz nach unten, bis er einrastet. Wichtig: Der Sitz ist erst gesichert, wenn er deutlich hörbar "einrastet" (**Abbildung 11**).
- c. Ziehen Sie das Sitzkissen ab und legen Sie es gerade auf den Sitz (**Abbildung 12**).

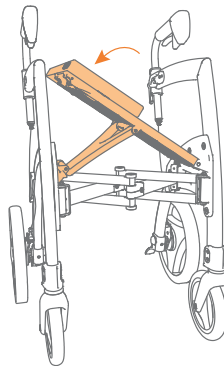


### VORSICHT

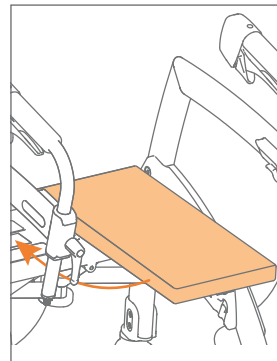
Überprüfen Sie ein weiteres Mal, ob der Sitz eingerastet ist. Heben Sie dazu den Sitz vorsichtig in der Mitte an, um sicherzustellen, dass er richtig eingerastet ist. Nur dann kann der Rollz Motion Electric sicher verwendet werden.



**Abbildung 10:** Ziehen Sie den Rahmen nach außen, um ihn aufzuklappen.



**Abbildung 11:** Drücken Sie den Sitz nach unten, bis Sie ein Klicken hören.



**Abbildung 12:** Ziehen Sie das Kissen ab und befestigen Sie es auf dem Sitz.

Das Zusammenklappen geht folgendermaßen:

- a. Bevor Sie den Rahmen zusammenklappen, sollte die Tasche unter dem Sitz geleert werden, Kabel und Akkupack bleiben in der Tasche.
- b. Entfernen Sie das Rollstuhlpaket, wenn es an dem Rollator angebracht ist. Lesen Sie dazu die Anleitung **Entfernen des Rollstuhlpakets**.
- c. Ziehen Sie das Sitzkissen ab, drehen Sie es um 90 Grad und legen Sie es quer auf die Seite, wo sich der rote Griff befindet (**Abbildung 13**).

- d. Drücken Sie den roten Entriegelungsgriff unter den Sitz (**Abbildung 14**) und heben Sie den Sitz ein Stück an (**Abbildung 15**).
- e. Drücken Sie die Seiten des Rahmens zusammen, bis der Rollator vollständig zusammengeklappt ist (**Abbildung 16**).

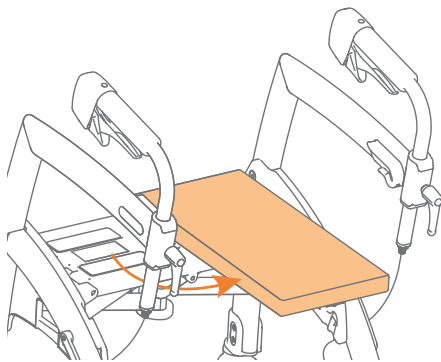


**HINWEIS**

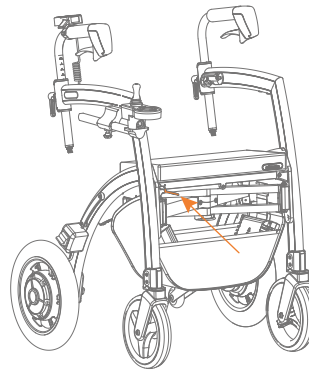
Wenn Sie den Rahmen zusammenklappen, darf sich in der Tasche unter dem Sitz nur der Akkupack und die Motorsteuerung befinden, und das Rollstuhlpaket sollte abgenommen werden.

**Transport**

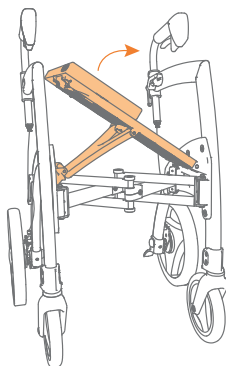
Es ist zwingend erforderlich, den Rollz Motion Electric während des Transports auszuschalten und es wird dringend empfohlen, die Feststellbremse anzuziehen.



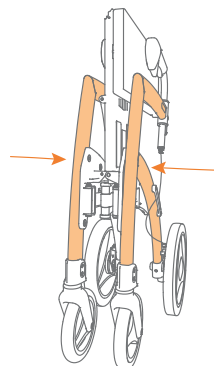
**Abbildung 13:** Legen Sie das Sitzkissen quer.



**Abbildung 14:** Drücken Sie den roten Griff, während Sie den Sitz anheben.

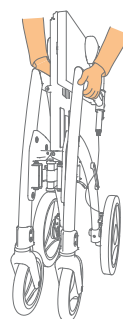


**Abbildung 15:** Heben Sie den Sitz ein Stück an.



**Abbildung 16:** Schieben Sie den Rahmen weiter zusammen.

Stellen Sie sicher, dass Ihr Rollz Motion Electric während des Transports in dem dafür vorgesehenen Stauraum, z. B. im Kofferraum, platziert wird. Stellen Sie sicher, dass der Rollz Motion Electric während des Transports sicher steht/liegt und sich nicht frei bewegen kann. Dadurch werden Schäden an Ihnen oder Ihrem Rollz Motion Electric vermieden. Achten Sie auch darauf, dass Sie den Joystick und das Steuerelement abnehmen und getrennt transportieren.



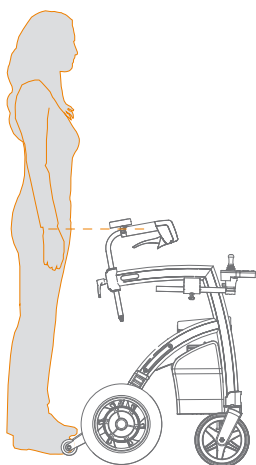
**Abbildung 17:** So heben Sie den Rollz Motion Electric an.

Heben Sie den Rollz Motion Electric nur an den Rahmenteilen an, siehe **Abbildung 17**.

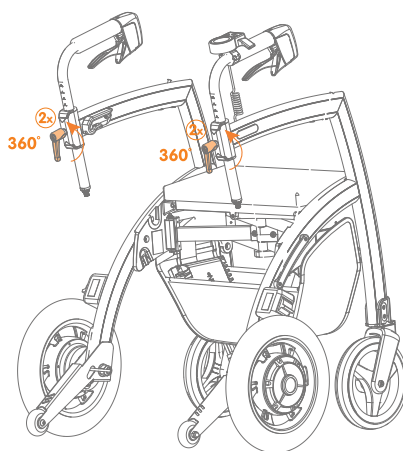
### **Einstellen der Höhe für eine korrekte Körperhaltung**

Die Einstellung der richtigen Höhe (**Abbildung 18**) ist entscheidend für eine optimale Nutzung des Rollz Motion Electric. Die Höhe kann zwischen der minimalen und maximalen Position eingestellt werden. Auf diese Weise kann der Rollz Motion Electric leicht an die individuellen Bedürfnisse angepasst werden.

- a. Lösen Sie die Einstellgriffe an den Griffen gegen den Uhrzeigersinn (**Abbildung 19**) und (**Abbildung 20**).
- b. Schieben Sie die Griffe auf die richtige Höhe (**Abbildung 21**).
- c. Um die richtige Höhe zu bestimmen, stellen Sie sich zwischen die Griffe des Rollz Motion Electric, wobei Ihre Arme nahe am Körper hängen. Die Griffe sollten sich auf der Höhe Ihrer Handgelenke befinden (**Abbildung 18**).



**Abbildung 18:** Bestimmen Sie die richtige Höhe.

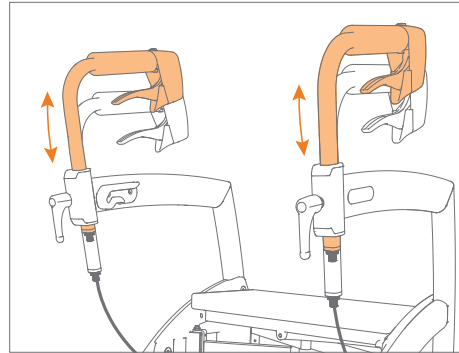


**Abbildung 19:** Lösen Sie die Einstellgriffe.



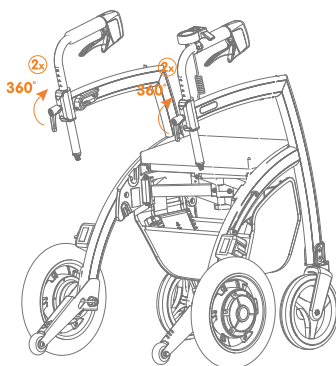


**Abbildung 20:** Drehen Sie sie gegen den Uhrzeigersinn.

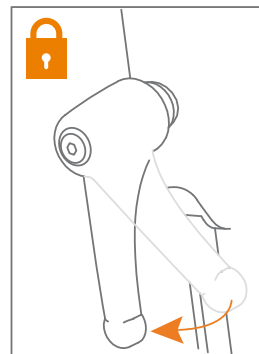


**Abbildung 21:** Stellen Sie die richtige Höhe ein.

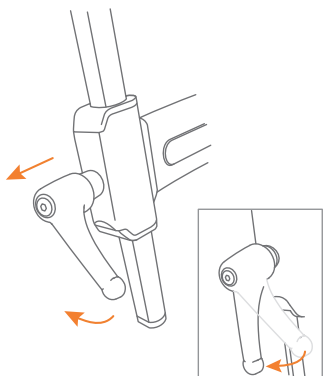
- d. Prüfen Sie anhand der Höhenskala, ob sich beide Griffe auf der gleichen Höhe befinden.
- e. Stellen Sie sicher, dass die Griffe in einer geraden Linie über dem Rahmen des Rollz Motion Electric positioniert sind und nach vorne zeigen.
- f. Drehen Sie die Einstellgriffe im Uhrzeigersinn, um sie festzuziehen (**Abbildung 22**) und (**Abbildung 23**).
- e. Stellen Sie die Einstellgriffe senkrecht, so dass sie gerade nach unten zeigen. Ziehen Sie dazu den Einstellgriff vorsichtig zu sich und drehen Sie ihn in die richtige Position (**Abbildung 24**).



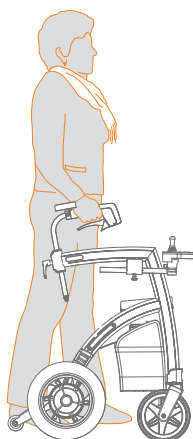
**Abbildung 22:** Ziehen Sie die Einstellgriffe fest.



**Abbildung 23:** Festziehen.



**Abbildung 24:** Stellen Sie den Einstellgriff in die richtige Position.



**Abbildung 25:** Gehen Sie aufrecht neben dem Rollator her.



### VORSICHT

Stellen Sie immer beide Griffe auf die gleiche Höhe ein, um die Stabilität zu gewährleisten. Wenn die Höhe falsch eingestellt ist, kann dies zu einem Ungleichgewicht führen, das die Verletzungsgefahr erhöht. Wenn der Rollator nicht auf die richtige Höhe eingestellt ist, kann dies zu Nacken- oder Rückenschmerzen führen.

## Gehen mit dem Rollz Motion Electric - als Rollator

Dank des ergonomischen Designs können Sie mit dem Rollz Motion Electric aufrecht, stabil und bequem gehen.

- a. Stellen Sie zunächst sicher, dass die Griffe auf die richtige Höhe eingestellt sind. Siehe oben unter **Einstellen der Höhe für eine korrekte Körperhaltung**.
- b. Stellen Sie sich beim Gehen zwischen die Griffe und stützen Sie sich bei Bedarf auf den Rollz Motion Electric. Auf diese Weise gehen Sie so nah wie möglich an der Gehhilfe, was die beste Unterstützung bietet (**Abbildung 25**).
- c. Halten Sie Ihre Arme und Hände entspannt, das verhindert zu viel Spannung.
- d. Behalten Sie Ihre Umgebung im Auge. Richten Sie Ihren Blick nicht nach unten, sondern nach vorne, das verbessert das Gleichgewicht.



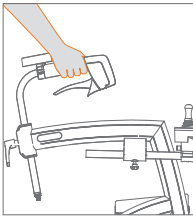
### VORSICHT

Schauen Sie beim Gehen mit dem Rollator immer nach vorne, um einen sicheren Weg zu finden.

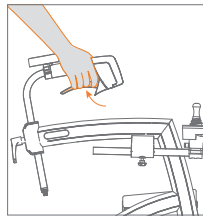


**WARNUNG**

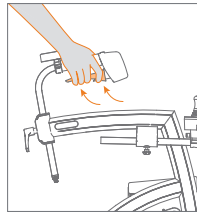
Verhindern Sie, dass Sie mit einem oder allen Rädern in ein Loch oder unebenes Gelände fahren. Der Rollator könnte schräg kippen und Sie könnten stürzen. Auch der Rollator könnte beschädigt werden.



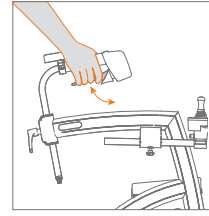
**Abbildung 26: Fahren.**



**Abbildung 27: Bremsen.**



**Abbildung 28: Anziehen der Feststellbremse.**



**Abbildung 29: Lösen der Feststellbremse.**

**Bedienung der Bremsen**

Der Rollz Motion Electric hat fortschrittliche Trommelbremsen, die bei allen Wetterbedingungen funktionieren. Die Bremsen sind einfach zu bedienen und können eine unterschiedliche Bremsleistung bieten. Je stärker Sie die Bremsen betätigen, desto stärker bremsen Sie. Die Bremsen können beim Abstellen des Rollz Motion Electric blockiert werden, damit er nicht wegrollt. Testen Sie die Bremskraft regelmäßig, insbesondere vor der ersten Benutzung, um bewusst wahrzunehmen, wie sie funktionieren.

- a. Legen Sie beim Gehen die Finger locker um die Griffe (**Abbildung 26**). Sie können sie auch um die Handbremsen legen, wobei der Daumen an der Innenseite des Griffs liegt.
- b. Ziehen Sie die Handbremsen zum Bremsen an (**Abbildung 27**).
- c. Möchten Sie die Feststellbremse betätigen, um sicherzustellen, dass der Rollator nicht wegrollt? Ziehen Sie zuerst die Handbremsen an und betätigen Sie gleichzeitig die Hebel der Feststellbremse. Lassen Sie dann die Bremsen los. Ihr Rollator befindet sich nun in der Parkposition (**Abbildung 28**).
- d. Um den Rollator aus der Parkposition zu lösen, ziehen Sie die Handbremsen erneut an und lassen sie los (**Abbildung 29**). Der Rollator befindet sich nun nicht mehr in der Parkposition.



**WARNUNG**

Wenn Sie gehen und die Bremsen zu stark betätigen, kann der Rollz Motion Electric abrupt anhalten.

## Ausruhen auf dem Rollz Motion Electric

Der Rollz Motion Electric bietet Ihnen beim Gehen Unterstützung. Wenn Sie eine Pause machen möchten, können Sie sich auch darauf setzen.

- a. Ziehen Sie immer die Feststellbremse an, bevor Sie versuchen, sich zu setzen (siehe **Bedienung der Bremsen**), da der Rollz Motion Electric sonst wegrollen kann, während Sie versuchen, sich zu setzen oder während Sie auf ihm sitzen.
- b. Setzen Sie sich von hinten auf den Rollatorsitz (**Abbildung 30**). Achten Sie immer darauf, dass der Rollz Motion Electric in der Parkposition steht.

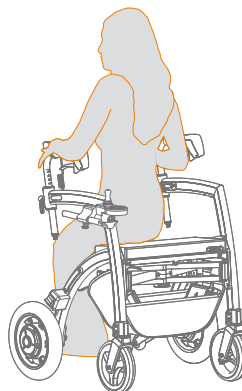


### VORSICHT

Setzen und bewegen Sie sich auf dem Rollz Motion Electric nur, wenn das Rollstuhlpaket angebracht ist. Wenn das Rollstuhlpaket nicht angebracht ist, ist der Rollz Motion Electric nicht geeignet, um sich im Sitzen fortzubewegen. Er ist nicht für diesen Zweck konzipiert. Sie könnten dabei stürzen, mit allen damit verbundenen Risiken.

## Verwendung der Tasche

- a. Sie können von der Rückseite des Rollz Motion Electric aus in die Tasche unter dem Sitz greifen.
- b. Die Tasche kann mit einem Gewicht von maximal 6 kg / 13 lbs. belastet werden.
- c. Wenn die Tasche leer ist, abgesehen vom Akkupack und der Motorsteuerung, kann sie beim Zusammenklappen des Rahmens befestigt bleiben.



**Abbildung 30: Sitzen auf dem Rollatorsitz.**

### HINWEIS

Überladen Sie die Tasche nicht.

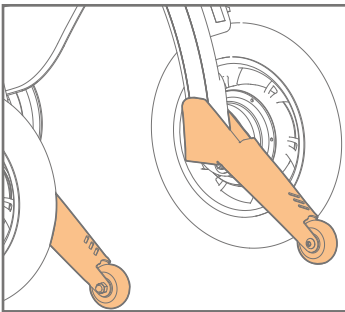
## Überfahren von Schwellen und Bordsteinen

Um Gehsteige bis zu einer Höhe von ca. 12 cm / 4.7 inch oder Schwellen problemlos zu überwinden, verfügt der Rollz Motion Electric über zwei Ankipphilfen.

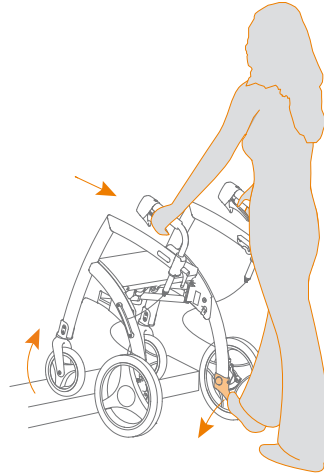
- a. Stellen Sie den Rollz Motion Electric Rollator mit den Vorderrädern gegen die Schwelle oder den Bordstein.
- b. Drücken Sie die linke oder rechte Ankipphilfe (**Abbildung 31**) mit dem linken oder rechten Fuß nach unten, während Sie den Rollz Motion Electric mit den Händen zu sich ziehen. Auf diese Weise heben die Vorderräder vom Boden ab. Schieben Sie nun den Rollz Motion Electric nach vorne, bis Sie mit den Vorderrädern deutlich auf dem Bordstein

stehen oder die Schwelle deutlich überwunden haben (**Abbildung 32**).

- c. Stellen Sie die Vorderräder auf den Gehweg oder den Boden.
- d. Schieben Sie dann den Rollator weiter vorwärts, bis die Hinterräder ebenfalls vollständig auf dem Bürgersteig stehen oder die Schwelle überwunden haben.



**Abbildung 31: Verwenden der Ankipphilfe.**



**Abbildung 32: Auf die Bordsteinkante oder den Bürgersteig steigen oder über eine Schwelle gehen.**

## VOM ROLLATOR ZUM ELEKTOROLLSTUHL

Der Rollz Motion Electric wird mit einem Rollstuhlpaket geliefert. Dieses Paket kann vor der Abfahrt am Rollz Motion Electric angebracht werden (**Abbildung 33**). So lässt sich der Rollator unterwegs in weniger als einer Minute in einen Elektrorollstuhl verwandeln. Sie müssen nur das Rollstuhlpaket hochziehen, die Fußstützen auf den Rahmen setzen und die Griffe drehen. Dann können Sie sich in den Elektrorollstuhl setzen. Mit dem elektrischen Unterstützungssystem können Sie auch im Stuhl sitzen und selbst fahren, indem Sie den Joystick benutzen, oder die Person, die den Elektrorollstuhl schiebt, kann das Steuerelement benutzen. Der Elektrorollstuhl lässt sich leicht wieder in eine Gehhilfe verwandeln.



### VORSICHT

Der Rollz Motion Elektrorollstuhl kann ein maximales Gewicht von 100 kg oder 220 lbs. tragen. Dieser Elektrorollstuhl ist nur für die Benutzung durch eine einzelne Person vorgesehen. Wenn mehrere Personen auf dem Elektrorollstuhl oder Rollator sitzen, kann der Rollz Motion Electric beschädigt werden.



## WARNUNG

Während des Transports in einem rollstuhlgerechten Taxi, Bus, Zug oder einem anderen Fahrzeug kann der Benutzer nicht im Rollz Motion Electric sitzen bleiben. Der Elektrorollstuhl ist für diese Verwendung nicht bestimmt. Der Rollz Motion Electric kann nicht mit dem Flugzeug transportiert werden, außer wenn der Akku entfernt wird.

## Was befindet sich wo beim Rollz Motion Electric

1. Rollstuhlpaket
2. Roter Griff
3. Verriegelungsbolzen
4. Aussparung hinter dem Sitz
5. Obere Führungsschienen am Rahmen
6. Rückenlehne
7. Fußstützenhalter
8. Fußstützen
9. Armlehnen
10. Tragegriff Rollstuhlpaket

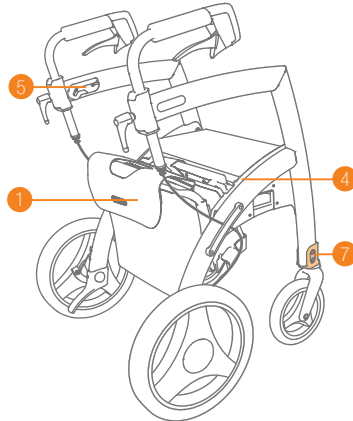


Abbildung 33: Rollz Motion Electric Rollator mit montiertem Rollstuhlpaket.

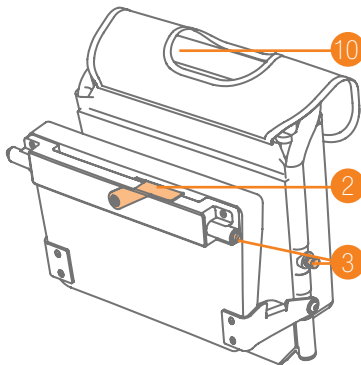


Abbildung 34: Rollstuhlpaket

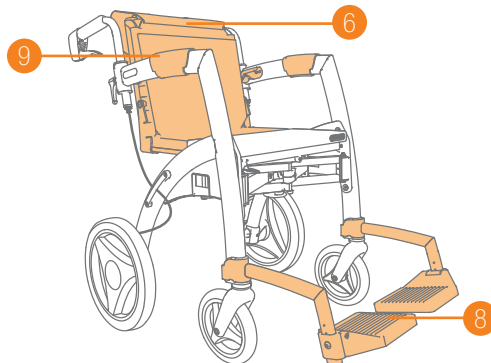


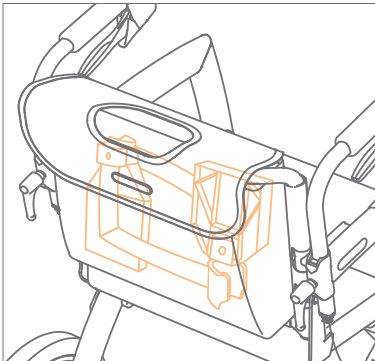
Abbildung 35: Rollz Motion Electric als elektrischer Rollstuhl.

## Verwendung des Rollz-Rollstuhlpakets

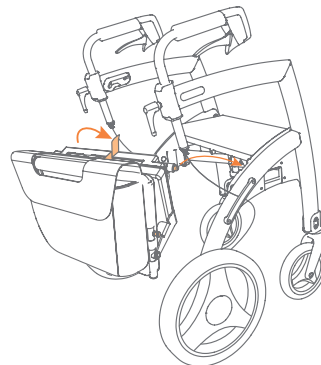
### HINWEIS

Wenn Sie den roten Griff mit Kraft herunterdrücken, kann der Rollz Motion Electric beschädigt werden.

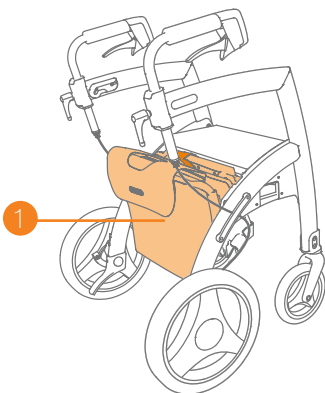
- a. Halten Sie das Rollz-Rollstuhlpaket mit der Tasche zu Ihnen hin (**Abbildung 36**).
- b. Heben Sie mit der anderen Hand den roten Griff an, so dass die Verriegelungsbolzen eingezogen werden.
- c. Legen Sie das Rollz-Rollstuhlpaket in die beiden Aussparungen hinter dem Sitz (**Abbildung 37**) und (**Abbildung 38**).



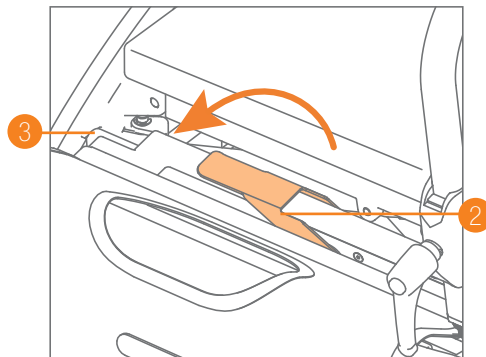
**Abbildung 36:** Fußstützen in der Tasche des Transportstuhlpakets.



**Abbildung 37:** Anbringen des Rollstuhlpakets.



**Abbildung 38:** Befestigtes Rollstuhlpaket.



**Abbildung 39:** Verriegeln des Rollstuhlpakets.

- d. Drücken Sie den roten Griff ohne Kraftaufwand wieder nach unten, um das Rollstuhlpaket zu verriegeln. Die Verriegelungsbolzen verlängern sich, so dass das Paket richtig gesichert ist (**Abbildung 39**). Sie können nun den Rollz Motion Electric als Rollator nutzen und dabei das Rollstuhlpaket mit sich führen.
- e. Wenn sich der rote Griff nicht ohne Kraftaufwand nach unten drücken lässt, nehmen Sie das Rollstuhlpaket wieder aus den Aussparungen hinter dem Sitz und versuchen Sie es erneut. Wenden Sie sich bitte an Ihren Händler, wenn Sie nach mehreren Versuchen immer noch Schwierigkeiten haben.

## Aufklappen des Rollz-Rollstuhlpaket

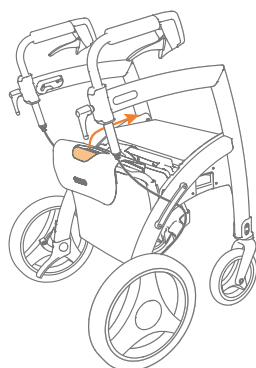
- a. Bringen Sie das Rollstuhlpaket am Rollz Motion Electric an, bevor Sie losfahren (**Abbildung 37**).
- b. Um die Gehhilfe in einen Elektrorollstuhl umzubauen, muss das Rollstuhlpaket hochgezogen werden. Nehmen Sie den Griff des Rollstuhlpakets und ziehen Sie ihn leicht nach oben und nach vorne bis zur Hälfte des Rahmens (**Abbildung 40**).
- c. Ziehen Sie die Rückenlehne weiter nach oben und dann nach hinten (**Abbildung 41**), so dass die Verriegelungsbolzen in die oberen Führungsschienen am Rahmen einrasten (**Abbildung 42**). Wenn die oberen Verriegelungsbolzen nicht reibungslos in die oberen Führungsschienen am Rahmen gleiten, schieben Sie die Rückenlehne wieder bis zur Hälfte des Rahmens nach vorne und versuchen Sie es erneut.

### HINWEIS

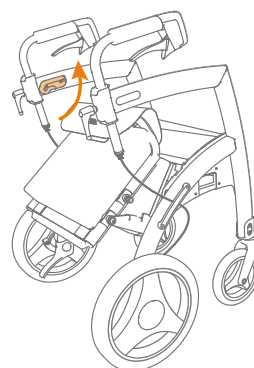
Wenden Sie keine Kraft an, wenn das Hochziehen des Rollstuhlpakets nicht leichtgängig ist. Dadurch kann das Rollstuhlpaket beschädigt werden. Wenden Sie sich an Ihren Händler, wenn das Problem auch nach mehreren Versuchen bestehen bleibt.

- d. Lösen Sie die Einstellgriffe gegen den Uhrzeigersinn (**Abbildung 43**) und drehen Sie die Griffe außen herum, bis sie nach hinten zeigen (**Abbildung 44**). Stellen Sie die Höhe für die Person ein, die den Elektrorollstuhl schiebt, und drehen Sie die Einstellgriffe im Uhrzeigersinn, um sie festzuziehen (**Abbildung 45**). Siehe auch **Einstellen der Höhe für eine korrekte Körperhaltung**.
- e. Nehmen Sie die Fußstützen aus der Tasche des Elektrorollstuhls und platzieren Sie sie an der Vorderseite des Rollz Motion Electric in die Fußstützenhalterungen am Rahmen. Schieben Sie sie von der Oberseite der Fußstützenhalterung nach unten (**Abbildung 46**). Wenden Sie keine Gewalt an, wenn die Fußstützen nicht reibungslos über die Fußstützenhalterung gleiten. Nehmen Sie sie ab und versuchen Sie es erneut.
- f. Der Elektrorollstuhl ist nun einsatzbereit (**Abbildung 47**).





**Abbildung 40:** Ziehen Sie die Rückenlehne nach oben und nach vorne.



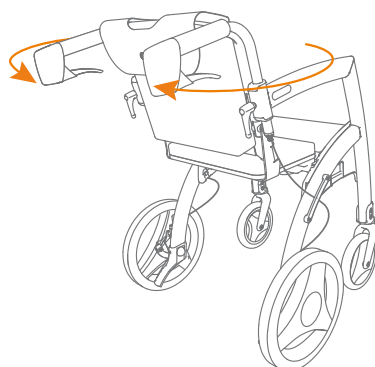
**Abbildung 41:** Ziehen Sie die Rückenlehne weiter nach oben.



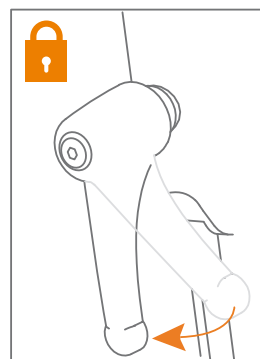
**Abbildung 42:** Klicken Sie die Rückenlehne in die Führungsschienen ein.



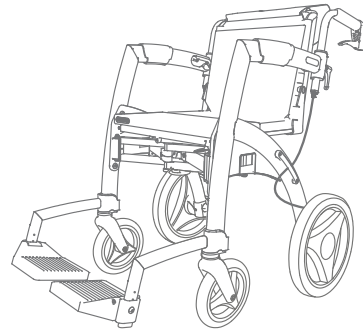
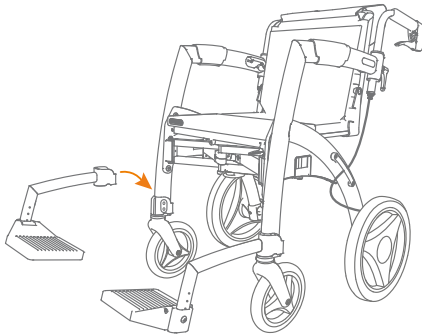
**Abbildung 43:** Lösen Sie die Einstellgriffe.



**Abbildung 44:** Griffe drehen.



**Abbildung 45:** Ziehen Sie die Einstellgriffe fest.



**Abbildung 48:** Platzieren Sie die Fußstützen. **Abbildung 49:** Der Elektrorollstuhl ist einsatzbereit.



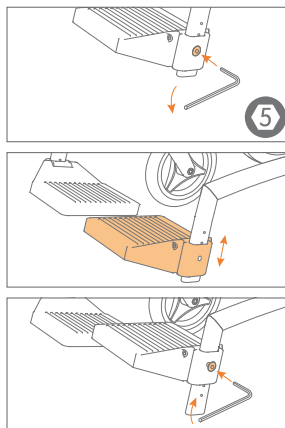
### VORSICHT

Vergewissern Sie sich vor dem Hinsetzen immer, dass die Verriegelungsbolzen korrekt in den Führungsschienen befestigt sind. Setzen Sie sich nicht hin, wenn einer der Verriegelungsbolzen nicht gesichert ist. Versuchen Sie stattdessen, den Sitz erneut zu montieren.

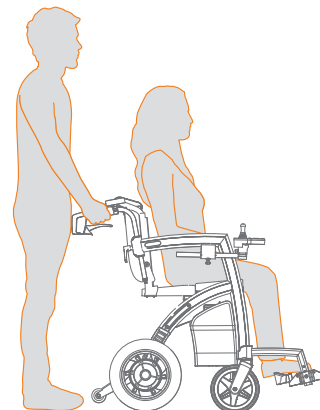
### Einstellen der Fußstützen (einmalig erforderlich)

Der Rollz Motion Electric wird mit zwei verstellbaren Fußstützen geliefert. Sie können diese mit dem mitgelieferten Inbusschlüssel Größe 5 auf die gewünschte Höhe einstellen (**Abbildung 48**).

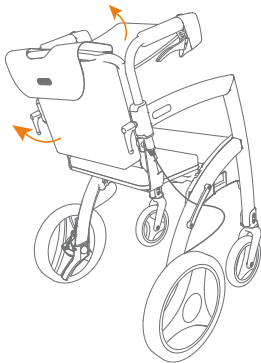
Die richtige Höhe hängt von der Länge des Unterschenkels und der Sitzhaltung des Benutzers ab. Wenn die Fußstützen zu hoch eingestellt sind, wird der Druck auf das Gesäß zu groß. Wenn die Fußstützen zu niedrig eingestellt sind, ist der Druck auf die Oberschenkel zu groß. Korrekt eingestellt sitzt der Benutzer mit den Unterschenkeln in einem Winkel von etwa 90 Grad (**Abbildung 49**). Die Rückseite der Füße kann am Stoff anliegen.



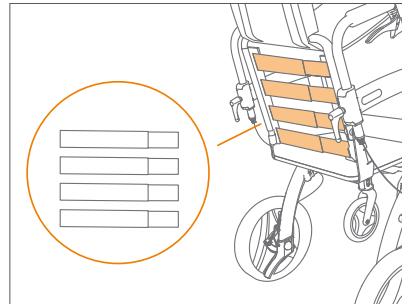
**Abbildung 46:** Einstellen der Höhe der Fußstützen mit einem Inbusschlüssel Größe 5.



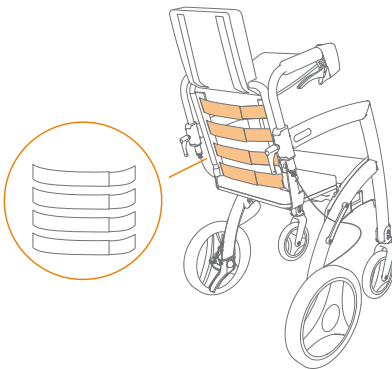
**Abbildung 47:** Gute Sitzposition im Rollstuhl.



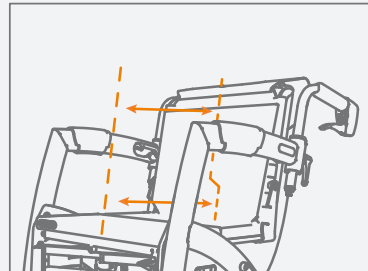
**Abbildung 50:** Einstellgurte freilegen.



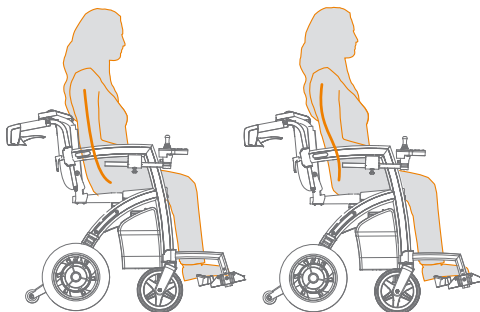
**Abbildung 51:** Vier verstellbare Einstellgurte.



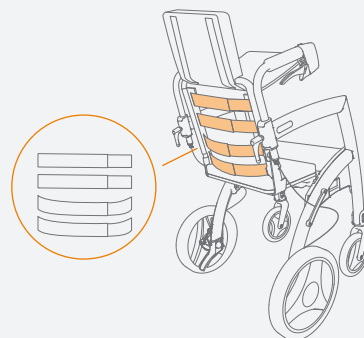
**Abbildung 52:** Lösen für mehr Sitztiefe.



**Abbildung 53:** Die unteren beiden Einstellgurte sind gelockert.



**Abbildung 54:** Vor und nach der Einstellung der Gurte; rechts sehen Sie die richtige Sitzposition.



## **Einstellen der Rückenlehne (einmal erforderlich)**

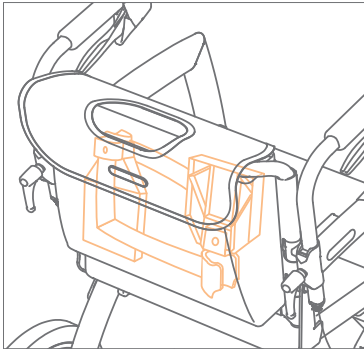
In der Rückenlehne des Rollz-Rollstuhlpakets befinden sich Einstellgurte. Für einen optimalen Sitzkomfort ist es wichtig, diese Einstellgurte auf den Benutzer einzustellen. Dies ist nur bei der ersten Benutzung notwendig - oder wenn der Benutzer größere Gewichtsveränderungen erfahren hat.

- a. Verwandeln Sie den Rollz Motion Electric in einen Elektrorollstuhl (**Abbildung 47**) und nehmen Sie die Fußstützen aus der Tasche des Rollstuhlpakets.
- b. Klappen Sie die Tasche des Rollstuhlpakets und den Bezug der Rückenlehne hoch (**Abbildung 50**). Die Einstellgurte sind nun deutlich sichtbar (**Abbildung 51**).
- c. Stellen Sie die Gurte ein, indem Sie den Klettverschluss lösen und auf der gewünschten Position befestigen (**Abbildung 52**).
- d. Meistens werden die unteren Gurte lockerer eingestellt sein als die oberen beiden Gurte (**Abbildung 53**). Befestigen Sie den Klettverschluss so, dass das Becken des Nutzers richtig aufgerichtet ist und die Rückenlehne den Rücken gut stützt.
- e. Klappen Sie den Rückenlehenbezug und die Rollstuhlpacketasche herunter.
- f. Probieren Sie aus, ob der Nutzer bequem in einer korrekten Sitzposition sitzen kann (**Abbildung 54**).

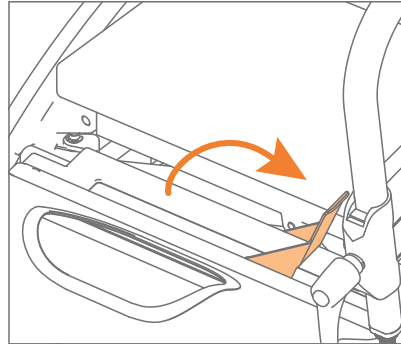
## **Zusammenklappen des Rollstuhlpakets**

Möchten Sie den Elektrorollstuhl in einen Rollator verwandeln?

- a. Entfernen Sie die Fußstützen. Schieben Sie die Fußstützen nach oben, bis sie sich von den Fußstützenhalterungen lösen. Legen Sie sie spiegelverkehrt zueinander in die Tasche des Rollz-Rollstuhlpakets (**Abbildung 55**).
- b. Nehmen Sie den Griff des Rollstuhlpakets und schieben Sie die Rückenlehne bis zur Hälfte des Rahmens nach vorne. Klappen Sie dann die Rückenlehne nach unten, bis sie hinter den Sitz klappt.
- c. Lösen Sie die Einstellgriffe gegen den Uhrzeigersinn und drehen Sie die Griffe außen herum, bis sie gerade nach vorne zeigen. Stellen Sie die für Sie richtige Höhe ein und ziehen Sie die Einstellgriffe im Uhrzeigersinn fest. Siehe auch **Einstellen der Höhe für die richtige Körperhaltung**.
- d. Das Rollstuhlpaket bleibt im zusammengeklappten Zustand an seinem Platz und der Rollator kann zum Gehen verwendet werden.



**Abbildung 55:** Einpacken der Fußstützen spiegelverkehrt zueinander.



**Abbildung 56:** Entriegeln des Rollstuhlpackets.

## Abnehmen des Rollstuhlpackets

- a. Ziehen Sie den roten Griff ohne Kraftaufwand nach oben. Auf diese Weise werden die Verriegelungsbolzen eingezogen und das Rollstuhlpaket entriegelt (**Abbildung 56**).
- b. Halten Sie den Griff des Rollstuhlpackets fest und ziehen Sie es ohne Kraftaufwand nach oben.
- c. Drücken Sie dann den roten Griff nach unten.
- d. Das Paket kann nun zur Seite gelegt werden, z.B. wenn Sie den Rollz Motion Electric in einem Auto transportieren. Die Fußstützen bleiben im Rollstuhlpaket.

## Sicherheitshinweise



### VORSICHT

Stellen Sie sicher, dass die Einstellgurte der Rückenlehne richtig eingestellt sind (siehe **Einstellung der Rückenlehne**). Wenn die Sitztiefe groß genug ist, ist das Gewicht der Person so weit hinten im Sitz wie möglich platziert. Das ist sicherer für den Benutzer, aber auch dem Schiebenden erleichtert es das Schieben. In der Dunkelheit oder bei starkem Regen kann die Sicht auf der Straße beeinträchtigt sein. Suchen Sie gemeinsam nach der besten und sichersten Gehstrecke. Gute Sicht und Sichtbarkeit sind wichtig.

## BENUTZUNG ALS ELEKTOROLLSTUHL - mit einer schiebenden Person

### Anpassen an ihr Tempo

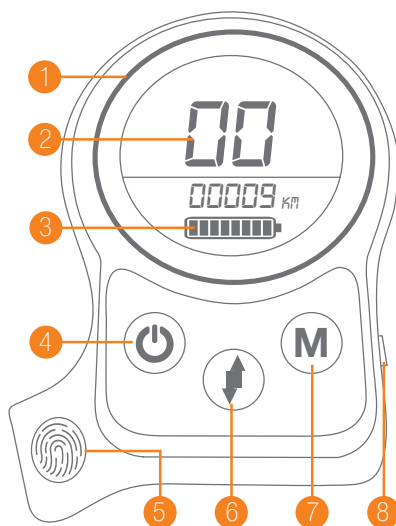
Wer im Elektrorollstuhl sitzt und zum ersten Mal geschoben wird, braucht Zeit, um sich daran zu gewöhnen. Das Gleiche gilt für die Person, die den Rollstuhl schiebt. Die Person, die den Rollstuhl schiebt, und die Person, die im Elektrorollstuhl sitzt, sollten sich regelmäßig über das Tempo und die Route austauschen. Auf diese Weise gewöhnen sich beide an die Benutzung des Rollz Motion Elektrorollstuhls. Gehen Sie anfangs langsam, damit Sie lernen, wie Sie den Rollz Motion Electric mit Vertrauen benutzen können.

### Benutzung des elektrischen Unterstützungssystems - mit einer schiebenden Person

Während Sie im Stuhl sitzen, kann die Person, die Sie schiebt, die elektrische Unterstützung durch Drücken der On / Off Taste ein- oder ausschalten.

#### (Abbildung 57):

1. Multifunktions-Display
2. Ganganzeige
3. Batterieanzeige
4. Ein-/Ausschalttaste
5. Kraftunterstützung
6. Richtung
7. Gang
8. Ladebuchse (nicht in Gebrauch)



**Abbildung 57: Tasten und Komponenten des Steuerelements.**

Die folgenden Schritte können nur ausgeführt werden, wenn die den Rollator schiebende Person die Hände am Handgriff hat; wenn die Person die Hände vom Handgriff nimmt, wird die Schiebehilfe angehalten.

Durch Drücken des | **↔** |, kann die den Rollator schiebende Person die Vorwärtsbewegung in eine Rückwärtsbewegung umwandeln.

Durch Drücken der Taste | **M** |, kann die Person, die den Rollator schiebt, die verschiedenen Gänge durchlaufen, und zwar die folgenden:




01: Leichte Kraftunterstützung, Höchstgeschwindigkeit 3.0 km/h / 1.9 mph

02: Mittlere Kraftunterstützung, Höchstgeschwindigkeit 4.3 km/h / 2.7 mph

03: Hohe Kraftunterstützung, Höchstgeschwindigkeit 5.5 km/h / 3.4 mph

Automatische Verriegelung im Modus 01~03: Die automatische Verriegelung erfolgt 5 Sekunden nach dem Loslassen des Handgriffs, dann wird das Unterstützungssystem automatisch verriegelt, auf dem Display wird "LL" angezeigt, der Rollz Motion Electric verriegelt und kann nicht bewegt werden. Lösen Sie die Sperre, indem Sie den Handgriff wieder festhalten und eine beliebige Taste oder einen beliebigen Knopf auf dem Steuerelement drücken, "LL" verschwindet und die Sperre wird aufgehoben.

## Unterstützungsmodus

**Konstante Kraftunterstützung:** Halten Sie den Handgriff fest und drücken Sie auf die Ein/Aus-Taste. Drücken Sie mit dem Daumen auf die Taste  damit die Gehhilfe automatisch mit der eingestellten Geschwindigkeit läuft. Wenn Sie die Richtung von vorwärts nach rückwärts ändern möchten, drücken Sie die Taste . Wenn das LCD-Symbol  blinkt, befinden Sie sich im Rückwärtsmodus. Wenn Sie anfangen, rückwärts zu laufen, ertönt ein Piepton.

**Automatische Kraftunterstützung:** Halten Sie den Handgriff fest, schieben Sie den Rollstuhl Motion Electric und die automatische Kraftunterstützung schaltet sich automatisch ein. Je fester der Rollstuhl geschoben wird, desto mehr Kraft gibt die automatische Kraftunterstützung. Je höher der Gang, desto mehr Kraft. Die automatische Kraftunterstützung funktioniert, wenn der Rollstuhl vorwärts geschoben und rückwärts gezogen wird. Wenn Sie bergab fahren, kann die automatische Kraftunterstützung einen Widerstand erzeugen. Wenn es bergauf geht und die automatische Kraftunterstützung nicht ausreicht, kann die konstante Kraftunterstützung durch Drücken der Taste gestartet werden, um eine gleichmäßige Gehgeschwindigkeit zu erreichen. Wenn Sie bergab gehen, kann die automatische Kraftunterstützung einen Widerstand erzeugen.

Wenn es bergauf geht und die automatische Unterstützung nicht ausreicht, kann die konstante Unterstützung durch Drücken der Taste  gestartet werden, um eine gleichmäßige Gehgeschwindigkeit zu erreichen.

**Anti-Sturzsicherung:** Wenn die Geschwindigkeit des Rollators beim Schieben zu schnell ist, wird die automatische Notbremse gezogen. Auf dem Display erscheint "EE". Sobald Sie den Griff loslassen, wird die hintere Anti-Sturzsicherung gelockert und "EE" verschwindet.



### WARNUNG

- Fahren Sie nicht in ein Loch oder durch unebenes Gelände. Der Elektrorollstuhl könnte mit der darin sitzenden Person kippen.
- Stoßen Sie nicht hart gegen Vorsprünge oder Erhebungen. Die im Elektrorollstuhl sitzende Person könnte aus dem Rollstuhl geschleudert werden.
- Schauen Sie beim Gehen mit dem Elektrorollstuhl genau nach vorne, um einen sicheren Weg zu finden.
- Achtung: Schieben Sie den Elektrorollstuhl nicht vorwärts den Bordstein herunter oder über Unebenheiten. Dies kann gefährlich sein, weil die Person im Elektrorollstuhl rauskippen könnte. Drehen Sie den Elektrorollstuhl um und fahren Sie rückwärts vom Bürgersteig herunter.



## Einen Bordstein hinauffahren

Oft ist es einfacher, das Gefälle des Bordsteins des Bürgersteigs (falls vorhanden) zu verwenden. Für Bordsteinkanten bis bis 15 mm:

- a. Stellen Sie die Vorderräder des Rollstuhls gegen den Bordstein.
- b. Schieben Sie den Rollstuhl langsam nach vorne.
- c. Wenn die Vorderräder auf der Bordsteinkante stehen, schieben Sie den Rollstuhl weiter vorwärts, so dass die Hinterräder ebenfalls auf den Bordstein gelangen.

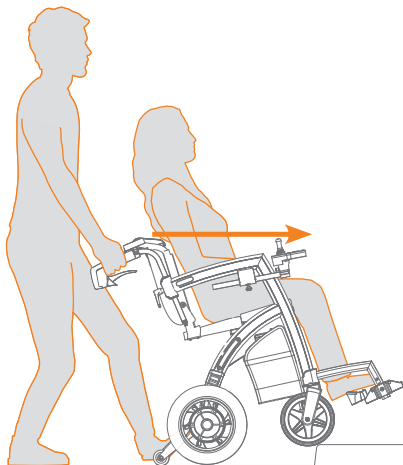
Bei Bordsteinen, die höher als 15 mm und niedriger als die maximale Bordsteinhöhe von 50 mm sind:

- a. Drehen Sie den Rollstuhl um, schalten Sie die Schiebehilfe aus und stellen Sie die Räder der Kipphilfe gegen die Bordsteinkante.
- b. Ziehen Sie den Rollstuhl langsam rückwärts, so dass die Räder der Kipphilfe an der den Bordstein hochfahren (Abbildung 58). Fahren Sie rückwärts, bis alle Räder den Bordstein erklommen haben.
- c. Drehen Sie den Rollstuhl um und aktivieren Sie die Schiebehilfe.

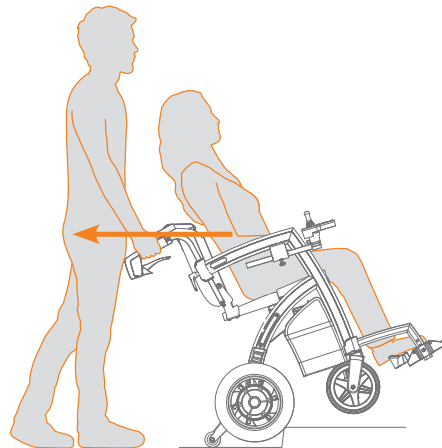
## Sicheres Verlassen des Bürgersteigs

Um eine Bordsteinkante herunterzufahren (**Abbildung 59**):

- a. Schauen Sie genau nach vorne, um den bestmöglichen Weg zu wählen.
- b. Seien Sie vorsichtig, wenn Sie sich Bordsteinen, Höhenunterschieden oder unebenem Gelände nähern.



**Abbildung 58:** Über einen Bordstein auf einen Bürgersteig gehen.



**Abbildung 59:** Rückwärts vom Bürgersteig fahren.

- c. Wenn Sie einen Bordstein hinunterfahren, dreht der Schiebende den Rollstuhl um und fährt langsam rückwärts vom Bordstein herunter.
- d. Auf diese Weise lehnt sich die sitzende Person während des Herunterfahrens an der Rückenlehne an.



### WARNUNG

Wenn der Schiebende mit dem Elektrorollstuhl plötzlich von einem Bordstein oder einer Kante herunterfährt, die höher als etwa 15 mm/0,6 inch ist, kann die Person im Elektrorollstuhl nach vorne geschleudert werden und sogar herausfallen. Dies kann auch passieren, wenn der Schiebende hart gegen eine Kante prallt. Vermeiden Sie es daher, gegen ein Hindernis zu fahren oder zu stoßen.

Vermeiden Sie Gräben, Löcher oder Schlaglöcher. Eines der Vorderräder kann abrupt in einem Loch landen, wodurch der Rollstuhl unerwartet umkippt. Die unverhältnismäßig große Kraft auf eines der Vorderräder kann auch die Aufhängung beschädigen. Seien Sie also vorsichtig und wählen Sie einen sicheren Weg.

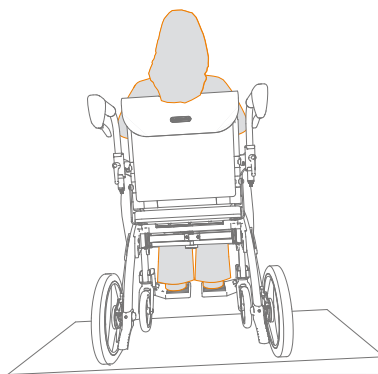
### Steigungen

Der Elektrorollstuhl ist für den Gebrauch auf einem harten, ebenen Untergrund vorgesehen. Auf Straßen mit leichtem Seitengefälle ist es schwieriger, die Spur zu halten. Die Neigung sollte 3° nicht überschreiten (**Abbildung 60**).



### VORSICHT

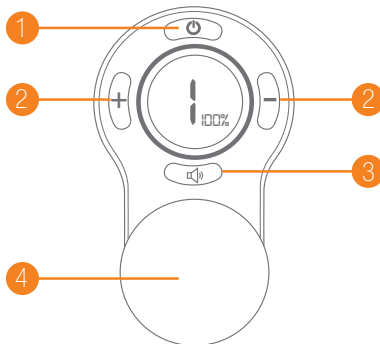
- Der seitliche Neigungswinkel darf 3° nicht überschreiten. Bei einem größeren seitlichen Neigungswinkel besteht die Gefahr, mit dem Elektrorollstuhl umzukippen.
- Wenn Sie eine Steigung hinaufgehen, kann das Schieben anstrengend sein. Wenn der Schiebende eine Pause machen will, ziehen Sie die Feststellbremse an.
- Seien Sie sehr vorsichtig, wenn Sie bergab fahren. Der Schiebende muss sanft bremsen, damit er nicht zu schnell fährt.
- Achten Sie darauf, nicht auf zu großem Gefälle zu fahren.



**Abbildung 60: Der maximale seitliche Neigungswinkel beträgt 3°.**

## VERWENDUNG DES ELEKTRISCHEN UNTERSTÜTZUNGSSYSTEMS - während Sie im Elektrorollstuhl sitzen

Wenn Sie im Stuhl sitzen und sich die Griffe in Rollatorposition befindet, die Griffe also über dem Rahmen sind, können Sie das elektrische Unterstützungssystem aktivieren (**Abbildung 61**) indem Sie auf die Ein-/Ausschalttaste an der vorderen Steuerung drücken.



(Abbildung 61):

1. Ein-/Ausschalttaste
2. Gangschaltungstasten
3. Hupe
4. Joystick

**Abbildung 61: Anzeige und Tasten der Joystick-Steuerung.**

Durch Drücken der Tasten | — | und/oder | + | können Sie die verschiedenen Gänge durchschalten. Je höher der Gang, desto höher die Geschwindigkeit (1,2 - 6 km/h / 0,75 – 3,7 mph). Rückwärts liegt die Höchstgeschwindigkeit zwischen 1,0 und 2,2 km/h / 0,6 – 1,4 mph.

Mit dem Joystick können Sie die Richtung ändern. Wenn Sie den Joystick loslassen oder ihn in die mittlere Position bringen, bremst der Rollz Motion Electric. Sie können den Joystick auch zu sich hinziehen, wodurch der Rollstuhl schneller gebremst wird, aber dadurch wird der Rollstuhl auch rückwärts bewegt.

Wenn Sie das elektrische Unterstützungssystem zum ersten Mal benutzen, während Sie im Rollstuhl sitzen, stellen Sie den Rollz Motion Electric auf die niedrigste Geschwindigkeit ein. Dies hilft Ihnen, sich mit der Steuerung vertraut zu machen. Wenn Sie sich sicher genug fühlen, können Sie die Geschwindigkeit erhöhen.

**Hupe:** Wenn Sie die Taste | 🔔 | drücken, ertönt eine Hupe. Damit können Sie andere warnen, wenn Sie sich nähern oder auf sich aufmerksam machen.



### WARNUNG

Achten Sie darauf, dass Sie bei hoher Geschwindigkeit nicht abrupt abbiegen. Beachten Sie, dass der Wendekreis 158 cm / 5,2 ft. beträgt.

## Rückwärtsfahren

Indem Sie den Joystick zu sich ziehen, fahren Sie rückwärts. Bitte fahren Sie immer vorsichtig. Vergewissern Sie sich, dass die Straße so frei von Hindernissen wie möglich ist. Fahren Sie nicht rückwärts eine Schräge hinunter.



### WARNUNG

- Fahren Sie nicht in ein Loch oder unebenes Gelände.
- Stoßen Sie nicht hart gegen Vorsprünge oder Erhebungen.
- Schauen Sie während der Fahrt mit dem Elektrorollstuhl genau voraus, um eine sichere Route zu finden.
- Hinweis: Fahren Sie nicht auf dem Bürgersteig oder auf Unebenheiten, die höher als 15 mm / 0,6 Zoll sind.

## Einen Bordstein hinauffahren

Um eine Bordsteinkante herunterzufahren (**Abbildung 58**):

- a. Stellen Sie die Vorderräder des Rollstuhls gegen den Bordstein.
- b. Bewegen Sie den Joystick nach vorne, Sie können auf Bordsteine mit einer Höhe von 15 mm / 0,6 inch. fahren.
- c. Wenn die Vorderräder auf dem Bordstein stehen, schieben Sie den Joystick weiter nach vorne, so dass auch die Hinterräder auf den Bordstein kommen.

Meist ist es einfacher, den abgesenkten Bordstein zu benutzen (falls vorhanden).

## Sicheres Verlassen des Bürgersteigs

Um eine Bordsteinkante herunterzufahren (**Abbildung 59**):

- a. Schauen Sie genau nach vorne, um einen möglichst einfachen Weg zu wählen.
- b. Seien Sie vorsichtig, wenn Sie sich Bordsteinen, Höhenunterschieden oder unebenem Gelände nähern.
- c. Wenn Sie einen Bordstein hinunterfahren, fahren Sie den Rollstuhl langsam vom Bordstein herunter. Die Bordsteinkante muss niedriger als 15 mm / 0,6 inch. sein.
- d. Meist ist es einfacher, den abgesenkten Bordstein zu benutzen (falls vorhanden).

## Steigungen

Der Elektrorollstuhl ist für den Gebrauch auf einem harten, ebenen Untergrund vorgesehen. Auf leicht seitlich abschüssigen Straßen ist es schwieriger, den Kurs zu halten. Die Neigung sollte auf keinen Fall zu stark sein, um ein Kippen zu verhindern (**Abbildung 60**).



### VORSICHT

- Der seitliche Neigungswinkel darf 3° nicht überschreiten. Bei einem größeren seitlichen Neigungswinkel besteht die Gefahr, dass der Elektrorollstuhl umkippt.
- Seien Sie sehr vorsichtig, wenn Sie eine abschüssige Straße hinunterfahren.
- Die Benutzung des Rollz Motion Electric auf Rolltreppen ist verboten.

### Umlagerung

Üben Sie das Umlagern möglichst mit Ihrem Therapeuten (Physio- oder Ergotherapeuten). Verwenden Sie beim Ein- und Aussteigen aus dem Elektrorollstuhl die Armlehnen als Aufstützpunkt und nicht den Joystick. Die folgenden Punkte müssen beachtet werden, um mögliche Schäden zu vermeiden:

- Fahren Sie den Rollz Motion Electric so nah wie möglich an den Ort, an dem das Umlagern stattfinden soll.
- Stellen Sie sicher, dass der Rollz Motion Electric ausgeschaltet ist, wenn Sie ein- oder aussteigen.
- Benutzen Sie die Fußstütze beim Ein- und Aussteigen nicht zum Aufstehen.
- Ziehen Sie die Feststellbremse an, bevor Sie ein- oder aussteigen.
- Achten Sie darauf, dass Ihre Füße nicht hinter der Fußstütze oder den Rahmenteiln eingeklemmt werden.

### Sitzposition

Um ein Umkippen während der Fahrt zu vermeiden, müssen Sie eine Reihe von Punkten beachten, die die Stabilität und das Gleichgewicht des Rollz Motion Electric beeinflussen können. Die folgenden Punkte beeinflussen die Projektion des Schwerpunkts:

- Höhe und Winkel des Sitzes.
- Die Sitzposition des Nutzers.
- Schräger Boden.
- Die Größe und das Gewicht des Benutzers.
- Es ist nicht gestattet, selbst Einstellungen am Rollz Motion Electric vorzunehmen.
- Wenn Sie die Arme ausstrecken und/oder bewegen, um Gegenstände vom Rollz Motion Electric aus zu greifen, wird der Kippunkt des Rollz Motion Electric beeinflusst.
- Stützen Sie sich nur auf die Armlehnen des Rollz Motion Electric, um Ihre Sitzposition zu verändern.

- Setzen Sie sich nur im Stillstand um.
- Stützen Sie sich nicht auf die Fußstütze, wenn Sie Ihre Position ändern.
- Heben Sie keine Gegenstände vom Boden auf, bei denen Sie über Ihre Knie greifen müssen.
- Lehnen Sie sich niemals über die Rückenlehne. Dies kann dazu führen, dass der Rollz Motion Electric umkippt.
- Heben Sie den Rollz Motion Electric nicht an, während der Passagier darin sitzt.

## SPEZIFIKATIONEN FÜR DEN ROLLZ MOTION ELECTRIC

### Produktspezifikationen (Abbildung 62) - (Abbildung 63) Informationen über das Material

**Rahmen:** geschweißtes Aluminium mit Beschichtung.

**Griffe:** Polyurethan (PU)-Schaum.

**Sitzkissenbezug und Rollstuhlpaket:** 100% Polyester.

**Innenpolster Sitz und Rollstuhlpaket:** Füllung aus PU-Schaum oder Polyurethanschaum.

**Joystick und Steuerungsknöpfe:** synthetischer Gummi.

**Vorderräder des Rollz Motion Electric:** PU-Gummireifen.

**Hinterräder des Rollz Motion Electric:** Aluminiumfelgen mit Luftbereifung. Der Reifen ist aus synthetischem Gummi, der Innenschlauch aus synthetischem Gummi mit einem sogenannten Autoventil.

**Armlehnen:** ein elastisches Fasergewebe aus Neopren und synthetischem Gummi (Styrol-Butadien-Kautschuk), gefüllt mit EVA-Schaumstoff.

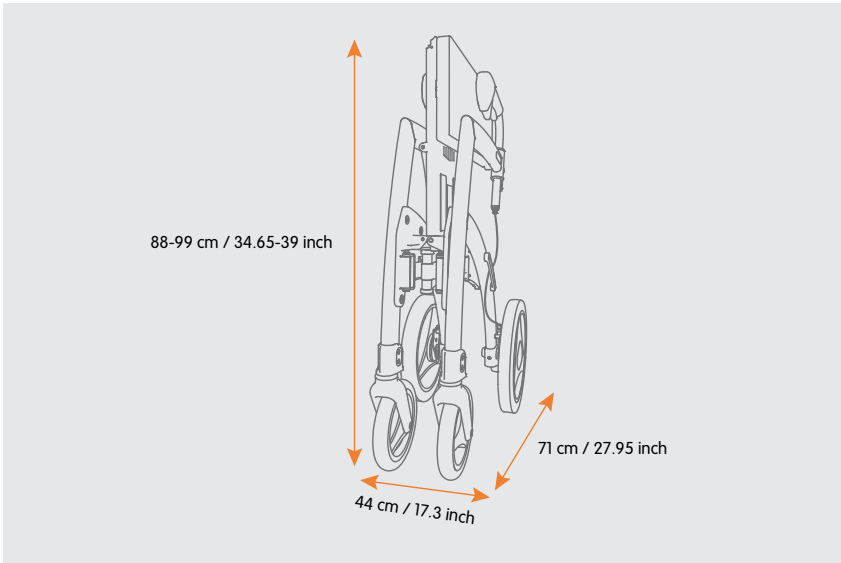
**Fußstützen:** Aluminiumrahmen mit Kunststofffußstützen.

**Akkugehäuse:** Aluminiumlegierung.

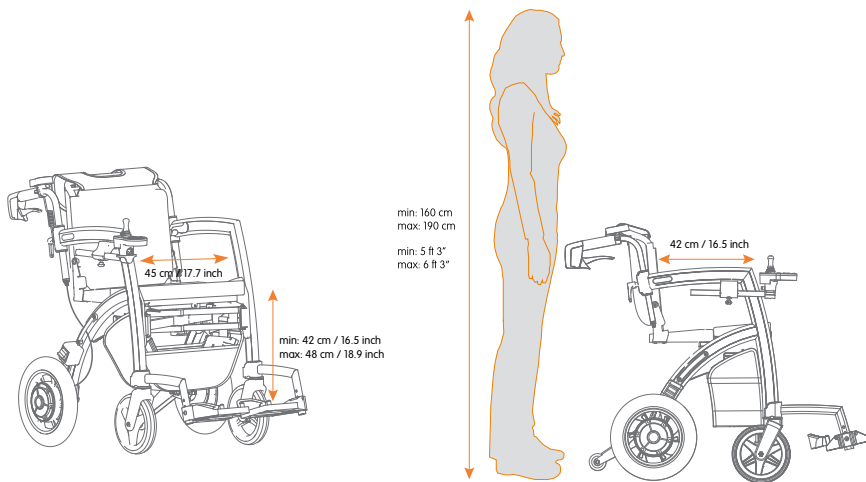
**Kippschutz:** Stahl.

PRODUKTABMESSUNGEN	
Modell	Rollz Motion Electric
Klasse	A
Gewicht Rollator	19,6 kg / 43,2 lbs (ohne Akku) oder 22,6 kg / 49,8 lbs (mit Akku)
Gewicht Rollstuhlpaket	3,4 kg / 9,5 lbs
Gewicht Elektrorollstuhl	23 kg / 50,7 lbs (ohne Akku) bzw. 26 kg / 57,3 lbs (mit Akku)
Rollator aufgeklappt mit montiertem Joystick und Steuerelement H x T x B	88-99 x 71 x 74 cm / 34.65-39 x 27.95 x 29.5 inch
Elektrorollstuhl ausgeklappt, mit Griffstangen über dem Rahmen H x T x B	91-99 x 100 x 74 cm / 35.8-39 x 39.4 x 29.5 inch
Maße Rollator gefaltet H x T x B	90 x 71 x 44 cm / 35.4 x 28 x 17.3 inch
Elektrorollstuhl aufgeklappt, H x T x B	91-96 x 110 x 74 cm / 35.8-37.8 x 43.3 x 29.5 inch
Durchmesser der Hinterräder	12,5 Zoll (Luftbereifung)
Breite der Hinterräder	2 ¼ Zoll
Durchmesser der Vorderräder	8 Zoll (Luftbereifung)
Breite der Vorderräder	1 ¼ Zoll
Wendebreite	1160 mm / 45,67 inch
Reichweite	15 km / 9,32mph
Maximale Geschwindigkeit	6 km/h / 3,73 mph
Anhalteweg	<100 cm / <39,37 inch
Geräuschpegel	<65 dB

Die Reichweite verringert sich, wenn der Rollstuhl häufig an Steigungen, auf unebenem Gelände oder zum Überwinden von Bordsteinkanten benutzt wird. Der Anhalteweg bei abschüssigen Strecken kann deutlich größer sein als auf waagerechtem Boden. Die maximale Breite von 740 mm / 9,1 inch ist größer als die in a.1.1 der EN 12184:2014 empfohlene maximale Breite von 700 mm / 27,56 inch. Der Zugang zu Fluchtwegen kann eingeschränkt sein.



**Abbildung 62:** So kompakt ist der zusammengeklappte Rollz Motion Electric.



**Abbildung 63:** Ergonomische Abmessungen des Elektrorollstuhls Rollz Motion Electric.



ERGONOMISCHE ABMESSUNG	
	Rollz Motion Electric
Maximales Gewicht des Benutzers	100 kg / 220 lbs
Minimale und maximale Größe des Benutzers und des Schiebenden	Ca 1,60 m bis 1,90 m / 5,25 ft bis 6,25 ft
Sitzfläche des Rollators H x T x B	55 x 20 x 45 cm / 21.7 x 7.9 x 17.7 inch
Sitzfläche des Elektrorollstuhls H x T x B	55 x 42 x 45 cm / 21.7 x 16.5 x 17.7 inch
Höhe der Griffe des Rollators	88-99 cm / 34.25-38.6 inch
Höhe der Griffe des Elektrorollstuhls	84-96 cm / 33.25-36.61 inch
Abstand zwischen den Griffen	44.5 cm / 17.52 inch

TECHNISCHE DETAILS	
	Rollz Motion Electric
Motor	DC24V250W2
Motorleistung	2*250 W
Akku-Typ	Li-ion
Akku-Kapazität	12,5 Ah
Akku-Nennspannung	24 V
Ladegerät und maximaler Ausgangsstrom	AC100-240 V 50-60 Hz und 2 A Ausgang
Maximaler Ausgangsstrom der Steuerung	40 A, Betriebsstrom 2-3 A

Deutsch

## FEHLERCODES UND LÖSUNGEN

Bei Auftreten eines Fehlers kann ein Fehlercode erscheinen. Dies wird durch die Anzeige "EE" auf dem LCD-Bildschirm angezeigt. Unterhalb von "EE" wird der spezifische Fehlercode angezeigt. Suchen Sie diesen Fehlercode hier, um die empfohlene Lösung zu lesen.

LISTE DER FEHLERCODES		
Fehlercode	Ursache des Fehlers	Lösung
E0002	Fehlfunktion des linken Motors	Prüfen Sie, ob das linke Motorkabel und der Stecker beschädigt sind. Falls dies der Fall ist, wenden Sie sich an den Händler, um die defekten Teile auszutauschen. Wenn die Steckdose oder das Kabel nicht beschädigt ist, prüfen Sie, ob das linke Motorkabel richtig eingesteckt ist. Wenn es richtig eingesteckt ist, wenden Sie sich an den Händler, um diesen Fehlercode weiter zu untersuchen.
E0004	Fehlfunktion des rechten Motors	Prüfen Sie, ob das rechte Motorkabel und der Stecker beschädigt sind. Falls dies der Fall ist, wenden Sie sich an den Händler, um die defekten Teile auszutauschen. Wenn die Steckdose oder das Kabel nicht beschädigt ist, prüfen Sie, ob das rechte Motorkabel richtig eingesteckt ist. Wenn es richtig eingesteckt ist, wenden Sie sich an den Händler, um diesen Fehlercode weiter zu untersuchen.
E0008	Fehler bei der Erkennung des linken Motorstroms	Kontaktieren Sie den Hersteller, um die defekten Teile zu ersetzen.
E0010	Fehler bei der Erkennung des rechten Motorstroms	Kontaktieren Sie den Hersteller, um die defekten Teile zu ersetzen.
E0020	Erkennung der Akkuspannung ist falsch	Kontaktieren Sie den Hersteller, um die defekten Teile zu ersetzen.
E0040	15V-Spannungsstörung	Kontaktieren Sie den Hersteller, um die defekten Teile zu ersetzen.
E0800	Kommunikationsfehler der vorderen Steuerung	Kontaktieren Sie den Hersteller, um die defekten Teile zu ersetzen.
E-021	Kommunikationsfehler der hinteren Steuerung	Kontaktieren Sie den Hersteller, um die defekten Teile zu ersetzen.
E-023	Lagesensor anormal	Wenden Sie sich an den Hersteller, um die intelligente Hecksteuerung auszutauschen.
E-024	Kalibrierung der Fahrzeuglage	Vergewissern Sie sich, dass sich der Lenker in der Schiebeposition befindet. Halten Sie die Ein/Aus-Taste gedrückt, bis Sie eine Sprachansage hören. Lassen Sie die Taste los und halten Sie den Rollz Motion Electric still, bis die 00001 auf dem Bildschirm verschwindet.
E-025	Der Sensor für die Griffkennung ist defekt	Kontaktieren Sie den Hersteller, um die defekten Teile zu ersetzen.
E-026	Der Sensor für die Griffkennung ist defekt	Kontaktieren Sie den Hersteller, um die defekten Teile zu ersetzen.
E-027	Das Touchscreen ist defekt	Kontaktieren Sie den Hersteller, um die defekten Teile zu ersetzen.

## ZUBEHÖR

Die Funktionalität des Rollz Motion Electric kann durch Zubehör wie Transporttasche, Regenschirm, Gurt, Becherhalter und flexibler Rückengurt erweitert werden. Verwenden Sie nur Originalzubehör oder von Rollz International BV genehmigtes Zubehör. Es wird regelmäßig neues Zubehör herausgebracht. Besuchen Sie [www.rollz.de](http://www.rollz.de) oder fragen Sie Ihren Händler nach neuem Zubehör.

## WARTUNG

Regelmäßige Wartung verlängert die Lebensdauer und erhöht die Sicherheit Ihres Rollz Motion Electric. Lassen Sie verschlissene, beschädigte oder defekte Teile nur von autorisierten Rollz-Händlern austauschen oder reparieren.

### Reinigen/Desinfizieren

Reinigen Sie Ihren Rollz Motion Electric regelmäßig, um ihn in optimalem Zustand zu halten.

- a. Reinigen Sie den Rahmen und die Griffe mit lauwarmem Wasser und einem Tuch. Trocknen Sie Ihren Rollz Motion Electric nach der Reinigung gründlich ab. Für hartnäckigere Flecken können Sie ein mildes Reinigungsmittel verwenden.
- b. Vermeiden Sie übermäßigen Wasserkontakt an beweglichen Teilen, wie z. B. Achsen und Gelenkpunkten.
- c. Die Griffe des Rollators, der Griff des Rollstuhlpakets und die Armlehnen dürfen nicht mit einem alkoholhaltigen Desinfektionsmittel desinfiziert werden. Dies würde das Material beschädigen. Reinigen Sie diese Teile mit warmer Seifenlauge. Achten Sie darauf, alles zu trocknen, um Korrosion zu vermeiden.
- d. Die Räder können mit lauwarmem Wasser und einer Bürste mit Kunststoffborsten gereinigt werden. Verwenden Sie keine Drahtbürste, da diese Ihren Rollz Motion Electric beschädigen kann.
- e. Bevor der Rollz Motion Electric an einen neuen Benutzer weitergegeben wird, muss er desinfiziert werden.
- f. Spülen Sie die elektrischen Teile nicht mit Wasser ab. HINWEIS: Wenn der Akku mit Wasser in Berührung gekommen ist, schalten Sie das Produkt vollständig aus, bevor Sie den Akku herausnehmen, und verwenden Sie den Rollz Motion Electric nicht, bevor Sie den Akku getrocknet haben. Nachdem der Rollz Motion Electric vollständig getrocknet ist, können Sie den Akku wieder einsetzen.

### HINWEIS

Verwenden Sie kein Desinfektionsmittel auf Alkoholbasis.

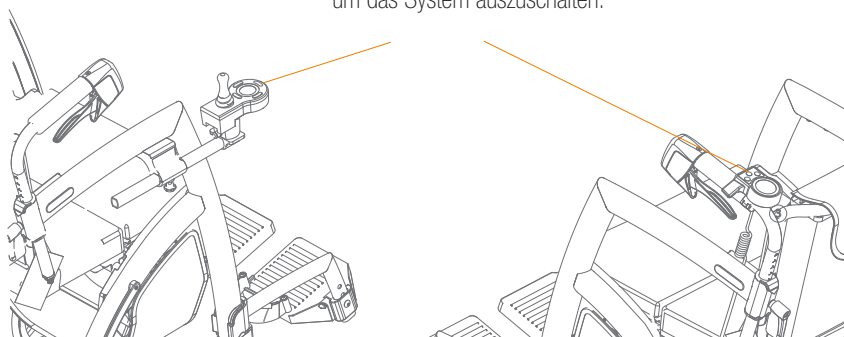
## Abklemmen des Akkus

Schalten Sie das System aus, ziehen Sie die Feststellbremse an, lassen Sie keine Person im Rollstuhl sitzen und stellen Sie den Rollz Motion Electric auf eine ebene Fläche, bevor Sie die Batterie entfernen.

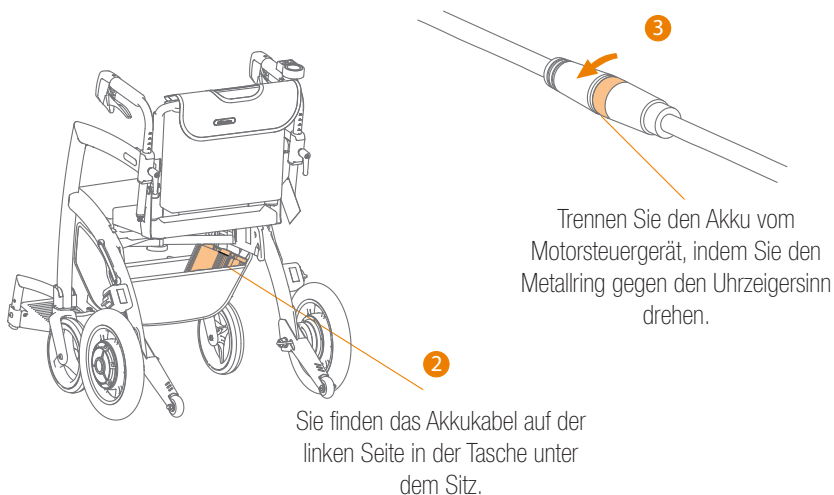
Suchen Sie das Akkukabel und klemmen Sie es ab, indem Sie den Metallring am Stecker gegen den Uhrzeigersinn drehen. Sie finden das Akkukabel in dem Korb unter dem Sitz. Nachdem Sie das Kabel abgeklemmt haben, können Sie die Klettverschlussbänder lösen und den Akku herausnehmen.

1

⏻ Drücken Sie die An-/Ausstattaste an der vorderen oder hinteren Steuereinheit, um das System auszuschalten.



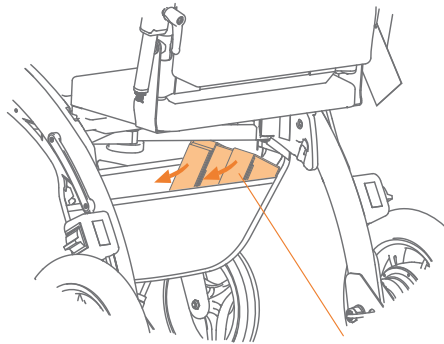
**Abbildung 64:** Schalten Sie das System aus, bevor Sie den Akku entfernen.



Trennen Sie den Akku vom Motorsteuergerät, indem Sie den Metallring gegen den Uhrzeigersinn drehen.

Sie finden das Akkukabel auf der linken Seite in der Tasche unter dem Sitz.

**Abbildung 65:** Suchen und Abklemmen des Akkus.



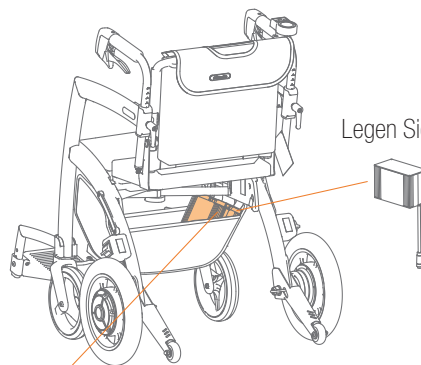
Lösen Sie die Klettverschlussbänder.

4

**Abbildung 66: Auspacken des Akkus**

### Wiederschließen des Akkus

Legen Sie den Akku so in die Tasche, dass das Kabel nach unten zeigt. Wickeln Sie die Klettverschlussbänder herum und ziehen Sie sie fest an. Suchen Sie das Akkukabel und schließen Sie es an den Akku an, indem Sie den Metallring am Stecker im Uhrzeigersinn drehen. Sie finden das Akkukabel im Korb unter dem Sitz. Nachdem Sie die Kabelverbindung überprüft haben, können Sie das System wieder einschalten und die Funktionstüchtigkeit des Systems testen.



1

Legen Sie die Batterie unter den Sitz.

2

Bringen Sie die Klettbänder wieder an und verbinden Sie sie erneut mit dem Motorsteuergerät.

3

Drücken Sie die An-/Ausschalttaste, um das System wieder einzuschalten.

4

Alle Funktionen prüfen.

**Abbildung 67: Wiederschließen des Akkus**

## Aufbewahrung des Rollz Motion Electric

Lagern Sie Ihren Rollz Motion Electric immer in einer sauberen, trockenen und staubfreien Umgebung. Lagern Sie Ihren Rollz Motion Electric nicht in einer Umgebung, in der er direkt mit Wasser in Berührung kommen kann, in der es extrem hohe oder niedrige Temperaturen gibt oder in der die Luftfeuchtigkeit sehr hoch ist.

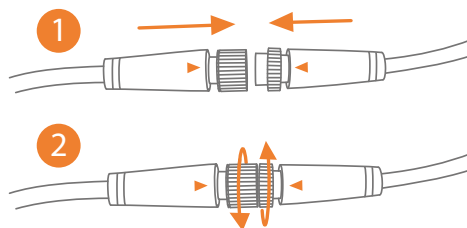
## Akkuwartung (täglich)

Prüfen Sie die verbleibende Akkuleistung. Wenn der Akku das Ende seiner Lebensdauer erreicht hat und ersetzt werden muss, wenden Sie sich bitte an den Händler oder einen autorisierten Rollz-Händler. Die Lebensdauer und Leistung des Akkus hängen von der Temperatur, dem Zustand des Akkus und dem Gewicht des Benutzers ab. Der Akku hat eine bestimmte Lebensdauer. Mit zunehmendem Alter des Akkus kann es zu einem Kapazitätsverlust kommen (wenn die Reichweite deutlich abnimmt oder das Aufladen des Produkts deutlich länger dauert). In diesem Fall empfehlen wir, den Akku zu ersetzen, indem Sie sich an den Händler wenden.

Vergewissern Sie sich vor der Benutzung, dass der Akku vollständig geladen ist. Die normale Ladezeit des Akkus beträgt etwa 5 Stunden. Wenn der Akku vollständig entladen ist, kann die Ladezeit bis zu 6 Stunden betragen. Wenn Sie den Akku über einen längeren Zeitraum nicht benutzen, sollten Sie ihn mindestens alle 2 Monate aufladen. Wird der Akku über einen längeren Zeitraum nicht aufgeladen, kann dies zu innerer Beschädigung führen.

## Kabel und Anschlüsse (wöchentlich)

Überprüfen Sie, dass die elektrischen Teile und Anschlussleitungen ordnungsgemäß angeschlossen sind und auf eventuelle Schäden. Selbst kleinste Schäden können zu gefährlichen Situationen führen (z. B. Kurzschluss) und müssen sofort behoben werden. Wenden Sie sich in einem solchen Fall an den Händler oder lassen Sie es von einem autorisierten Rollz-Händler reparieren. Reparieren Sie es nicht selbst. Prüfen Sie, ob die Anschlüsse wie in **Abbildung 68** dargestellt hergestellt wurden. Entfernen oder trennen Sie keine Komponenten, während das elektrische Unterstützungssystem eingeschaltet ist.



**Abbildung 68:** Vergewissern Sie sich, dass die Stecker richtig ausgerichtet und gegebenenfalls festgeschraubt sind.

### **Motoren (monatlich)**

Untersuchen Sie die Motoren in den Hinterrädern auf sichtbare Risse oder Verformungen, prüfen Sie, ob sie sich frei drehen können, und achten Sie auf erhöhte Geräuschentwicklung während des Betriebs. Vergewissern Sie sich, dass die Muttern und andere Befestigungselemente, mit denen die Motoren am Rahmen befestigt sind, ordnungsgemäß angezogen sind und keinen Spielraum haben. Verwenden Sie den Rollz Motion Electric nicht, wenn eines dieser Probleme festgestellt wurde. Wenden Sie sich an den Händler oder einen autorisierten Rollz-Händler.

### **Steuerelement und Joystick-Steuerung (alle 3 Monate)**

Reinigen Sie die Steuerung und den Joystick vorsichtig mit einem Tuch, das mit einem neutralen, verdünnten Reinigungsmittel angefeuchtet ist. Verwenden Sie zur Reinigung niemals Scheuermittel oder alkoholhaltige Reinigungsmittel. Schützen Sie die Steuerung vor Beschädigungen während des Transports des Rollstuhls. Verhindern Sie stets das Eindringen von Flüssigkeiten in die Öffnungen der Steuergeräte.

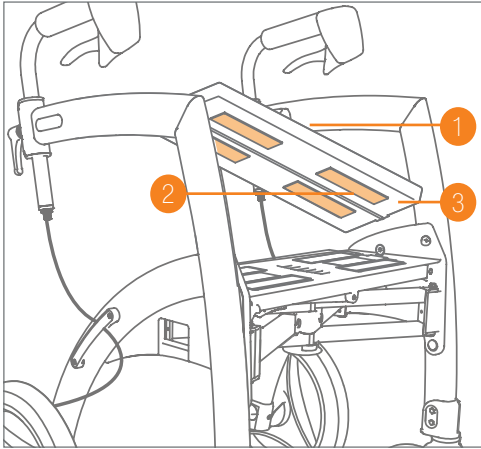
### **Waschen des Sitzbezugs**

Der Bezug des Sitzkissens ist waschbar. Entfernen Sie vor dem Waschen immer das Innenpolster.

- a. Ziehen Sie das festgeklebte Sitzkissen vom Sitz ab (**Abbildung 69**).
- b. Öffnen Sie den Reißverschluss, ziehen Sie den Bezug ab und nehmen Sie das Innenpolster heraus.
- c. Der Bezug kann nun in der Waschmaschine bei einer Höchsttemperatur von 30 °C / 86 °F gewaschen werden.
- d. Trocknen Sie den Bezug einfach an der Luft, nicht im Trockner.
- e. Legen Sie das Innenpolster wieder in den Bezug und schließen Sie den Reißverschluss.
- f. Legen Sie das Kissen wieder auf den Sitz.

### **HINWEIS**

Der Bezug darf nicht gebleicht oder chemisch gereinigt und nicht gebügelt werden.



**Abbildung 69: Abnehmen des Sitzpolsters vom Rollator.**

### **Was ist wo?**

1. Sitzkissen
2. Klettverschluss
3. Reißverschluss

### **Bremsleistung (täglich)**

Überprüfen Sie die Bremsleistung. Wenn die Bremsen betätigt werden, sollten die Räder des Rollz Motion Electric zum Stillstand kommen. Wenn die Räder bei Betätigung der Bremse nicht zum Stillstand kommen: Schalten Sie das System sofort ab, überprüfen Sie es auf Schäden und versuchen Sie, die Bremsen entsprechend der nachstehenden Erklärung einzustellen. Wenden Sie sich an den Händler, wenn die Bremsen beschädigt sind oder wenn die Bremsleistung es nicht zulässt, dass der Rollz Motion Electric nach der Einstellung anhält. Reparieren Sie die Bremsen nicht selbst.

### **Einstellen der Bremsen**

Durch den Gebrauch des Rollz Motion Electric können die Bremsen verschleifen. Infolgedessen kann es erforderlich sein, die Bremsen nachzustellen. Wenn die Bremsen richtig eingestellt sind, beugen Sie Problemen vor und können die Bremsen optimal nutzen. Überprüfen Sie die Bremsen regelmäßig, am besten vor jedem Gebrauch. Wenn der Rollz Motion Electric auf Feststellbremse steht, sollten sich die Räder nicht drehen. Wenn die Handbremsen gelöst sind, darf der Rollz Motion Electric nicht abbremsen.

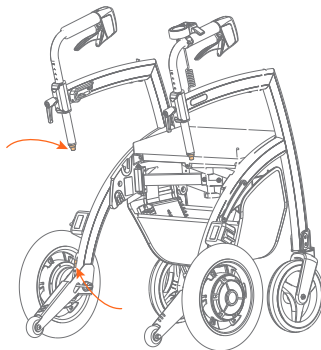


Wenn die Bremsen nicht richtig funktionieren, können sie auf zwei Arten eingestellt werden: am oberen und unteren Ende des Bremskabels (**Abbildung 70**). Die Einstellung am oberen Ende des Bremskabels (direkt unter dem Höheneinstellungsgriff) dient der Feinabstimmung, so dass die Leistung der Bremse ein wenig fester eingestellt werden kann. Die Einstellung am unteren Ende des Bremsseils (in der Nähe der Hinterräder) ist für eine stärkere Einstellung gedacht. Stellen Sie sicher, dass sowohl die linke als auch die rechte Bremse richtig eingestellt sind.

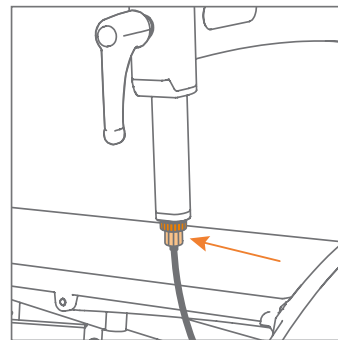
### Bremseinstellung am oberen Ende des Bremsseils

Sie können die Bremsen mit Hilfe der Bremseneinstellung am oberen Ende des Bremszugs festziehen.

- a. Der Rollz Motion Electric darf beim Einstellen der Bremsen nicht die Feststellbremsen angezogen haben.
- b. Lösen Sie zunächst den Sicherungsring (ziehen Sie das Kabel nach unten, um es leichter zu machen). So können Sie die darunter liegende Einstellschraube anziehen oder lösen (**Abbildung 71**).
- c. Ziehen Sie den Feststellring wieder an und prüfen Sie, ob die Bremse die gewünschte Bremskraft hat.
- d. Machen Sie das Gleiche auf der anderen Seite und prüfen Sie, ob beide Bremsen den gleichen Widerstand bieten.



**Abbildung 70:** Einstellung der Bremse über die Einstellschrauben oben und unten am Bremszug.



**Abbildung 71:** Einstellung der Bremse über die Einstellschraube direkt unter dem Sicherungsring.

## Bremseinstellung am unteren Ende des Bremsseils

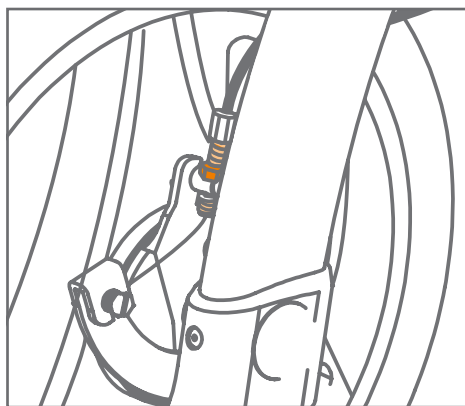
Wenn Sie die Bremsen stärker anziehen müssen, als es die obere Einstellung zulässt, können Sie dies an der untere Bremseneinstellung verändern.

- a. Der Rollz Motion Electric sollte beim Einstellen der Bremsen nicht die Feststellbremsen angezogen haben.
- b. Bleiben Sie beim Einstellen der Bremsen auf der Rückseite des Rollz Motion Electric. Lösen Sie den Sicherungsring am unteren Ende des Bremsseils (ziehen Sie das Seil nach oben, um es leichter zu machen). Drehen Sie die darüberliegende Einstellschraube, um das Bremsseil zu verkürzen oder zu verlängern (**Abbildung 72**). Drehen Sie im Uhrzeigersinn, um die Bremskraft zu erhöhen, und gegen den Uhrzeigersinn, um die Bremskraft zu verringern.
- c. Wenn die Bremse die gewünschte Kraft hat, ziehen Sie den Sicherungsring fest.
- d. Machen Sie dasselbe auf der anderen Seite.
- e. Kontrollieren Sie, ob die Bremskraft auf der linken und rechten Seite gleichmäßig verteilt ist.



### VORSICHT

Wenn die Bremsen nach dem Einstellen nicht richtig funktionieren, wenden Sie sich sofort an Ihren Händler und verwenden Sie den Rollz Motion Electric nicht.

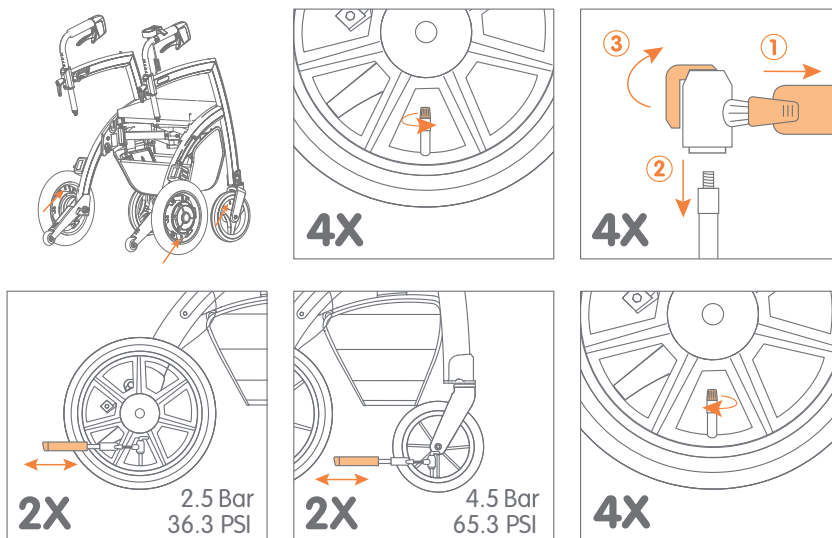


**Abbildung 72: Einstellung der Bremse über den Sicherungsring (dunkelorange) und die Einstellschraube.**

### Aufpumpen der Luftreifen (ungefähr jeden Monat)

Der Rollz Motion Electric hat luftbereifte Hinterräder. Diese Luftreifen müssen für eine optimale Nutzung regelmäßig mit zusätzlicher Luft versorgt werden (**Abbildung 73**). Die Schläuche sind mit Schrader-Ventilen ausgestattet, die auch als Autoventile bekannt sind. Haben Sie die mitgelieferte Pumpe immer unterwegs dabei, um sie bei Bedarf einsetzen zu können. Sie passt in die Tasche des Rollstuhlpakets.

Etwa zwei Pumpstöße pro Schlauch reichen normalerweise aus, um den empfohlenen Druck zu erreichen. Beide Hinterrreifen müssen einen maximalen Druck von 2,5 bar ( $\approx$  2,5 Atmosphären oder 36,3 PSI oder 250 kPa) haben. Die Vorderreifen müssen einen maximalen Druck von 4,5 bar ( $\approx$  4,5 Atmosphären oder 65,3 PSI oder 450 kPa) haben.



**Abbildung 73: Aufpumpen der Luftreifen.**



#### VORSICHT

Pumpen Sie die Reifen nicht über den empfohlenen Druck auf, da sie unter dem hohen Druck explodieren könnten.

#### HINWEIS

Prüfen Sie regelmäßig, ob die Reifen noch genügend Luft haben. Wenn das Schieben des Rollz Motion Electric schwieriger wird, hat der Reifen zu wenig Luft.

## **Platte Reifen**

Schalten Sie das System sofort aus und benutzen Sie den Rollz Motion Electric nicht mehr, wenn ein Reifen platt, durchstochen oder kaputt ist. Wenden Sie sich an den Händler oder einen autorisierten Rollz-Händler, um den Reifen zu ersetzen.

## **Austausch von Teilen**

Verschleißteile wie der Schaumstoff der Griffe, die Reifen, die Räder, die Bremskabel und das Sitzkissen unterliegen einem gewissen Verschleiß. Wenden Sie sich bitte an Ihren Händler, um die Teile bei Bedarf auszutauschen.

### *HINWEIS*

Verwenden Sie nur Originalteile oder von Rollz International BV zugelassene Teile.

## **GARANTIE**

Ist mit Ihrem Rollz Motion Electric innerhalb von zwei Jahren nach dem Kauf etwas nicht in Ordnung? Dann wenden Sie sich sofort an Ihren Händler. Er wird in Absprache mit Rollz International so schnell wie möglich nach einer Lösung suchen. Wir wenden die nachstehenden Garantiebestimmungen an.

Reparaturen sind auch nach Ablauf der Garantiezeit gegen Erstattung der entstandenen Kosten möglich. Bitte wenden Sie sich dazu direkt an Ihren Händler.

### **Garantiebestimmungen**

Rollz® International BV mit Sitz in Delft in den Niederlanden (im Folgenden "Rollz") garantiert in seiner Eigenschaft als Hersteller, dass die Rollz Motion Electric (im Folgenden: "Produkt") gemäß den folgenden Bestimmungen hergestellt werden:

1. Die allgemeine Garantiezeit für den Erstbesitzer (im Folgenden: "Kunde") beträgt 24 Monate ab Kaufdatum.
2. Rollz gewährt eine fünfjährige Garantie ab dem Kaufdatum auf Material- und Konstruktionsfehler des Rahmens bei normalem Gebrauch und Wartung.
3. Für den Akku gilt eine Garantie von 18 Monaten.
4. Für das elektrische Unterstützungssystem, mit Ausnahme der Batterie, gilt eine Garantiezeit von 24 Monate.
5. Die Garantie gibt das Recht auf Reparatur, ausdrücklich nicht auf Umtausch oder Rücknahme eines Produktes.

6. Im Falle einer Reparatur kümmert sich der Kunde um den Transport des Produkts zu und von dem Geschäft, in dem es gekauft wurde (der "Händler"). Der Händler wird die Reparatur in Absprache mit Rollz durchführen.
7. Die Garantie kann nur in Anspruch genommen werden, wenn der Kunde dem Händler eine Kopie des Kaufbelegs mit Kaufdatum und eine klare Beschreibung der Beanstandungen zusammen mit dem defekten Produkt vorlegt.
8. Falls erforderlich, übernimmt Rollz den Transport des Produkts vom Händler zu Rollz und umgekehrt auf eigene Kosten und Gefahr, jedoch nur, wenn die Reparatur unter die Garantie fällt.
9. Die Garantiezeit wird in keinem Fall verlängert, auch nicht im Falle von Reparaturen.
10. Die Garantie ist nicht übertragbar und kann daher nur vom Erstbesitzer in Anspruch genommen werden.
11. Die Garantie berührt nicht die Rechte, die dem Kunden nach dem Gesetz zustehen.

Die Garantie gilt nicht in den folgenden Fällen:

- a. wenn der Kunde ohne vorherige schriftliche Genehmigung von Rollz oder dem Händler Änderungen oder Reparaturen vorgenommen oder angeordnet hat;
- b. wenn Defekte verursacht wurden durch Nachlässigkeit oder einen Unfall und / oder durch Nutzung oder Wartung, die nicht in der Bedienungsanleitung angegeben sind;
- c. wenn die Seriennummer beschädigt oder entfernt wurde;
- d. wenn der Schaden am Produkt auf normalen Verschleiß zurückzuführen ist.

### **Registrieren Sie Ihr Rollz Motion Electric**

Bitte registrieren Sie Ihr Produkt bei Rollz International, indem Sie das Online-Formular auf [www.rollz.de](http://www.rollz.de) ausfüllen. Achten Sie darauf, dass Sie die Seriennummer des Rollz Motion Electric eingeben. Diese Nummer finden Sie auf dem Aufkleber auf dem Sitz (unter dem Kissen). Bei der Registrierung können Sie sich auch für einen E-Mail-Newsletter anmelden, um über Produktneuheiten von Rollz informiert zu werden.

## KONTAKT

Rollz International ist immer bestrebt, seine Produkte weiter zu verbessern. Deshalb sind wir an Ihrer Meinung interessiert. Dabei kann es sich um die Verwendung des Produkts, die Bedienungsanleitungen oder andere Aspekte handeln.

Bitte senden Sie Ihre Tipps oder Erfahrungen an: [info@rollz.com](mailto:info@rollz.com)  
Oder kontaktieren Sie uns, wenn Sie andere Fragen oder Kommentare haben:

### **Rollz® International BV**

Rotterdamseweg 402M  
2629HH Delft  
Niederlande

+31 (0)20 362 20 10  
[info@rollz.com](mailto:info@rollz.com)  
[www.rollz.de](http://www.rollz.de)

# MANUEL D'UTILISATION

Déambulateur et chaise roulante électrique en un

rollz motion electric

FR

Français

## Rollz® International BV – Rollz Motion Electric

© Copyright 2023 Rollz® International BV

Ceci est une traduction du guide d'utilisation original anglais du Rollz Motion Electric. Ce manuel d'utilisation est basé sur les informations disponibles au moment où il a été créé. Il est possible que les informations contenues dans ce document soient modifiées. Le produit acheté peut être légèrement différent de celui décrit dans ce manuel d'utilisation.

Vous pouvez télécharger le manuel le plus récent à l'adresse [www.rollz.fr](http://www.rollz.fr). Pour vous tenir au courant des informations les plus récentes, nous révisons régulièrement [www.rollz.fr](http://www.rollz.fr). Rollz® International BV ne peut être tenu responsable des erreurs techniques ou des imperfections de ce manuel.

### Conformité CE

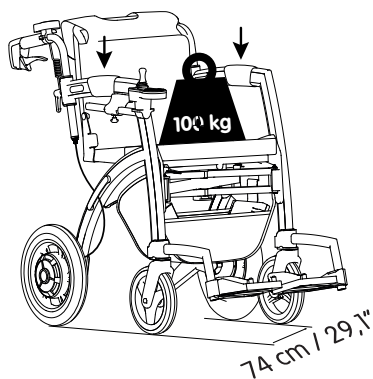
Le produit répond aux exigences de la directive européenne 93/42 CEE relative aux dispositifs médicaux. Sur la base des règles de classification définies dans l'annexe IX de cette directive, le produit est classé dans la classe I. La déclaration de conformité a été faite sous la propre responsabilité de Rollz® International BV sur la base de l'annexe VII de cette directive.

### Normes internationales

Le Rollz Motion Electric est certifié comme un déambulateur selon la norme ISO 11199-2 : 2005. Le Rollz Motion Electric est également certifié en tant que fauteuil roulant conformément à la norme ISO 7176 — 8 : 2014 (Cor. 2015-09). Le Rollz Motion Electric est certifié en tant que fauteuil roulant électrique de classe A conformément à la norme ISO 12184:2014.

**rollz motion  
electric**

Max 100 kg / 220 lb



**Figure 1: Largeur et charge maximale du Rollz Motion Electric.**



## SOMMAIRE

<b>Avant de commencer</b>	<b>182</b>
Informations importantes	182
Consignes de sécurité	183
Avertissements	184
Des circonstances inadéquates	185
Interférences électromagnétiques	186
Qui peut bénéficier de ce produit	187
Qui ne doit pas utiliser le Rollz Motion Electric (contre-indication)	187
Réutilisation	188
<b>Déballage</b>	<b>188</b>
Vérifiez si votre livraison est complète	188
Fixation du support de poussée et de la manette de jeu	189
Fixation du support de poussée	189
Fixation de la commande du joystick	189
Fixation du support 3-en-1	190
Chargement du Rollz Motion Electric	191
Avertissements	191
Recycler les matériaux d'emballage	192
<b>Utilisation comme déambulateur</b>	<b>192</b>
Qu'est-ce qui va où?	193
Dépliage et pliage	193
Transport	195
Réglage de la hauteur pour une posture correcte	196
Utiliser le Rollz Motion Electric - comme déambulateur	198
Utilisation des freins	199
Se reposer sur le Rollz Motion Electric	199
Utilisation du sac	200
Franchir des seuils et des trottoirs	200
<b>Du déambulateur au fauteuil roulant électrique</b>	<b>201</b>
Ce qui va où sur le Rollz Motion Electric	202
Fixation du kit fauteuil roulant Rollz	202
Extraction du kit fauteuil roulant Rollz	204
Réglage des repose-pieds (une seule fois)	206
Réglage du dossier (une seule fois)	208
Tirer vers le bas le kit fauteuil roulant	209
Retrait du kit fauteuil roulant	209

Consignes de sécurité	209
<b>L'utilisation d'un fauteuil roulant électrique - avec une personne poussant</b>	<b>210</b>
Adaptation à votre rythme	210
Utilisation du système de soutien électrique - avec une personne poussant	210
Modes d'assistance électrique	211
Assistance à puissance constante	211
Assistance autopuissante	211
Anti-chutes	211
Monter sur un trottoir	212
Sortir de la chaussée en toute sécurité	213
Pentes	214
<b>Utilisation du joystick - alors que l'utilisateur est assis dans le fauteuil roulant électrique</b>	<b>214</b>
Klaxon	215
Renversement de situation	215
Monter sur un trottoir	215
Sortir de la chaussée en toute sécurité	216
Pentes	216
Transferts (monter ou descendre du fauteuil roulant)	216
Position assise	217
<b>Spécifications Rollz Motion Electric</b>	<b>218</b>
Spécifications du produit	218
Informations sur le matériau	218
Mesures du produit	219
Dimensions ergonomiques	221
Détails techniques	221
<b>Codes d'erreur et solutions</b>	<b>222</b>
Codes d'erreur	222
<b>Accessoires</b>	<b>223</b>
<b>Maintenance</b>	<b>223</b>
Nettoyage/désinfection	223
Débrancher la batterie	224
Reconnecter la batterie	225
Rangement du Rollz Motion Electric	226

Entretien de la batterie (quotidien)	226
Câbles et connexions (hebdomadaire)	226
Moteurs (tous les mois)	227
Contrôleur de poussée et contrôleur de joystick (tous les 3 mois)	227
Lavage de la housse de siège	227
Performance des freins (quotidien)	228
Réglage des freins	228
Réglage du frein en haut du câble de frein	229
Réglage du frein en bas du câble de frein	230
Gonfler les pneumatiques (environ tous les mois)	231
Remplacement des pièces	232
Pneus à plat	232
<b>Garantie</b>	<b>232</b>
Provisions pour garantie	232
Registrer votre Rollz Motion Electric	233
<b>Contact</b>	<b>234</b>

## AVANT DE COMMENCER

Félicitations pour votre nouveau Rollz Motion Electric. Rollz International BV a créé ce manuel afin que vous puissiez utiliser votre déambulateur et votre fauteuil roulant électrique en un de la manière la plus sûre et la plus pratique. S'il y a des incertitudes sur les avertissements ou les instructions mentionnées dans ce manuel, veuillez contacter votre fournisseur pour une clarification.

Nous espérons que vous apprécierez l'utilisation de votre Rollz Motion Electric.

### Informations importantes

- Lisez attentivement ces instructions avant de commencer à utiliser le produit et conservez-les pour pouvoir vous y référer ultérieurement.
- Ce manuel est écrit pour le Rollz Motion Electric (introduit en 2022).
- Ne risquez pas votre sécurité et celle des personnes qui vous entourent en utilisant le produit de manière incorrecte.
- Dans ce manuel, nous parlons du système de support électrique, ce système contient le support électrique contrôlé par le joystick et le support de poussée, qui contrôlent les moteurs des roues.
- Les couleurs des pièces du Rollz Motion Electric peuvent légèrement s'estomper lorsqu'elles sont exposées à la lumière du soleil.
- N'exposez pas le produit à des températures inférieures à -5 °C / 23° F et supérieures à 45 °C / 113° F, car cela pourrait endommager certains composants, ce qui pourrait entraîner un mauvais fonctionnement.
- Le Rollz Motion Electric contient des composants électroniques. Par conséquent, évitez que le déambulateur ne soit mouillé. Ne l'utilisez pas à l'extérieur sous une forte pluie.
- Utilisez uniquement le chargeur fourni pour charger le Rollz Motion Electric.
- N'utilisez que des accessoires Rollz originaux. L'utilisation d'accessoires non approuvés peut être dangereuse et annule la garantie.
- N'utilisez que des pièces originales Rollz International BV approuvées pour les réparations ou les remplacements effectués par un revendeur agréé. L'utilisation de toute autre pièce qui n'est pas d'origine peut être dangereuse et annulera la garantie.

- Les dommages dus à une surcharge du produit ou à un pliage et un dépliage incorrect n'annulent pas seulement la garantie, mais créent également des situations dangereuses. Vous trouverez les dispositions de la garantie dans ce manuel.
- Les numéros de série et d'article de votre Rollz Motion Electric se trouvent sur l'autocollant du produit, qui se trouve sur le siège (sous le coussin).
- Tout incident grave lié à l'appareil doit être signalé au fabricant et à l'autorité compétente de votre pays.
- Il est important d'enregistrer votre produit auprès de Rollz International sur [www.rollz.fr](http://www.rollz.fr).
- Veuillez suivre les règles qui s'appliquent dans votre pays concernant l'utilisation des fauteuils roulants électriques.



### Consignes de sécurité

	Lisez et suivez les instructions de ce manuel.
	Matériaux inflammables, évitez tout contact avec des flammes nues ou des étincelles. Évitez que la batterie n'entre en contact avec des matériaux inflammables.

- Le Rollz Motion Electric est destiné à être utilisé pour soutenir/transporter une personne à la fois.
- Utilisez toujours les poignées dans la bonne position. Pour plus de détails, lisez le chapitre **Réglage de la hauteur pour une posture correcte**.
- Vérifiez ou réglez régulièrement les freins pour éviter toute perte de puissance de freinage. Vérifiez régulièrement les freins pour vous assurer que la puissance de freinage est suffisante. Voir comment procéder dans le chapitre **Réglage des freins**.
- Vérifiez que toutes les alimentations sont connectées et que les composants électriques, y compris la batterie, ne sont pas endommagés avant d'utiliser le Rollz Motion Electric pour la première fois. Des pièces endommagées ou mal connectées peuvent entraîner un danger ou des situations dangereuses. Vous trouverez des informations concernant ce contrôle dans le chapitre **Câbles et connexions (hebdomadaire)**.
- L'assistance électrique commandée par le joystick n'est pas nécessairement capable de négocier des obstacles extérieurs.

- L'assistance électrique contrôlée par poussée peut être utilisée à l'extérieur également, sur des surfaces considérées comme sûres dans ce manuel.
- Lorsque vous êtes assis dans le fauteuil roulant et que vous utilisez le Rollz Motion Electric avec un support électrique commandé par joystick, ne montez ou ne descendez que des pentes (inclinées) de max. 3° / 5.25%.
- Lorsque vous marchez avec le Rollz Motion Electric, ne descendez que sur des pentes de 15° / 26,8%, ne montez que sur des pentes de 7° / 12,3% et ne marchez que sur des pentes bancaires ne dépassant pas 3,5° / 6,1%.
- Lorsque vous êtes assis dans le Rollz Motion Electric et que vous utilisez le support électrique contrôlé par joystick, ayez toujours le guidon en position rollator, avec le guidon au-dessus du cadre, afin de pouvoir atteindre les freins à main en cas d'urgence.
- Vérifiez régulièrement la capacité de la batterie, en regardant l'écran au niveau du joystick ou du support de poussée, pour voir si elle doit être rechargée.
- Tenez les outils et autres objets métalliques à l'écart du bloc-piles. Tout contact avec les pôles positif et négatif peut provoquer un court-circuit ou un choc.
- Assurez-vous de bien connaître les fonctionnalités du Rollz Motion Electric avant de l'utiliser.
- Assurez-vous que le Rollz Motion Electric est éteint lorsqu'il n'est pas utilisé.
- Entreposez le Rollz Motion Electric dans un environnement propre et sec et évitez de le soumettre à des températures élevées et à des changements rapides de température. Lorsque vous ne l'utilisez pas pendant une période prolongée, assurez-vous que la batterie est chargée avant de l'utiliser à nouveau.
- Ce produit doit être séparé de l'acide, de l'alcali et d'autres éléments chimiques corrosifs.



## **Avertissements**

- Le Rollz Motion Electric est certifié comme fauteuil roulant de classe A, ce qui signifie que l'utilisation à l'extérieur est limitée à : une pente maximale sûre de 3° / 5.25%, une hauteur maximale d'obstacle de 15 mm / 0,6 pouce et une irrégularité maximale du sol de 10 mm / 0,4 pouce. Le dépassement de ces limites peut entraîner des situations dangereuses. Une utilisation extérieure sûre ne peut être garantie que dans les zones où ces conditions ne sont pas dépassées.

- Il est essentiel que l'utilisateur ait la capacité physique et mentale d'effectuer de manière autonome toutes les opérations décrites dans ce manuel. Si ce n'est pas le cas, il doit toujours y avoir quelqu'un à proximité qui peut l'aider.
- N'utilisez pas le Rollz Motion Electric si une pièce a été endommagée, cassée, manquante ou fissurée, ou si les écrans affichent un code d'erreur, pour la solution de ces codes d'erreur, voir le chapitre **Codes d'erreur et solutions**.
- Assurez-vous que tous les composants sont verrouillés à leur place avant de les utiliser.
- Gardez le Rollz Motion Electric à l'écart des flammes nues et d'autres sources de chaleur, comme cigarettes et les chauffages électriques ou à gaz.
- L'utilisateur ne peut pas rester assis dans le fauteuil roulant Rollz Motion Electric pendant le transport dans un taxi, un autobus, une voiture ou d'autres véhicules à moteur, car il n'a pas été conçu pour ce type d'utilisation.
- La largeur du fauteuil roulant est supérieure à la largeur recommandée pour les fauteuils roulants de classe A. L'accès aux voies d'évacuation d'urgence peut être limité.
- En utilisant le support électrique commandé par joystick ou le support à poussoir du Rollz Motion Electric, l'autonomie continue est de 15 kilomètres / 9,3 miles. L'autonomie diminue lorsque le Rollz Motion Electric est utilisé sur des pentes, des terrains accidentés, ou lorsqu'il est utilisé pour monter des trottoirs. Le poids de l'utilisateur, le terrain, le type de batterie, l'état de la batterie et le comportement de conduite peuvent également affecter l'autonomie.
- Le Rollz Motion Electric n'est certainement pas conçu pour être utilisé sur la plage.
- Nous vous conseillons d'utiliser la ceinture de sécurité lorsque vous êtes assis dans le Rollz Motion Electric.

### **Des circonstances inadéquates**

- Le Rollz Motion Electric ne peut être transporté par avion que lorsque la batterie est retirée. La batterie ne peut pas être transportée dans un avion.
- Le Rollz Motion Electric ne convient pas pour monter des escaliers et marcher sur des terrains accidentés comme le gravier, l'herbe, le sable, la boue ou le sol forestier.
- Il n'est pas permis de rester assis sans le Rollz Motion Electric sur un escalier roulant.

- Vous n'êtes pas autorisé à utiliser ou à garer votre Rollz Motion Electric sous la pluie, la neige ou d'autres conditions humides.
- N'utilisez pas votre Rollz Motion Electric sous la douche.
- N'utilisez pas votre Rollz Motion Electric sur des routes contenant du sel.
- N'utilisez pas votre Rollz Motion Electric trop près d'une source d'eau (par exemple fossé, étang, rivière, lac ou mer).
- N'utilisez pas le Rollz Motion Electric sur une surface avec de la neige, de la glace, de l'eau ou de l'huile.
- Si vous vous trouvez avec le Rollz Motion Electric sur une surface humide et glissante, veuillez manœuvrer avec précaution et si vous remarquez qu'une des roues motrices perd de la traction, vous devez arrêter le Rollz Motion Electric immédiatement pour éviter la perte de contrôle.
- N'exposez pas le Rollz Motion Electric à des températures inférieures à -5 °C / 23 °F et supérieures à 45 °C / 113 °F.
- Les températures de surface du produit peuvent augmenter/diminuer lorsqu'il est exposé à des sources externes de chaleur ou de froid.
- Les pièces du Rollz Motion Electric ne sont pas toutes 100 % étanches. Un environnement très humide peut provoquer de la rouille et de la corrosion sur ou dans votre Rollz Motion Electric. Lorsque vous êtes dans un environnement excessivement humide, vous devez immédiatement couvrir le Rollz Motion Electric pour éviter tout dommage.

### **Interférences électromagnétiques**

'interférence avec des sources électroniques peut causer des situations dans lesquelles le Rollz Motion Electric ne répond pas comme d'habitude. Les sources électriques telles que les mâts de radiodiffusion, les stations de radio, les stations de télévision et les téléphones portables peuvent créer un champ magnétique qui peut causer des dommages permanents au système électrique et/ou aux capacités de freinage.

L'utilisateur doit respecter les points suivants:

- N'utilisez pas de dispositifs de communication sans fil lorsque vous utilisez le système d'assistance électrique.
- Restez à l'écart des sources de radio.



- Éteignez immédiatement le Rollz Motion Electric si vous remarquez des mouvements incontrôlés.

Le Rollz Motion Electric peut perturber le fonctionnement des appareils de son environnement qui émettent des champs électromagnétiques (systèmes d'alarme des magasins, portes automatiques, etc.)

### **Qui peut bénéficier de ce produit**

Le Rollz Motion Electric convient aux personnes pesant jusqu'à 100 kg / 220 lbs. / 15 stone 10 lb, qui mesurent de 160 à 190 cm / 5' 3 à 6' (voir les

### **Spécifications du produit).**

Le Rollz Motion Electric sert d'aide à la marche pour les personnes à mobilité réduite, principalement à l'intérieur (commande par joystick et par poussoir) mais aussi à l'extérieur (commande par poussoir et par joystick, avec les limitations mentionnées dans ce manuel). Le Rollz Motion Electric est adapté à la marche, à la conduite et à la poussée sur des surfaces dures et plates. En position déambulateur, l'utilisateur peut se reposer sur le siège. Le kit fauteuil roulant offre la possibilité de transformer facilement le déambulateur en fauteuil roulant électrique pendant un voyage. L'utilisateur peut s'asseoir dans le fauteuil roulant électrique et utiliser le système de soutien électrique, tout en étant poussé et en ayant le support de poussée activé, ou en se transportant lui-même à l'aide de la manette.

### **Qui ne doit pas utiliser le Rollz Motion Electric (contre-indication) ?**

Le Rollz Motion Electric ne convient pas aux personnes:

- Avec des troubles de la perception qui rendent difficile de voir les obstacles devant soi;
- Avec de graves troubles de l'équilibre qui les empêchent de marcher avec un déambulateur;
- Qui sont désorientées ou ont le vertige en marchant ou en s'assoiant;
- Qui ne peuvent rester debout moins de cinq minutes derrière un déambulateur;
- Qui ont des problèmes d'assise qui font en sorte qu'il est difficile de s'asseoir confortablement sur le siège ou dans le fauteuil roulant électrique.
- Les personnes dont la fonction de la main est altérée.
- Qui pèsent plus de 100 kg / 220,46 lbs.

## Réutilisation

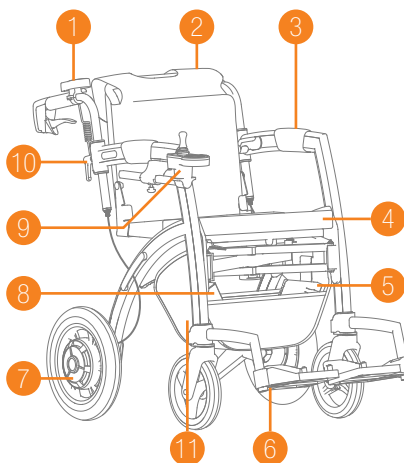
- Le Rollz Motion Electric peut être réutilisé.
- Pour une réutilisation sûre, transmettez toute la documentation technique au nouvel utilisateur. La version la plus récente du manuel se trouve sur [www.rollz.fr](http://www.rollz.fr).
- Lors du prêt de votre Rollz Motion Electric, veillez à ce que l'utilisateur lise le manuel avant d'utiliser le produit.
- Avant de transmettre le Rollz Motion Electric à un nouvel utilisateur, il doit être nettoyé, désinfecté et vérifié par le revendeur afin de s'assurer que le Rollz Motion Electric peut être utilisé en toute sécurité.

## DÉBALLAGE

### Vérifiez si votre livraison est complète

Le Rollz Motion Electric est livré emballé. Vérifiez si toutes les pièces énumérées ci-dessous ont été fournies conformément à **(Figure 2)**:

1. Contrôleur de support de poussée
2. Le kit fauteuil roulant
3. Accoudoirs (x2)
4. Coussin de siège
5. Contrôleur de moteur
6. Repose-pieds réglables (x2) avec clé Allen
7. Ensemble moteur roue arrière (x2)
8. Batterie Li-ion
9. Manette de contrôle Joystick
10. Poignées de réglage
11. Sac
12. Support 3-en-1
13. Pompe pour les pneumatiques



**Figure 2: Aperçu des composants du Rollz Motion Electric.**

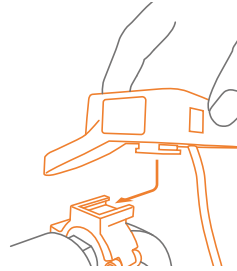
## Fixation du support de poussée et de la manette de jeu

Avant de pouvoir utiliser le Rollz Motion Electric, les deux contrôleurs doivent être fixés.

Si les manettes ne sont pas correctement fixées, le Rollz Motion Electric peut se comporter de manière inattendue et dangereuse.

### Fixation du support de poussée

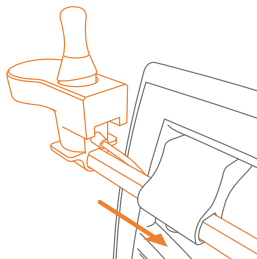
- a. Fixez le contrôleur du support de poussée (**Figure 3**).  
Un clic est audible lorsque la position correcte est atteinte.



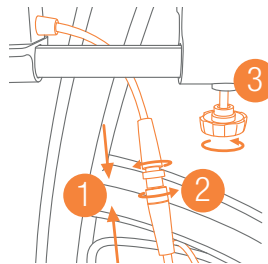
**Figure 3:** Fixez le contrôleur de support de poussée.

### Fixation de la commande du joystick

- a. Assurez-vous que le câble du contrôleur du joystick est déconnecté avant de le fixer. Débranchez-le en desserrant les anneaux métalliques. Faites glisser le contrôleur de joystick déconnecté dans le trou du support. Veillez à ce que le câble passe entre le cadre et le contrôleur comme indiqué sur la (**Figure 4**).
- b. Reconnectez le câble et serrez la manette en tournant le bouton (**Figure 5**).



**Figure 4:** Faites glisser la manette de jeu dans le support.



**Figure 5:** Connectez (1 & 2) et serrez (3) le contrôleur.

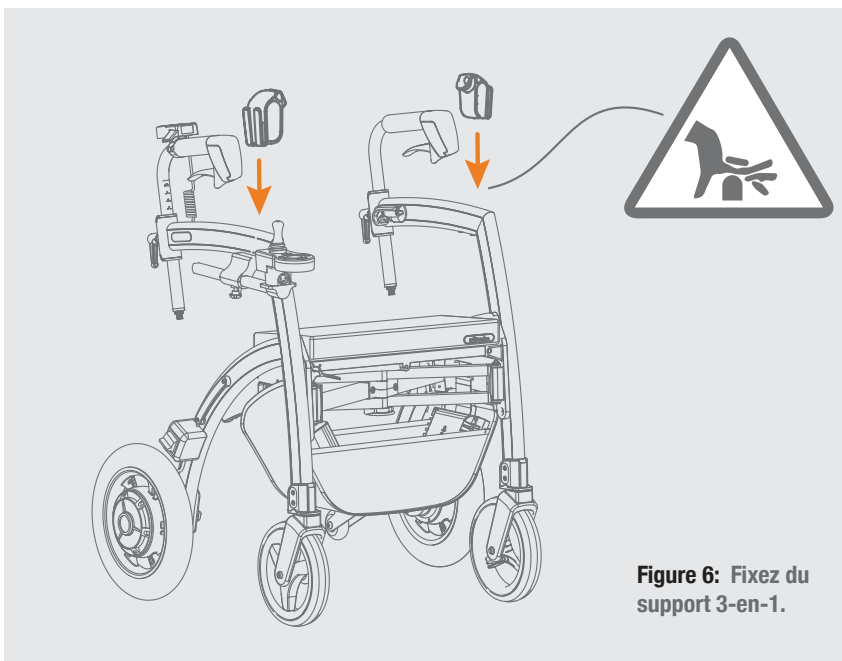
## Fixation du support 3-en-1

Le support 3-en-1 peut être mis en place sans aucun outil:

- a. Faites glisser les accoudoirs aussi loin que possible vers l'arrière, les deux supports doivent être placés devant les accoudoirs, avec les crochets d'achat vers l'extérieur, comme indiqué sur la **Figure 6**.
- b. Fixez les supports en les faisant glisser et en les appuyant sur le cadre (**Figure 6**).
- c. Le support 3-en-1 peut contenir à la fois le kit fauteuil roulant (au-dessus du siège), une canne et un sac à provisions.
- d. Suivez les instructions du manuel qui accompagne le support 3-en-1 pour savoir comment placer le kit du fauteuil roulant, la canne et les sacs dans les supports.
- e. Le Rollz Motion Electric peut également être utilisé sans le support 3-en-1.

### NOTE

Ne placez pas plus de 2,5 kg / 5,5 lb dans chaque sac et ne les surchargez pas.

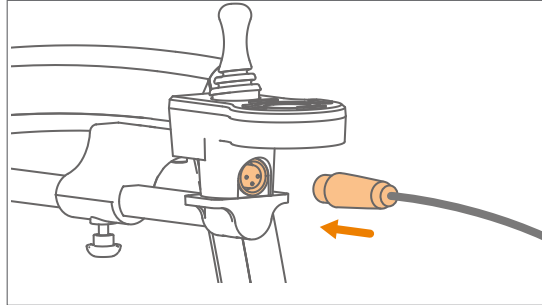


**Figure 6:** Fixez du support 3-en-1.

## Chargement du Rollz Motion Electric

La batterie est chargée par le port de chargement situé sous le contrôleur du joystick (**Figure 7**). Branchez le connecteur du chargeur dans le port de chargement.

Branchez le chargeur dans une prise murale. Le Rollz Motion Electric est en train de se charger lorsque le témoin lumineux devient rouge. Lorsque la batterie est complètement chargée, le voyant lumineux devient vert. Le chargement prend 4 à 5 heures.



**Figure 7:** Branchez le connecteur dans le port de chargement.



### Avertissements

- N'utilisez pas d'objet ou d'outils métalliques pour connecter la batterie au chargeur.
- Lorsque la batterie est en cours de charge, ne déplacez pas le Rollz Motion Electric.
- Ne pas utiliser de pièces non approuvées sur le Rollz Motion Electric (comme le moteur et le chargeur).
- Ne pincez pas et ne tordez pas le cordon du chargeur.
- Il est interdit de fumer à proximité d'une batterie en charge et de l'exposer aux flammes.
- Gardez le chargeur hors de portée des enfants et des animaux domestiques.
- Lorsqu'un défaut survient dans le circuit électronique, informez votre fournisseur le plus rapidement possible.
- Placez la batterie et le chargeur dans un espace ouvert pendant la charge. Ne posez aucun objet sur le chargeur, la batterie ou le cordon. Ne les placez pas à proximité de sources de chaleur pendant la charge.
- N'utilisez pas la batterie et le chargeur à des températures inférieures à -5 °C / 23 °F et supérieures à 40 °C / 113 °F.

- Tenez les outils et autres objets métalliques éloignés de la batterie. Le contact avec des objets métalliques peut provoquer un choc et un court-circuit.
- Conservez la batterie à l'écart des matériaux inflammables. Évitez de l'exposer aux flammes nues et aux étincelles.
- La batterie contient des substances corrosives. N'ouvrez jamais la batterie.

## Recycler les matériaux d'emballage

Tous les matériaux d'emballage peuvent être recyclés. Les boîtes en carton peuvent être recyclées avec du papier. Les blocs de mousse de protection sont en plastique. Ces blocs et les sacs en plastique peuvent être recyclés avec du plastique.

### CONSEIL

Conserver votre boîte vous aidera à envoyer votre Rollz Motion Electric par la poste.



### AVERTISSEMENT

Conservez les matériaux d'emballage en plastique hors de portée des enfants en raison du risque de suffocation.

## UTILISATION COMME DÉAMBULATEUR

Le Rollz Motion Electric est livré déjà monté et prêt à être utilisé. Il vous suffit de fixer le support de poussée et la manette de commande (voir **Fixation du support de poussée et du contrôleur de joystick**) et de régler les poignées à la bonne hauteur. Veuillez noter que vous ne devez pas utiliser le Rollz Motion Electric comme un déambulateur quand le support électrique est activé.

Lisez attentivement toutes les consignes avant d'utiliser le déambulateur Rollz Motion Electric:

- Qu'est-ce qui va où?
- Dépliage et pliage
- Transport
- Réglage de la hauteur pour une posture correcte
- Utiliser le Rollz Motion Electric comme déambulateur
- Utilisation des freins
- Se reposer sur le Rollz Motion Electric
- Utilisation du sac
- Franchir les seuils et les trottoirs

## Qu'est-ce qui va où?

### (Figure 8):

1. Poignées
2. Cadre
3. Roues arrière avec freins à tambour
4. Poignée de déclenchement rouge pour plier le déambulateur
5. Roues avant
6. Avant

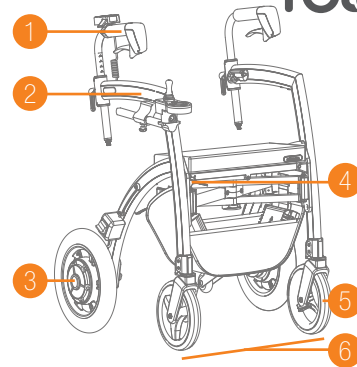


Figure 8: Qu'est-ce qui va où.

### (Figure 9):

7. Freins à main
8. Leviers du frein de stationnement
9. Indexation de la hauteur
10. Poignées de réglage
11. Vis de réglage pour le réglage des freins
12. Aide au basculement
13. Coussin de siège

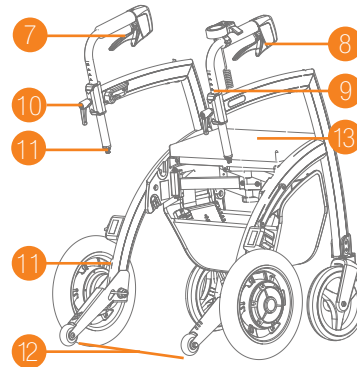


Figure 9: Qu'est-ce qui va où.

## Dépliage et pliage

Une fois plié, le Rollz Motion Electric forme un ensemble compact qui se glisse dans s'adapte à la plupart des voitures.

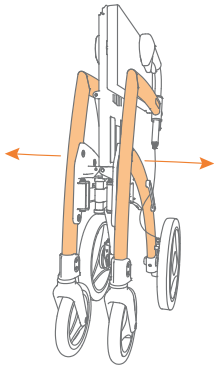
Le déroulement est le suivant:

- a. Tirez les côtés du cadre du Rollz Motion Electric jusqu'à ce qu'ils soient presque complètement dépliés (**Figure 10**).
- b. Poussez le siège vers le bas jusqu'à ce qu'il s'enclenche en place. Important: le siège n'est pas fixé tant que vous ne l'avez pas clairement entendu 'cliquer' (**Figure 11**).
- c. Retirez le coussin du siège et placez-le droit sur le siège (**Figure 12**).

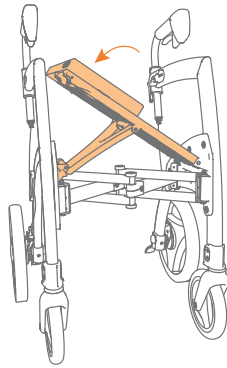


### ATTENTION

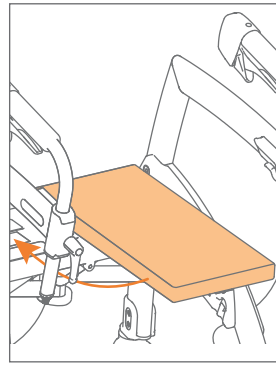
Vérifiez que le siège est bien verrouillé. Soulevez délicatement le siège au milieu pour vous assurer qu'il est bien verrouillé en place. Ce n'est qu'alors que le Rollz Motion Electric peut être utilisé en toute sécurité.



**Figure 10:** Déployez en tirant le cadre vers l'extérieur.



**Figure 11:** Poussez le siège vers le bas jusqu'à ce que vous entendiez un 'clac'.



**Figure 12:** Retirez le coussin et fixez-le sur le siège.

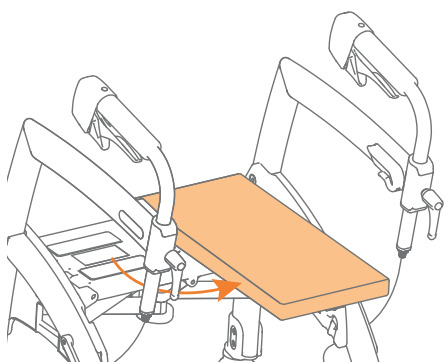
Le pliage se fait comme suit :

- a. Avant de plier le cadre, le panier sous le siège doit être vidé, les câbles et le contrôleur du moteur et le bloc batterie doivent rester dans le panier sous le siège.
- b. Retirez le kit fauteuil roulant s'il est placé sur le déambulateur. Lisez la section **Retirer le kit fauteuil roulant pour obtenir** des instructions.
- c. Tirez le coussin du siège, tournez-le à 90 degrés et placez-le en croix sur le côté de la poignée rouge (**Figure 13**).
- d. Poussez la poignée de libération rouge sous le siège (**Figure 14**) et soulevez partiellement le siège (**Figure 15**).
- e. Poussez les côtés du cadre l'un vers l'autre jusqu'à ce que le déambulateur soit complètement plié (**Figure 16**).

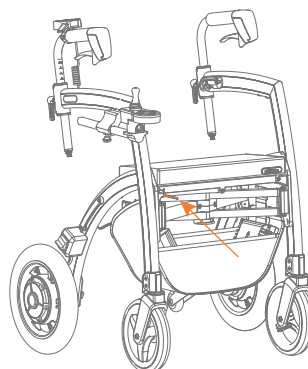
#### NOTE

Lorsque vous pliez le cadre, le panier sous le siège ne doit contenir que les câbles, le bloc batterie, et le contrôleur du moteur et le kit fauteuil roulant doivent être détachés.

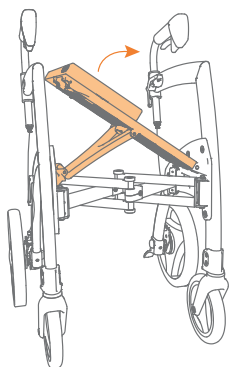




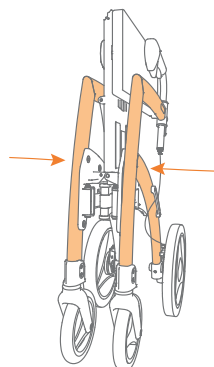
**Figure 13:** Placez le coussin du siège en croix.



**Figure 14:** Poussez la poignée rouge tout en soulevant le siège.



**Figure 15:** Soulevez partiellement le siège.

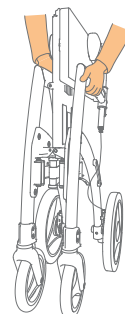


**Figure 16:** Poussez le cadre plus à l'intérieur.

## Transport

Il est obligatoire d'éteindre votre Rollz Motion Electric pendant le transport et il est fortement recommandé d'appliquer le frein à main.

Pendant le transport, assurez-vous que votre Rollz Motion Electric est placé dans un espace de rangement désigné, comme le coffre. Assurez-vous que le Rollz Motion Electric repose en toute sécurité pendant le transport et ne peut pas bouger librement. Cela permet d'éviter de vous blesser et d'endommager votre Rollz Motion Electric.



**Figure 17:** Comment soulever le Rollz Motion Electric.

Veillez également à déconnecter et à transporter séparément le joystick et le contrôleur de poussée. Ne soulevez le Rollz Motion Electric que par les parties du cadre comme indiqué sur la **Figure 17**.

### **Réglage de la hauteur pour une posture correcte**

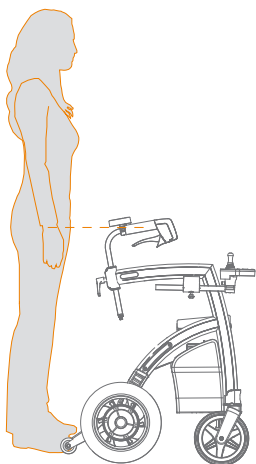
Le réglage de la hauteur correcte (**Figure 18**) est crucial pour une utilisation optimale du Rollz Motion Electric. La hauteur peut être réglée entre la position minimale et la position maximale. De cette façon, le Rollz Motion Electric peut facilement être adapté aux besoins individuels.

- a. Pour déterminer la hauteur correcte, tenez-vous entre les poignées du Rollz Motion Electric, les bras près du corps. Les poignées doivent être à la hauteur de vos poignets (**Figure 18**).
- b. Desserrez les poignées de réglage dans le sens inverse des aiguilles d'une montre (**Figure 19**) et (**Figure 20**).
- c. Faites glisser les poignées à la bonne hauteur (**Figure 21**).
- d. Vérifiez si les deux poignées sont à la même hauteur en utilisant l'indexation de la hauteur.
- e. Assurez-vous que les poignées pointent vers l'avant dans une ligne droite au-dessus du cadre du Rollz Motion Electric.
- f. Pour serrer les poignées, tournez-les dans le sens des aiguilles d'une montre (**Figure 22**) et (**Figure 23**).
- g. Placez les poignées de réglages verticalement de façon à ce qu'elles soient dirigées vers le bas. Pour ce faire, tirez doucement la poignée de réglage vers l'extérieur et tournez-la dans la bonne position (**Figure 24**).

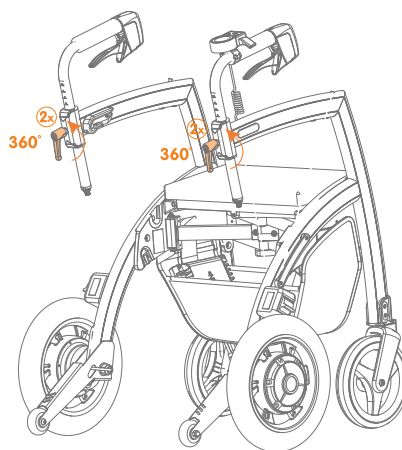


#### **ATTENTION**

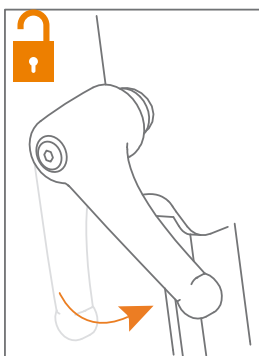
Réglez toujours les deux poignées à la même hauteur pour maintenir la stabilité. Lorsque la hauteur est mal réglée, cela peut provoquer un déséquilibre qui peut augmenter le risque de blessure. Si le déambulateur n'est pas réglé à la bonne hauteur, cela peut entraîner des douleurs au cou ou au dos.



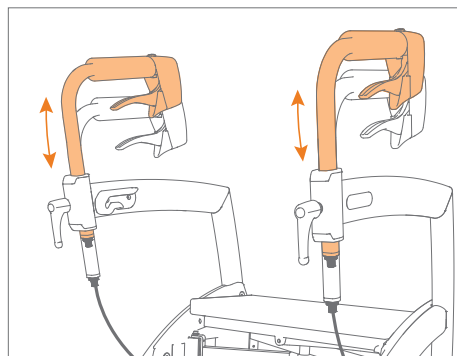
**Figure 18:** Déterminez la hauteur correcte.



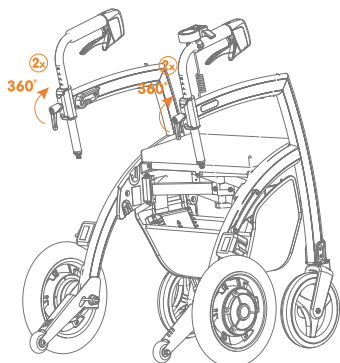
**Figure 19:** Desserrez les poignées de réglages.



**Figure 20:** Tournez dans le sens inverse des aiguilles d'une montre.



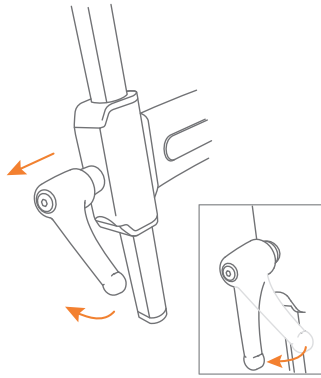
**Figure 21:** Réglez la hauteur correcte.



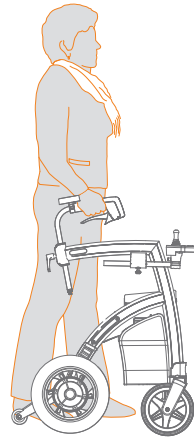
**Figure 22:** Serrez les poignées de réglages.



**Figure 23:** Serrer.



**Figure 24:** Placez les poignées de réglages dans la bonne position.



**Figure 25:** Marchez debout près du déambulateur.

### Utiliser le Rollz Motion Electric comme déambulateur

Grâce à son design ergonomique, vous pouvez marcher bien droit et vous sentir plus stable et à l'aise.

- a. D'abord, assurez-vous que les poignées sont réglées à la bonne hauteur. Voir ci-dessus la section **Réglage de la hauteur pour une posture correcte**.
- b. Tenez-vous entre les poignées pendant la marche. De cette façon, vous marchez aussi près que possible du déambulateur, qui offre le plus de soutien (**Figure 25**). Vous pouvez vous appuyer sur le Rollz Motion Electric si nécessaire.
- c. Essayez de garder vos bras et vos mains aussi détendus que possible, cela évite une trop grande tension sur les parties du corps.
- d. Surveillez sur votre environnement. Ne regardez pas vers le bas, mais vers l'avant, ce qui améliore l'équilibre.



#### ATTENTION

Lorsque vous marchez avec le déambulateur, regardez toujours devant pour bien voir le chemin devant vous.



#### AVERTISSEMENT

Évitez d'enfoncer les roues dans un trou ou sur un terrain accidenté. Le déambulateur pourrait basculer en diagonale vers l'avant et vous pourriez tomber. Le déambulateur pourrait également être endommagé.

## Utilisation des freins

Le Rollz Motion Electric a des freins à tambour avancés qui fonctionnent dans toutes les conditions météorologiques. Les freins sont faciles à utiliser et peuvent fournir une puissance de freinage variée. Plus vous serrez les freins, plus vous ralentissez. Les freins peuvent être verrouillés lorsque vous gardez le Rollz Motion Electric afin qu'il ne roule pas. Testez régulièrement la puissance de freinage, surtout avant la première utilisation, afin d'expérimenter leur fonctionnement.

- a. Tout en marchant, gardez les doigts légèrement autour des poignées (**Figure 26**). Vous pouvez également les maintenir autour des freins à main, avec le pouce sur l'intérieur de la poignée.
- b. Serrez les freins à main pour ralentir (**Figure 27**).
- c. Vous voulez utiliser le frein de stationnement pour que le déambulateur ne se déplace pas ? Serrez d'abord les freins à main et serrez simultanément les leviers du frein de stationnement. Relâchez ensuite les freins. Votre déambulateur est maintenant en position de stationnement (**Figure 28**).
- d. Pour retirer le déambulateur de la position de stationnement, appuyez à nouveau sur les freins à main et relâchez-les (**Figure 29**). Le déambulateur n'est plus en position de stationnement.

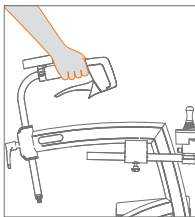


Figure 26: Conduite.

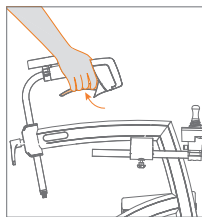


Figure 27: Freinage.

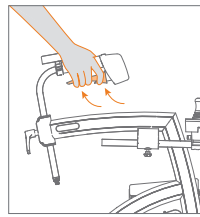


Figure 28: Serrez le frein de stationnement.

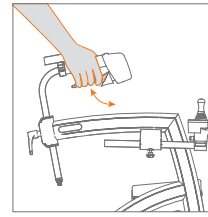


Figure 29: Relâchez le frein de stationnement.



### AVERTISSEMENT

Lorsque vous marchez et que vous appuyez trop fort sur les freins, le Rollz Motion Electric peut s'arrêter brusquement.

## Se reposer sur le Rollz Motion Electric

Le déambulateur Rollz Motion Electric vous soutient lors de votre marche. Si vous vous fatiguez, vous pouvez également vous asseoir sur le siège.

- a. Serrez toujours le frein de stationnement avant de vous asseoir (voir **Fonctionnement des freins**) afin d'éviter que le déambulateur ne se mette à bouger.

- b. Asseyez-vous sur le siège du déambulateur par l'arrière (**Figure 30**).  
Assurez-vous que le déambulateur est toujours en position de stationnement.

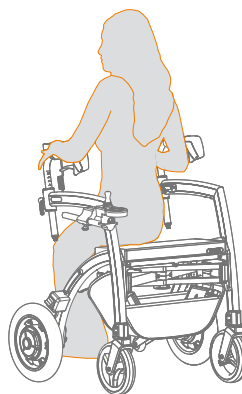


### ATTENTION

Le déambulateur (sans le kit fauteuil roulant) n'a pas été conçu pour que vous déplaciez vous-même lorsque vous êtes assis. Vous pourriez tomber et vous blesser.

### Utilisation du sac

- a. Vous pouvez accéder au sac dessous le siège depuis l'arrière du Rollz Motion Electric.
- b. Le sac peut contenir un poids maximal de 6 kg /13,23 lb.
- c. Lorsque le sac est vide, à l'exception de la batterie et du contrôleur du moteur, il peut rester attaché lors du pliage du cadre.



**Figure 30: Assis sur le siège du déambulateur.**

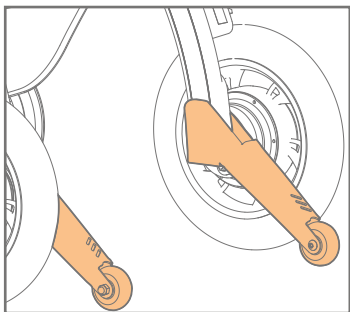
### NOTE

Ne surchargez pas le sac.

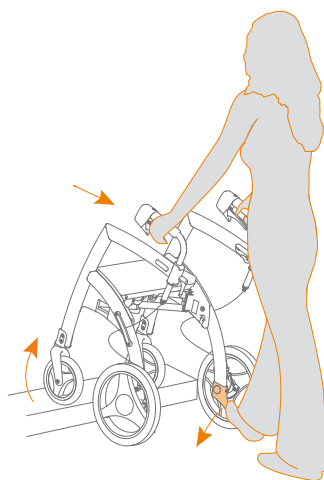
### Franchir des seuils et des trottoirs

Le Rollz Motion Electric dispose de deux aides au basculement pour monter facilement sur les trottoirs jusqu'à une hauteur d'environ 12 cm / 14,72 pouces, ou pour franchir les seuils.

- a. Placez le déambulateur Rollz Motion Electric avec les roues avant contre le seuil ou la bordure du trottoir.
- b. Poussez les aides au basculement (**Figure 31**) vers le bas avec votre pied gauche ou droit, tout en inclinant le Rollz Motion Electric vers vous avec vos mains. De cette façon, les roues avant ne touchent plus le sol. Maintenant, poussez le Rollz Motion Electric vers l'avant jusqu'à ce que vous soyez clairement sur le trottoir ou au-dessus du seuil avec les roues avant (**Figure 32**).
- c. Placez les roues avant sur le trottoir ou le sol.
- d. Poussez ensuite le déambulateur plus loin vers l'avant jusqu'à ce que les roues arrière soient également complètement sur le trottoir ou au-dessus du seuil.



**Figure 31:** Utilisez l'aide au basculement.



**Figure 32:** Monter sur la bordure ou le trottoir ou franchir un seuil.

## DU DÉAMBULATEUR AU FAUTEUIL ROULANT ÉLECTRIQUE

Le Rollz Motion Electric est livré avec le kit fauteuil roulant inclus. Cet ensemble peut être attaché au Rollz Motion Electric avant le départ (**Figure 33**). Cela permet de transformer en moins d'une minute le déambulateur en fauteuil roulant électrique. Avant de vous asseoir, il suffit de tirer le kit fauteuil roulant, de placer les repose-pieds sur le cadre et de tourner les poignées. Avec le système d'assistance électrique, vous pouvez également vous asseoir dans le fauteuil et le conduire vous-même en utilisant le joystick, ou avoir une assistance à la poussée pour votre aidant. Le fauteuil roulant électrique peut être transformé en déambulateur tout aussi facilement.



### ATTENTION

Le fauteuil roulant Rollz Motion Electric peut supporter un poids maximal de 100 kg ou 220 lb. Ce fauteuil roulant électrique est destiné à être utilisé par une seule personne à la fois afin d'éviter que le fauteuil électrique ou le déambulateur ne soient endommagés.



### AVERTISSEMENT

Pendant le transport dans un taxi, autobus, train ou autre véhicule accessible aux fauteuils roulants, l'utilisateur ne peut rester assis dans le Rollz Motion Electric. Le fauteuil roulant électrique n'est pas destiné à cette utilisation. La batterie du Rollz Motion Electric doit être retirée pour tout déplacement aérien.

## Ce qui va où sur le Rollz Motion Electric

1. Kit fauteuil roulant
2. Poignée rouge
3. Boulons de verrouillage
4. Entaille derrière le siège
5. Rails de guidage supérieurs du cadre
6. Dossier
7. Support de repose-pieds
8. Repose-pieds
9. Accoudoirs
10. Les poignées pour le kit fauteuil roulant

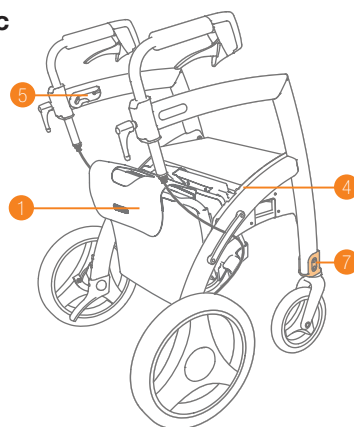


Figure 33: Rollz Motion Electric déambulateur avec kit fauteuil roulant.

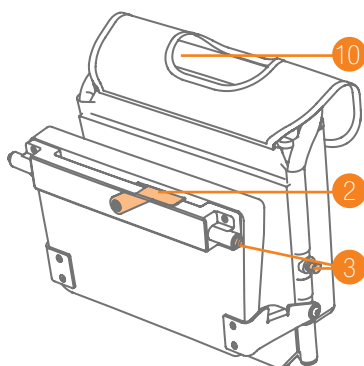


Figure 34: Kit fauteuil roulant.

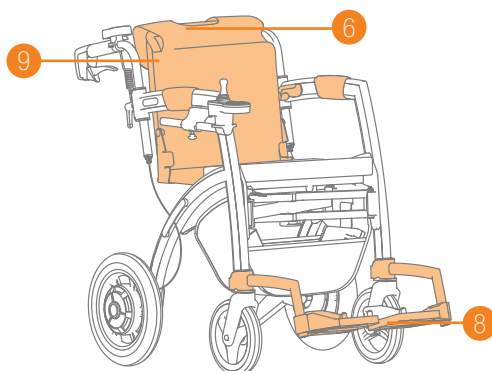


Figure 35: Rollz Motion Electric en position fauteuil roulant électrique avec une personne qui pousse.

## Fixation du kit fauteuil roulant Rollz

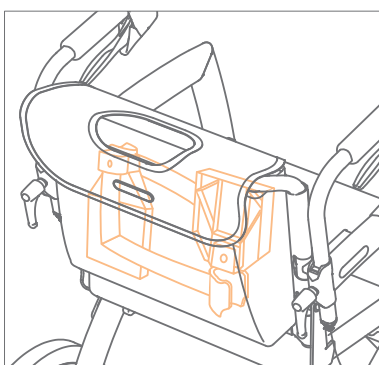
### NOTE

Forcer la poignée rouge peut endommager le Rollz Motion Electric.

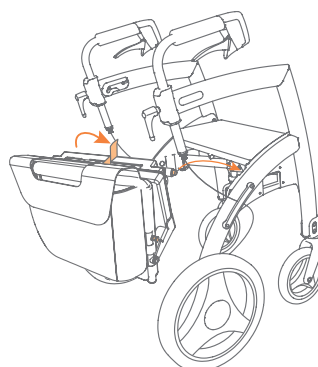
- a. Tenez le kit fauteuil roulant Rollz de façon à ce que le côté du sac soit tourné vers vous (**Figure 36**).
- b. Soulevez la poignée rouge avec votre autre main de façon à ce que les boulons de verrouillage soient attachés.



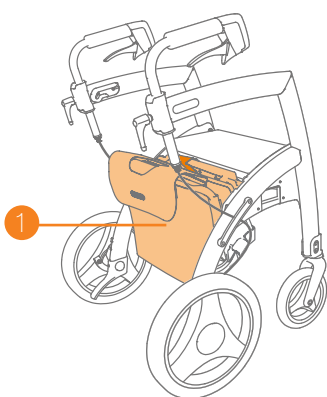
- c. Placez le kit fauteuil roulant Rollz dans les deux encoches situées derrière le siège (**Figure 37**) et (**Figure 38**).
- d. Poussez la poignée rouge vers le bas sans forcer pour verrouiller le kit fauteuil roulant. Les boulons de verrouillage seront libérés et l'ensemble sera correctement fixé (**Figure 39**). Vous pouvez maintenant utiliser le Rollz Motion Electric comme déambulateur tout en transportant le kit fauteuil roulant.
- e. Si vous devez forcer la poignée rouge, sortez le kit fauteuil roulant des encoches situées derrière le siège et réessayez. Veuillez contacter votre fournisseur si vous rencontrez toujours des difficultés après plusieurs tentatives.



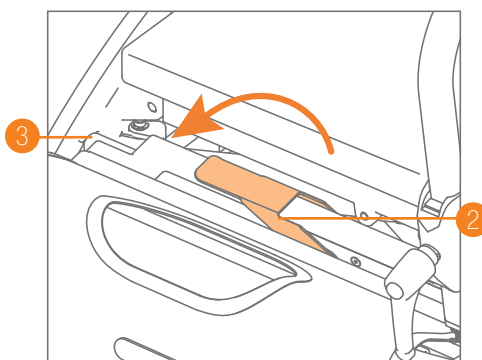
**Figure 36:** Les repose-pieds dans le sac du kit fauteuil roulant.



**Figure 37:** Attacher le kit fauteuil roulant.



**Figure 38:** Le kit fauteuil roulant fixé.



**Figure 39:** Verrouillage du kit fauteuil roulant.

## Extraction du kit fauteuil roulant Rollz

- a. Fixez le kit fauteuil roulant dans le Rollz Motion Electric avant de sortir (**Figure 37**).
- b. Pour convertir le déambulateur en fauteuil roulant électrique, le kit doit être tiré vers le haut. Prenez la poignée du kit fauteuil roulant et tirez légèrement vers le haut et vers l'avant jusqu'à la moitié du cadre (**Figure 40**).
- c. Tirez le dossier vers le haut, puis vers l'arrière (**Figure 41**) de manière à ce que les goupilles de verrouillage s'enclenchent dans les rails de guidage supérieurs du cadre (**Figure 42**). Si les goupilles de verrouillage supérieures ne glissent pas facilement dans les rails de guidage supérieurs du cadre, poussez le dossier vers l'avant jusqu'à mi-hauteur du cadre et réessayez.

### NOTE

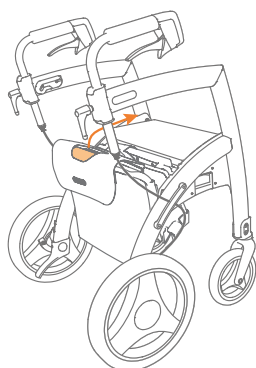
Ne forcez pas lorsque vous tirez sur le kit fauteuil roulant. Cela pourrait endommager le kit fauteuil roulant. Contactez votre fournisseur si le problème persiste après plusieurs tentatives.

- d. Desserrez les poignées de réglages dans le sens inverse des aiguilles d'une montre (**Figure 43**) et tournez les poignées vers l'extérieur, jusqu'à ce qu'elles soient dirigées vers l'arrière (**Figure 44**). Réglez la hauteur pour la personne qui pousse le fauteuil roulant électrique et tournez les poignées de réglages dans le sens des aiguilles d'une montre pour les serrer (**Figure 45**). Voir **Réglage de la hauteur pour une posture correcte**.
- e. Sortez les repose-pieds du sac du fauteuil roulant et placez-les à l'avant du Rollz Motion Electric, dans les supports de repose-pieds du cadre. Faites-les glisser vers le bas en partant du haut des supports de repose-pieds (**Figure 46**). Ne forcez pas si les repose-pieds ne glissent pas en douceur sur les supports de repose-pieds. Retirez-les et réessayez.
- f. Le fauteuil roulant électrique est maintenant prêt à être utilisé (**Figure 47**).

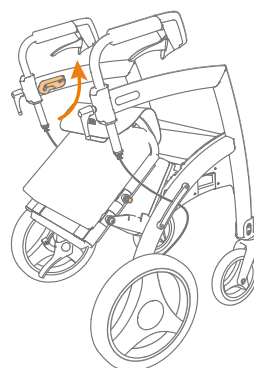


### ATTENTION

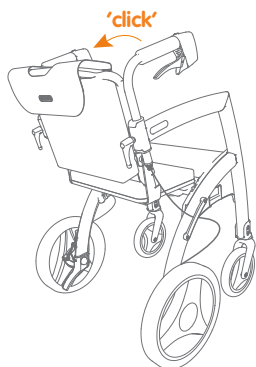
Avant de vous asseoir, vérifiez toujours que les boulons de verrouillage sont correctement fixés dans les rails de guidage. Ne vous asseyez pas si l'un des boulons de verrouillage n'est pas fixé. Essayez plutôt de replacer le siège.



**Figure 40:** Tirez le dossier vers le haut et vers l'avant.



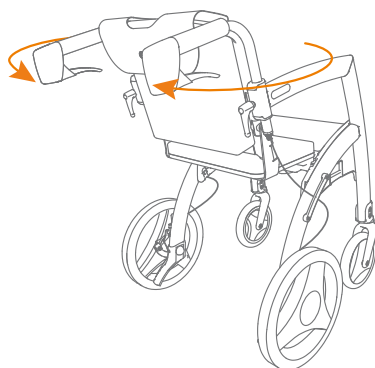
**Figure 41:** Tirez le dossier vers le haut.



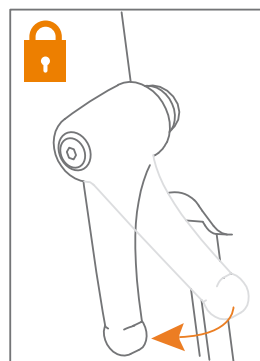
**Figure 42:** Encliquez le dossier dans les rails de guidage.



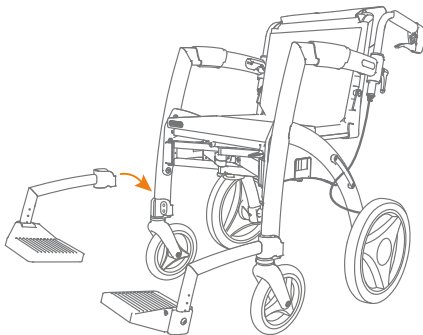
**Figure 43:** Desserrez les poignées de réglages.



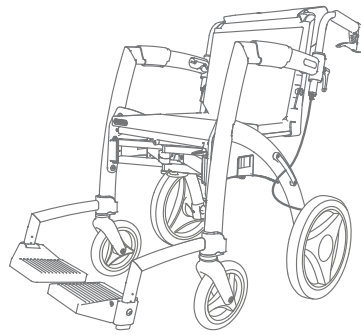
**Figure 44:** Tournez les poignées.



**Figure 45:** Serrez les poignées de réglages.



**Figure 46:** Placez les repose-pieds.

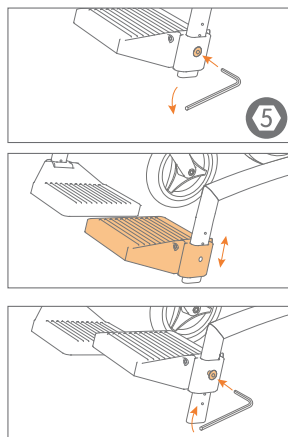


**Figure 47:** Le fauteuil roulant électrique est prêt à être utilisé.

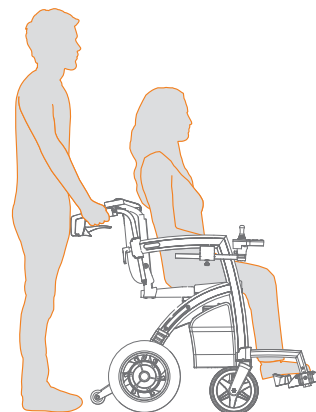
### Réglage des repose-pieds (une seule fois)

Le Rollz Motion Electric est fourni avec deux repose-pieds réglables. Vous pouvez les régler à la hauteur souhaitée à l'aide de la clé Allen de taille 5 fournie (**Figure 48**).

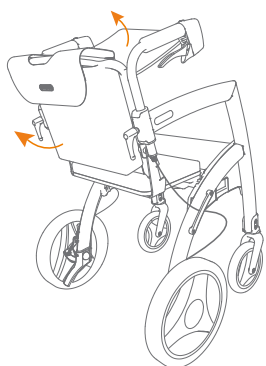
La hauteur correcte dépend de la longueur de la jambe inférieure et de la façon dont l'utilisateur s'assied. Si les repose-pieds sont réglés trop haut, la pression exercée sur les fesses est trop forte. Si les repose-pieds sont réglés trop bas, la pression sur la partie supérieure des jambes est trop élevée. Dans une position correcte, l'utilisateur est assis avec les jambes inférieures à un angle d'environ 90 degrés (**Figure 49**). L'arrière des pieds peut reposer contre le tissu.



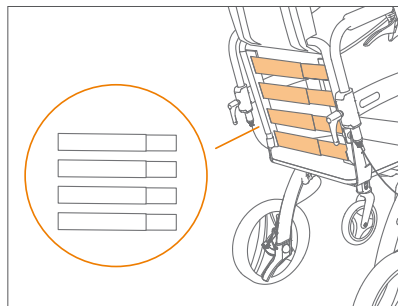
**Figure 48:** Réglage de la hauteur des repose-pieds avec une clé Allen de taille 5.



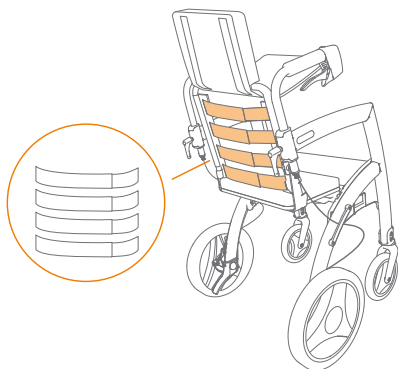
**Figure 49:** Bonne position assise dans le fauteuil roulant.



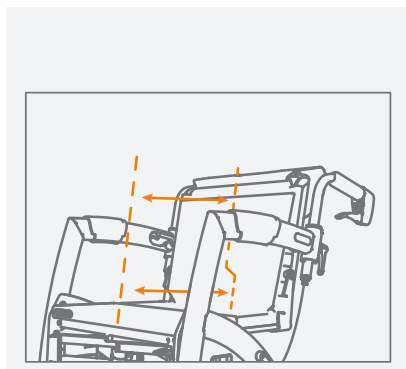
**Figure 50:** Sangles de réglage transparentes.



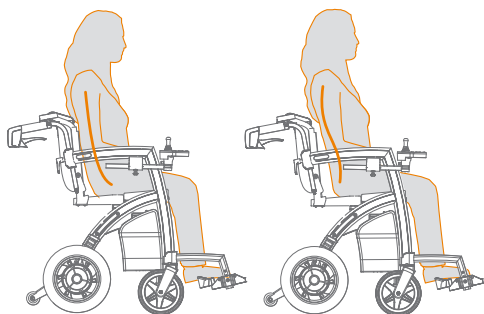
**Figure 51:** Quatre sangles d'ajustement réglables.



**Figure 52:** Desserrer les sangles pour augmenter la profondeur du siège.



**Figure 53:** Les deux sangles inférieures du dos sont détachées.



**Figure 54:** Avant et après le réglage des sangles dorsales, vous voyez à droite la position assise correcte.



## Réglage du dossier (une seule fois)

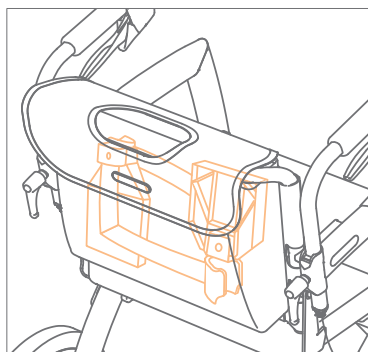
Des sangles de réglage sont placées dans le dossier du kit fauteuil roulant Rollz. Pour être bien assis, il est important d'ajuster ces sangles de réglage selon les besoins de l'utilisateur. Il n'est nécessaire de le faire que lors de la première utilisation, ou lorsque l'utilisateur met du poids.

- a. Transformez le Rollz Motion Electric en fauteuil roulant électrique (**Figure 47**) et retirez les repose-pieds du sac d'emballage du fauteuil roulant.
- b. Remontez le sac du kit fauteuil roulant et la housse du dossier par le bas (**Figure 50**). Les sangles de réglage sont maintenant bien visibles (**Figure 51**).
- c. Ajustez les sangles en retirant le velcro et en le fixant à nouveau au réglage souhaité (**Figure 52**).
- d. Dans la plupart des cas, les sangles inférieures seront ajustées plus lâches que les deux sangles supérieures (**Figure 53**). Fixez les velcros de façon à ce que le bassin de l'utilisateur soit bien droit et que le dossier soutienne bien le dos.
- e. Posez la toile de dossier et le kit fauteuil roulant.
- f. Vérifiez si l'utilisateur peut s'asseoir confortablement dans une position assise correcte (**Figure 54**).

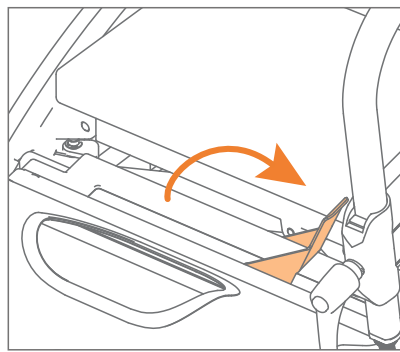


### ATTENTION

Veillez à ce que les sangles du dossier soient correctement réglées (voir **Réglage de la dossier**). Si la profondeur du siège est suffisamment grande, le poids de la personne est placé aussi loin que possible vers l'arrière du siège. C'est plus sûr pour l'utilisateur mais, aussi plus facile à pousser.



**Figure 55:** Rangement des repose-pieds en miroir.



**Figure 56:** Déverrouiller le paquet du kit fauteuil roulant.

## Tirer vers le bas le kit fauteuil roulant

Suivez ces étapes pour transformer le fauteuil roulant électrique en rollator:

- a. Retirez les repose-pieds. Faites glisser les repose-pieds vers le haut jusqu'à ce qu'ils soient libérés des supports de repose-pieds. Remettez-les dans le sac du kit fauteuil roulant Rollz, en miroir l'un par rapport à l'autre (**Figure 55**).
- b. Saisissez la poignée du kit fauteuil roulant et poussez le dossier vers l'avant jusqu'à la moitié du cadre. Ensuite, poussez le dossier vers l'arrière et vers le bas jusqu'à ce qu'il arrive derrière le siège. Le kit fauteuil roulant est alors plié.
- c. Desserrez les poignées de réglages dans le sens inverse des aiguilles d'une montre et tournez les poignées vers l'extérieur jusqu'à ce qu'elles soient dirigées vers l'avant. Réglez la hauteur qui vous convient et serrez les poignées de réglages dans le sens des aiguilles d'une montre. Voir **Réglage de la hauteur pour une posture correcte**.
- d. Le kit fauteuil roulant reste en place lorsqu'il est plié et le déambulateur peut être utilisé pour marcher.

## Retrait du kit fauteuil roulant

- a. Tirez vers le haut la poignée rouge sans forcer. De cette façon, les boulons de verrouillage sont bloqués et le kit fauteuil roulant est déverrouillé (**Figure 56**).
- b. Tenez la poignée du kit fauteuil roulant et tirez-le vers le haut sans forcer.
- c. Puis poussez la poignée rouge vers le bas.
- d. L'emballage peut maintenant être rangé à part, par exemple, pour transporter le Rollz Motion Electric dans une voiture. Les repose-pieds restent à l'intérieur.

## Consignes de sécurité

Dans l'obscurité ou en cas de fortes pluies, la visibilité sur la route peut être obstruée. Cherchez ensemble le meilleur itinéraire de marche et le plus sûr. Une bonne visibilité et une bonne vue sont importantes.

## L'UTILISATION D'UN FAUTEUIL ROULANT ÉLECTRIQUE - avec une personne poussant

### Adaptation à votre rythme

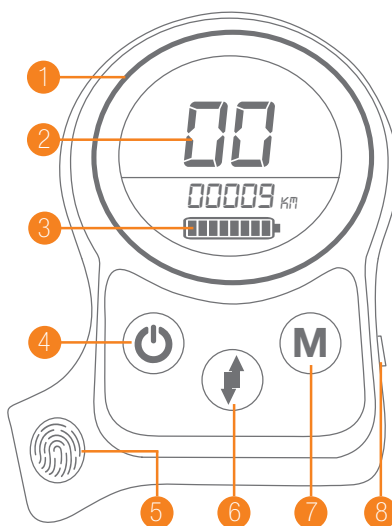
La personne assise dans le fauteuil roulant électrique et qui se fait pousser pour la première fois aura besoin de temps pour s'y habituer. Il en va de même pour l'assistant de poussée. Il est préférable de se concerter constamment avec la personne en fauteuil roulant électrique sur le rythme et le trajet à suivre. Ainsi, vous vous habituerez tous deux à la nouvelle situation. Marchez lentement, afin de pouvoir vous adapter à temps.

### Utilisation du système de soutien électrique - avec une personne poussant

Lorsque vous êtes assis dans le fauteuil, la personne qui vous pousse peut activer le support électrique en appuyant sur le bouton de allumer/éteindre.

#### (Figure 57):


1. Écran multifonctionnel
2. Affichage de l'engrenage
3. Affichage de la batterie
4. Allumer/Éteindre
5. Assistance électrique
6. Direction
7. Engrenage
8. Port de charge (ne pas utiliser)



**Figure 57: Boutons et composants du contrôleur de support de poussée.**

Les étapes suivantes ne peuvent se dérouler que si la personne qui pousse le fauteuil roulant a les mains sur la poignée. Lorsque la personne retire ses mains de la poignée, l'assistance à la poussée s'arrête.






En appuyant sur le bouton  I, la personne qui pousse le fauteuil roulant peut transformer le mouvement avant en un mouvement arrière.

En appuyant sur le **I M I**, la personne qui pousse le fauteuil roulant peut passer les différentes vitesses, qui sont les suivantes:

- 01: Assistance électrique légère, vitesse maximale de 3.0 km/h / 1.9 mph
- 02: Assistance de puissance moyenne, vitesse maximale de 4.3 km/h / 2.7 mph
- 03: Assistance haute puissance, vitesse maximale de 5.5 km/h / 3.4 mph

Verrouillage automatique en mode 01 ~ 03: le verrouillage automatique se produit 5 secondes après avoir quitté la poignée, puis le système de support se verrouille automatiquement, l'écran affiche "LL", le Rollz Motion Electric se verrouille et ne peut pas bouger. Déverrouillez le système en tenant à nouveau la poignée et en appuyant sur n'importe quel bouton ou n'importe quelle touche du contrôleur du support de poussée, "LL" disparaît et le verrouillage est libéré.

## Modes d'assistance électrique

**Assistance à puissance constante:** maintenez la poignée, appuyez sur le bouton On/Off marche/arrêt. Appuyez avec le pouce sur le bouton  I pour que le fauteuil roulant se mette automatiquement en marche à la vitesse programmée. Si vous voulez changer de direction, par exemple, de la marche avant à la marche arrière, appuyez sur le bouton du milieu  I. Si l'icône LCD  clignote, vous êtes en mode de marche arrière. Si vous commencez à marcher en arrière, un signal sonore retentit.

**Assistance autopuissante:** tenez la poignée, poussez le Rollz Motion Electric et l'assistance autopuissante s'active automatiquement. Plus le fauteuil roulant est poussé, plus l'assistance automatique est puissante. Plus le rapport est élevé, plus la puissance est importante. L'assistance automatique fonctionne en poussant le fauteuil roulant en avant et en le tirant en arrière. En descente, l'assistance automatique peut créer une résistance.

Si le mode d'assistance automatique est insuffisant pendant la marche en montée, l'assistance constante peut être lancée en appuyant sur le  I bouton, afin de créer une vitesse de marche constante.

**Anti-chutes:** lorsque vous poussez le fauteuil roulant et que la vitesse du fauteuil roulant est trop rapide, le fauteuil roulant freine automatiquement. Dans ce cas, l'écran affiche "EE". Pour résoudre ce problème et continuer à pousser le fauteuil roulant : retirez vos mains de la poignée, "EE" disparaît et le mode anti-chutes est récupéré.



## AVERTISSEMENT

- Ne conduisez pas dans un trou ou sur un terrain irrégulier. Le fauteuil roulant électrique peut s'incliner avec la personne qui s'y assoit.
- Ne vous heurtez pas violemment à des corniches ou à des élévations. La personne assise dans le fauteuil roulant électrique pourrait être éjectée de celui-ci.
- Lorsque vous marchez avec le fauteuil roulant électrique, regardez attentivement devant vous pour déterminer un itinéraire sûr.
- Attention : ne poussez pas le fauteuil roulant électrique sur le trottoir ou sur toute irrégularité en le faisant avancer. Cela peut être dangereux, car la personne en fauteuil roulant électrique pourrait basculer. Retournez le fauteuil roulant électrique et sortez du trottoir en reculant.

## Monter sur un trottoir

Il est souvent plus facile d'utiliser la liste déroulante de la bordure de la chaussée (si elle existe).  
Pour les bordures jusqu'à 15 mm :

- a. Placez les roues avant du fauteuil roulant contre la bordure.
- b. Poussez lentement le fauteuil roulant vers l'avant.
- c. Lorsque les roues avant sont sur le bord du trottoir, continuez à pousser le fauteuil roulant vers l'avant, de sorte que les roues arrière se retrouvent également sur le trottoir.

Pour les trottoirs d'une hauteur supérieure à 15 mm et inférieure à la hauteur maximale de 50 mm:

- a. Retournez le fauteuil roulant, désactivez le support de poussée et placez les roues des aides à la bascule contre le trottoir.
- b. Tirez lentement le fauteuil roulant vers l'arrière pour que les roues des dispositifs d'aide à la bascule montent sur le bord du trottoir (**Figure 58**). Faites marche arrière jusqu'à ce que toutes les roues aient grimpé le long du trottoir.
- c. Retournez le fauteuil roulant et activez le support de poussée.

## Sortir de la chaussée en toute sécurité

Descendre un trottoir depuis la chaussée (**Figure 59**):

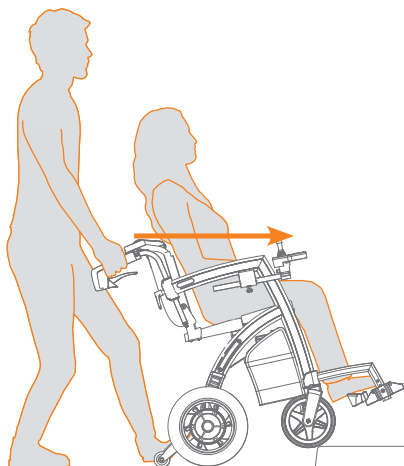
- a. Regardez attentivement devant vous pour choisir la route la plus douce possible.
- b. Approchez prudemment des bordures, des différences de hauteur ou des terrains accidentés.
- c. Le pousseur tourne le fauteuil roulant et recule lentement pour quitter le trottoir.
- d. La personne assise s'appuie contre le dossier jusqu'à ce que le mouvement soit effectué.



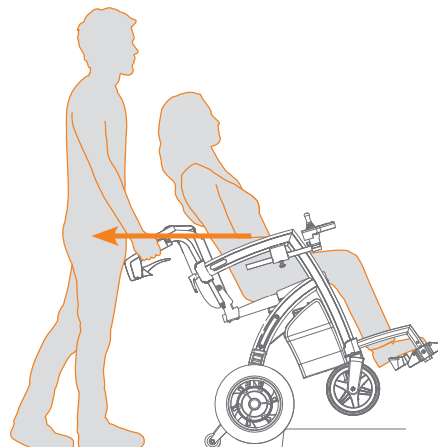
### AVERTISSEMENT

Si le pousseur avance soudainement avec le fauteuil roulant électrique à partir d'une bordure ou d'un rebord dont la hauteur dépasse environ 15 mm / 0,59 pouce, la personne dans le fauteuil roulant électrique peut être projetée vers l'avant et même tomber. Cela peut également se produire si le pousseur heurte violemment une crête. Par conséquent, évitez de rouler ou de vous écraser contre un obstacle.

Évitez également les trous dans la chaussée ou les nids-de-poule sur la surface de la route. L'une des roues avant peut se retrouver brusquement dans un trou, ce qui fait basculer le fauteuil roulant de manière inattendue. La force disproportionnée exercée sur l'une des roues avant peut également endommager la suspension. Soyez donc prudent et choisissez un itinéraire sûr.



**Figure 58:** Passer d'une bordure à un trottoir.



**Figure 59:** Sortir du trottoir à reculons.

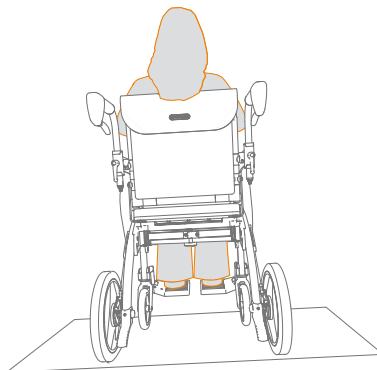
## Pentes

Le fauteuil roulant électrique est destiné à être utilisé sur une surface dure et plane. Il est plus difficile de garder le cap sur des routes légèrement inclinées latéralement. La pente ne doit pas dépasser 3° (**Figure 60**).



### ATTENTION

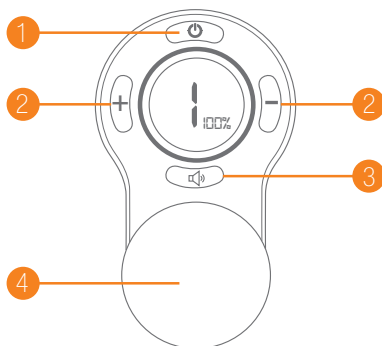
- L'angle de la pente latérale ne doit pas dépasser 3°. Si l'angle latéral est plus important, il y a un risque de basculement avec le fauteuil roulant électrique.
- Si vous montez une pente, il peut être difficile de pousser. Si le pousseur veut faire une pause, mettez le fauteuil roulant électrique sur le frein de stationnement.
- Faites très attention lorsque vous descendez une pente. Le pousseur doit freiner doucement pour éviter qu'il n'aille trop vite.
- Veillez à ne pas conduire sur des pentes trop raides.



**Figure 60:** L'angle maximal de la pente latérale est de 3°.

## UTILISATION DU JOYSTICK - alors que l'utilisateur est assis dans le fauteuil roulant électrique

En étant assis dans le fauteuil, avec le guidon en position rollator pour pouvoir toujours utiliser les freins à main en cas d'urgence, et les barres au-dessus du châssis, vous pouvez activer le système de soutien électrique (**Figure 61**) en appuyant sur le bouton Turn On de la commande avant.



### (Figure 61):

1. Bouton marche/arrêt
2. Boutons de vitesse
3. Klaxon
4. Joystick

**Figure 61:** Affichage et boutons du contrôleur Joystick.

En appuyant sur les boutons, | - | ou | + | vous pouvez passer d'une vitesse à l'autre. Plus le rapport est élevé, plus la vitesse est rapide (1.2 – 6 km/h / 0.8 - 3.7 mph). La plage de vitesse maximale en marche arrière se situe entre (1.0 – 2.2 km/h / 0.6 - 1.4 mph).

En utilisant le joystick, vous pouvez changer la direction, en lâchant le joystick ou en le déplaçant vers la position centrale, le Rollz Motion Electric freinera. Vous pouvez également tirer le joystick vers vous, ce qui freinera le fauteuil roulant plus rapidement, mais cela fait également reculer le fauteuil roulant.

Lorsque vous utilisez le système de soutien électrique lorsque vous êtes assis dans le fauteuil roulant pour la première fois, réglez le Rollz Motion Electric sur la vitesse la plus basse. Cela vous permet de vous familiariser avec le système de commande. Lorsque vous vous sentez suffisamment à l'aise, vous pouvez choisir d'augmenter la vitesse maximale.

**Klaxon:** En appuyant sur le |  | bouton un klaxon retentit. Utilisez-le pour avertir les autres de votre approche ou de votre présence.



### AVERTISSEMENT

Veillez à ne pas prendre de virages brusques à grande vitesse. Sachez que le rayon de braquage est de 158 cm / 5,2 pieds.

### Renversement de situation

En tirant le joystick vers vous, vous conduirez en arrière, veuillez toujours conduire prudemment. Assurez-vous que votre route est aussi libre d'obstacles que possible. Ne faites pas marche arrière à partir d'une pente.



### AVERTISSEMENT

- Ne conduisez pas dans un trou ou sur un terrain irrégulier.
- Ne vous heurtez pas violemment aux rebords ou aux élévations.
- Regardez attentivement pour déterminer un itinéraire sûr.
- Attention : ne pas rouler sur la chaussée ou sur toute irrégularité supérieure à 15 mm / 0,6 pouce.

### Monter sur un trottoir

Pour passer d'une bordure à un trottoir (**Figure 58**):

- a. Placez les roues avant du fauteuil roulant contre le trottoir.
- b. Déplacez le joystick vers l'avant, vous pouvez conduire sur des trottoirs de 15 mm de haut.

- c. Lorsque les roues avant sont sur le trottoir, continuez à pousser le joystick vers l'avant, de sorte que les roues arrière se retrouvent également sur le trottoir.

Il est souvent plus facile d'utiliser la liste déroulante de la bordure du trottoir (s'il y en a une).

## Sortir de la chaussée en toute sécurité

Descendre un trottoir depuis la chaussée (**Figure 59**):

- a. Regardez attentivement devant vous pour choisir la route la plus douce possible.
- b. Approchez prudemment des bordures, des différences de hauteur ou des terrains accidentés.
- c. Lorsque vous descendez une bordure de trottoir, conduisez lentement le fauteuil roulant hors de la bordure. La bordure doit être de max. 15 mm / 0,6 pouces.
- d. Il est souvent plus facile d'utiliser le menu déroulant de la bordure de la chaussée (s'il y en a une).

## Pentes

Le fauteuil roulant électrique est destiné à être utilisé sur une surface dure et plane. Il est plus difficile de garder le cap sur des routes légèrement inclinées latéralement. La pente ne doit pas être trop forte afin d'empêcher le basculement (**Figure 60**).



### ATTENTION

- L'angle de la pente latérale ne doit pas dépasser 3°. Si l'angle latéral est plus important, il y a un risque de basculement avec le fauteuil roulant électrique.
- Soyez très prudent lorsque vous descendez une pente.
- L'utilisation du Rollz Motion Electric sur les escaliers mécaniques est interdite.

## Transferts (monter ou descendre du fauteuil roulant)

Entraînez-vous à faire des transferts avec votre praticien (physiothérapeute ou ergothérapeute) si possible.

Pour monter et descendre du fauteuil roulant électrique, utilisez les accoudoirs comme point d'appui et non le joystick. Les points suivants doivent être respectés pour éviter tout dommage éventuel:

- Conduisez le Rollz Motion Electric aussi près que possible de l'endroit où le transfert aura lieu.
- Assurez-vous que le Rollz Motion Electric est éteint lorsque vous montez ou descendez.

- N'utilisez pas le repose-pieds pour vous mettre debout lorsque vous montez ou descendez.
- Serrez le frein de stationnement avant de monter ou de descendre.
- Veillez à ce que vos pieds ne se coincent pas derrière le repose-pieds ou les parties du cadre.

### **Position assise**

Pour éviter de basculer pendant la conduite, vous devez respecter un certain nombre de points qui peuvent affecter la stabilité et l'équilibre du Rollz Motion Electric. Les points suivants affectent la projection du centre de gravité:

- Hauteur et angle du siège.
- La position assise de l'utilisateur.
- Plan incliné.
- La taille et le poids de l'utilisateur.
- Il n'est pas permis d'effectuer soi-même des réglages sur le Rollz Motion Electric.
- L'extension des bras ou leur déplacement pour saisir des objets de votre Rollz Motion Electric affectera le point de basculement du Rollz Motion Electric.
- Appuyez-vous uniquement sur les accoudoirs du Rollz Motion Electric pour vous repositionner.
- Ne vous repositionnez que lorsque vous êtes à l'arrêt.
- Ne vous appuyez pas sur le repose-pieds lorsque vous vous repositionnez.
- Ne ramassez pas d'objet sur le sol qui vous oblige à dépasser vos genoux.
- Ne vous penchez jamais sur le dossier. Cela pourrait faire basculer le Rollz Motion Electric.
- Ne pas soulever le Rollz Motion Electric lorsque l'occupant est assis.

## SPÉCIFICATIONS ROLLZ MOTION ELECTRIC

### Spécifications du produit (Figure 62) - (Figure 63)

#### Informations sur le matériau

**Cadre:** aluminium soudé avec revêtement.

**Poignées:** mousse de polyuréthane (PU).

**Housse du coussin de siège et kit fauteuil roulant:** 100% polyester.

**Coussin intérieur du siège et kit fauteuil roulant:** remplissage en mousse PU (mousse de polyuréthane).

**Joystick et boutons-poussoirs de la manette:** caoutchouc synthétique.

**Roues avant du Rollz Motion Electric:** pneus en caoutchouc PU.

**Roues arrière du Rollz Motion Electric:** jantes en aluminium avec pneus. Le pneu est en caoutchouc synthétique, la chambre à air en caoutchouc synthétique avec une valve dite de voiture.

**Accoudoirs:** un tissu de fibres élastiques en néoprène et caoutchouc synthétique (Styrol Butadiene Rubber) rempli de mousse de caoutchouc EVA.

**Repose-pieds:** cadre en aluminium avec repose-pieds en plastique.

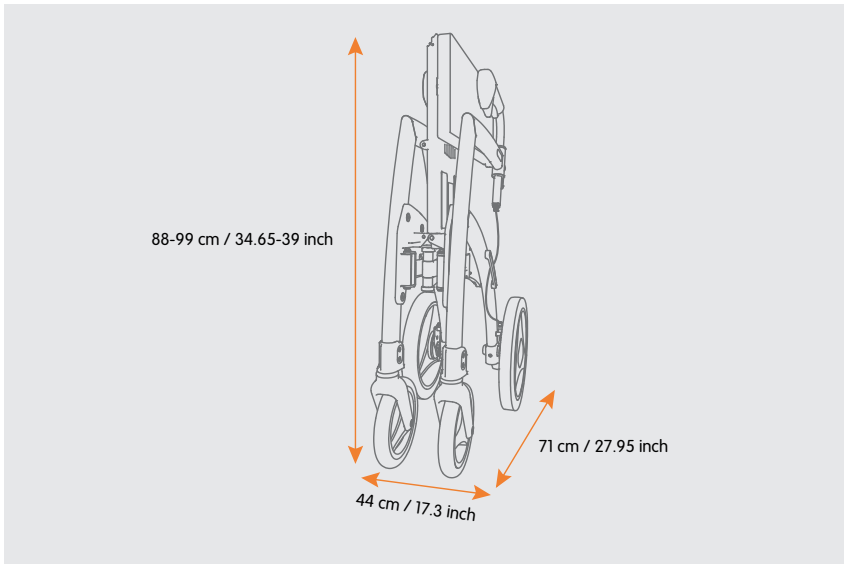
**Boîtier de la batterie:** alliage d'aluminium.

**Dispositif anti-basculement:** acier.

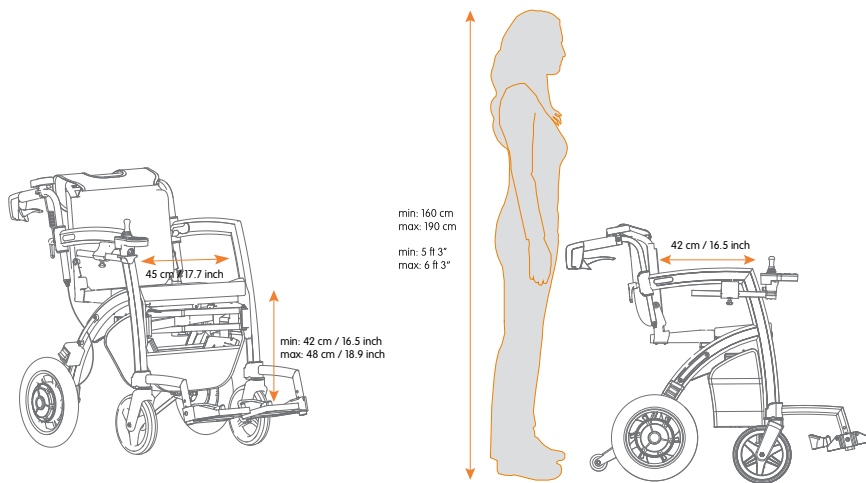


MESURES DU PRODUIT	
Modèle	Rollz Motion Electric
Classe	A
Rouleau de poids	19.6 kg / 43.21 lbs (Sans la batterie) ou 22.6 kg / 49.82 lbs (Batterie incluse)
Poids du kit fauteuil roulant	3.4 kg / 9.5 lbs
Poids déambulateur électrique	23 kg / 50.7 lbs (Sans la batterie) ou 26 kg / 57.32 lbs (Batterie incluse)
Déambulateur déplié avec joystick et support de poussée attachés H x P x L	88-99 x 71 x 74 cm / 34.65-39 x 27.95 x 29.5 inch
Fauteuil roulant électrique déplié, avec un guidon au-dessus du cadre H x P x L	91-99 x 100 x 74 cm / 35.8-39 x 39.4 x 29.5 inch
Déambulateur plié H x P x L	90 x 71 x 44 cm / 35.4 x 28 x 17.3 inch
Fauteuil roulant électrique déplié, H x P x L	91-96 x 110 x 74 cm / 35.8-37.8 x 43.3 x 29.5 inch
Diamètre des roues arrière	12.5 inch (roues pneumatiques)
Largeur des roues arrière	2 ¼ inch
Diamètre des roues avant	8 inch (roues pneumatiques)
Largeur des roues avant	1 ¼ inch
Largeur d'inversion	116 cm / 45.7 inch
Gamme	15 km / 9.3 mile
Vitesse maximale	6 km/h / 3.73 mph
Distance d'arrêt	<100 cm / <39,4 inch
Niveau sonore	<65 dB

La distance à parcourir sera réduite si le fauteuil roulant est fréquemment utilisé sur des pentes, des terrains accidentés ou pour monter des trottoirs. La distance d'arrêt sur les pentes peut être sensiblement plus grande que sur un terrain plat. La largeur maximale de 740 mm est supérieure à la largeur maximale recommandée au point a.1.1 de la norme EN 12184:2014, qui est de 700 mm. L'accès aux voies d'évacuation peut être limité.



**Figure 62:** Voilà à quel point le Rollz Motion Electric plié est compact.



**Figure 63:** Dimensions ergonomiques du fauteuil roulant électrique Rollz Motion Electric.

DIMENSIONS ERGONOMIQUES	
Rollz Motion Electric	
Poids maximal de l'utilisateur	100 kg / 220 lbs
Hauteur minimale et maximale de l'utilisateur et du pousseur	Ca 1.60 m à 1.90 m / 5.25 ft à 6.25 ft
Siège du déambulateur H x P x L	55 x 20 x 45 cm / 21.7 x 7.9 x 17.7 inch
Siège du fauteuil roulant électrique H x P x L	55 x 42 x 45 cm / 21.7 x 16.5 x 17.7 inch
Rouleau à poignées de hauteur	88-99 cm / 34.25-38.6 inch
Fauteuil roulant électrique à poignées de hauteur	84 - 96 cm / 33.1- 36.61 inch
Distance entre les poignées	44.5 cm / 17.52 inch

DÉTAILS TECHNIQUES	
Rollz Motion Electric	
Moteur	DC24V250W2
Puissance du moteur	2*250 W
Alimentation par batterie	Li-ion
Capacité de la batterie	12,5 Ah
Tension nominale de la batterie	24 V
Charge Rand courant de sortie maximum	AC100-240 V 50-60 Hz et 2 A de sortie
Courant de sortie maximal du contrôleur	40 A, courant de fonctionnement 2-3 A

Français

## CODES D'ERREUR ET SOLUTIONS

Un code d'erreur peut apparaître lorsqu'une erreur se produit, vous le reconnaissez à la mention 'EE' sur l'écran LCD. Sous ce 'EE', vous voyez le code d'erreur précis. Trouvez le code d'erreur ci-dessous et voyez la solution. Prenez les mesures décrites dans la solution.

CODES D'ERREUR ET SOLUTIONS		
Codes d'erreur	Failure cause	Solution
E0002	Dysfonctionnement du moteur gauche	Vérifiez si le câble et le connecteur du moteur gauche sont endommagés. Si c'est le cas, contactez le revendeur pour remplacer les pièces cassées.  Si la prise ou le câble n'est pas endommagé, vérifiez si le câble du moteur gauche est bien inséré. S'il est correctement inséré, contactez le revendeur pour approfondir ce code d'erreur.
E0004	Dysfonctionnement du moteur droit	Vérifiez si le câble et le connecteur du moteur droit sont endommagés. Si c'est le cas, contactez le revendeur pour remplacer les pièces cassées.  Si la prise ou le câble n'est pas endommagé, vérifiez si le câble du moteur droit est bien inséré. S'il est correctement inséré, contactez le revendeur pour approfondir ce code d'erreur.
E0008	Erreur de détection du courant du moteur gauche	Contactez le fabricant pour remplacer les pièces cassées.
E0010	Erreur de détection du courant du moteur droit	Contactez le fabricant pour remplacer les pièces cassées.
E0020	La détection de l'alimentation de la batterie n'est pas correcte	Contactez le fabricant pour remplacer les pièces cassées.
E0040	Dysfonctionnement de la tension de 15V	Contactez le fabricant pour remplacer les pièces cassées.
E0800	Défaut de communication de la commande frontale	Vérifiez si les câbles et les connexions sont correctement connectés, voir <b>Câbles et connexions (hebdomadaire)</b> . Si les connexions sont correctes, contactez le fabricant pour remplacer les pièces cassées.
E-021	Défaut de communication de la commande arrière	Contactez le fabricant pour remplacer les pièces cassées.
E-023	Capteur d'attitude anormal	Contactez le fabricant pour remplacer le contrôleur de support de poussée.
E-024	Callbrage de l'attitude du véhicule	Assurez-vous que le guidon est en position d'appui. Appuyez et maintenez le bouton On/Off jusqu'à ce que vous entendiez un message vocal, relâchez le bouton et gardez le Rollz Motion Electric immobile jusqu'à ce que le 00001 disparaisse de l'écran.
E-025	Erreur du capteur de détection de la prise en main	Contactez le fabricant pour remplacer les pièces cassées.
E-026	Erreur du capteur de détection de la prise en main	Contactez le fabricant pour remplacer les pièces cassées.
E-027	L'écran tactile est anormal	Contactez le fabricant pour remplacer les pièces cassées.

## ACCESSOIRES

La fonctionnalité du Rollz Motion Electric peut être étendue en utilisant des accessoires tels qu'une housse de voyage, un parapluie, une ceinture, un porte-gobelet et un support dorsal flexible. N'utilisez que des accessoires originaux ou approuvés par Rollz International BV. De nouveaux accessoires sont régulièrement mis sur le marché. Visitez [www.rollz.fr](http://www.rollz.fr) ou demandez à votre fournisseur les nouveaux accessoires.

## MAINTENANCE

Un entretien régulier prolonge la vie et augmente la sécurité de votre Rollz Motion Electric. Laissez uniquement les revendeurs agréés Rollz remplacer ou réparer les pièces qui sont usées, endommagées ou cassées.

### Nettoyage/désinfection

Nettoyez fréquemment votre Rollz Motion Electric pour le garder en condition optimale.

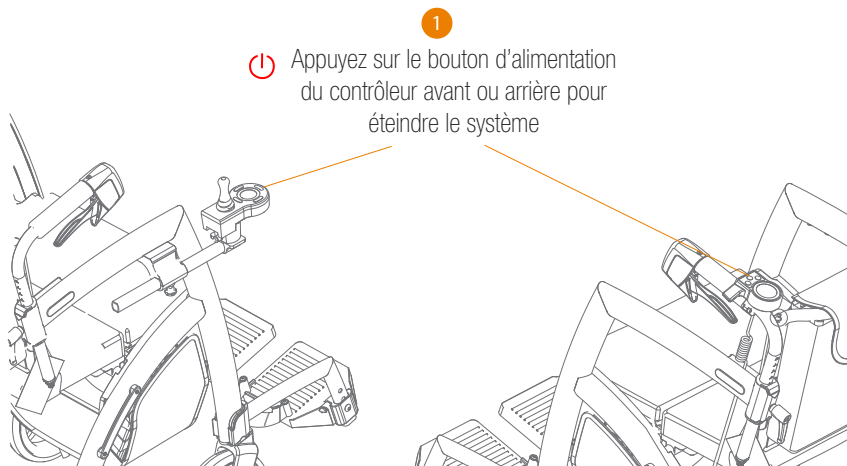
- a. Nettoyez le cadre et les poignées à l'aide d'eau tiède et d'un chiffon. Séchez soigneusement votre Rollz Motion Electric après le nettoyage. Pour les taches plus résistantes, vous pouvez utiliser un détergent doux.
- b. Évitez tout contact excessif de l'eau avec les pièces mobiles, telles que les essieux et les points d'articulation.
- c. Les poignées du déambulateur, la poignée du kit fauteuil roulant et les accoudoirs ne peuvent pas être désinfectés avec un désinfectant à base d'alcool. Cela endommagerait le matériau. Nettoyez ces pièces avec de l'eau chaude savonneuse. Veillez à tout sécher pour éviter la corrosion.
- d. Les roues peuvent être nettoyées avec de l'eau tiède et une brosse avec des poils en plastique. N'utilisez pas de brosse métallique, car elle pourrait endommager votre Rollz Motion Electric.
- e. Avant de transmettre le Rollz Motion Electric à un nouvel utilisateur, il faut le désinfecter.
- f. Ne pas rincer les parties électriques avec de l'eau. REMARQUE : Lorsque la batterie est entrée en contact avec de l'eau, éteignez complètement le produit avant de retirer la batterie, et n'utilisez pas le Rollz Motion Electric avant de sécher la batterie. Une fois complètement sèche, vous pouvez remplacer la pil.

### NOTE

N'utilisez pas de désinfectant à base d'alcool.

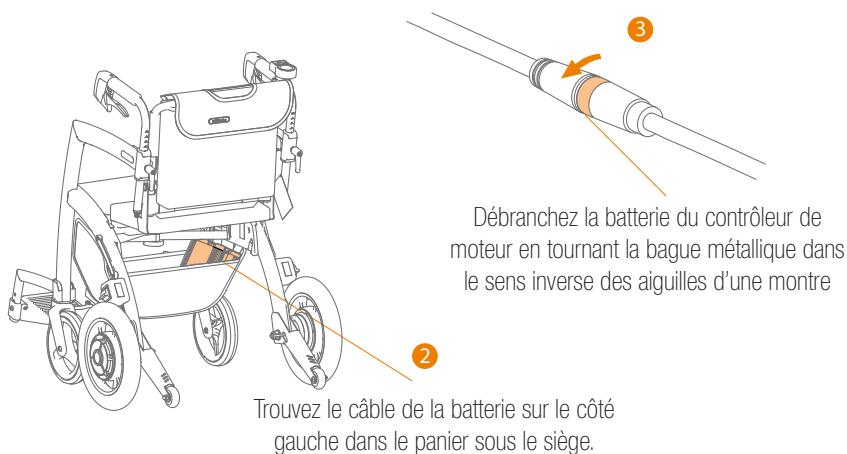
## Débrancher la batterie

Éteignez le système, serrez le frein de stationnement, ne laissez pas de personne assise dans le fauteuil roulant et placez le Rollz Motion Electric sur une surface plane avant de retirer la batterie. Trouvez le câble de la batterie et débranchez-le en tournant la bague métallique du connecteur dans le sens inverse des aiguilles d'une montre. Vous trouverez le câble de la batterie dans le panier sous le siège. Après avoir débranché le câble, vous pouvez dérouler les bandes velcro pour sortir la batterie.



1 Appuyez sur le bouton d'alimentation du contrôleur avant ou arrière pour éteindre le système

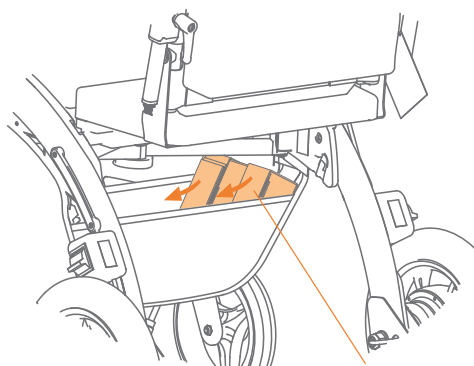
Figure 64: Éteignez le système avant de retirer la batterie.



3 Débranchez la batterie du contrôleur de moteur en tournant la bague métallique dans le sens inverse des aiguilles d'une montre

2 Trouvez le câble de la batterie sur le côté gauche dans le panier sous le siège.

Figure 65: Localisez et déconnectez la batterie.



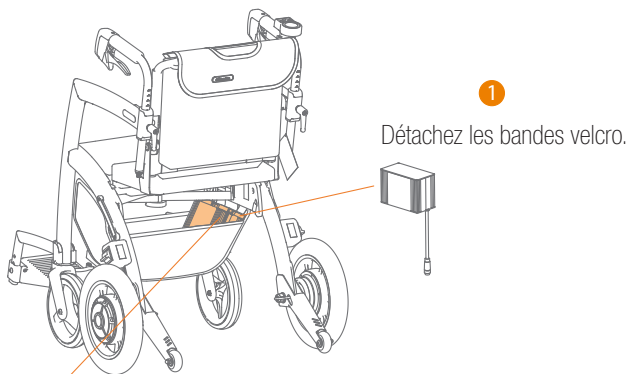
Détachez les bandes velcro.

4

**Figure 66: Déballez la batterie.**

### Reconnexion de la batterie

Placez la batterie dans le sac en orientant le câble vers le bas. Enroulez les bandes Velcro et serrez-les fermement. Trouvez le câble de la batterie et connectez-le à la batterie en tournant l'anneau métallique du connecteur dans le sens des aiguilles d'une montre. Vous trouverez le câble de la batterie dans le panier sous le siège. Après avoir vérifié la connexion du câble, vous pouvez remettre le système sous tension et tester les fonctionnalités du système.



1

Détachez les bandes velcro.

2

Repositionnez les bandes velcro et reconnectez-le avec le contrôleur du moteur.

3

Appuyez sur le bouton d'alimentation pour remettre le système en marche.

4

Vérifiez toutes les fonctions.

**Figure 67: Rebranchez la batterie.**

## Rangement du Rollz Motion Electric

Stockez toujours votre Rollz Motion Electric dans un environnement propre, sec et sans poussière.

Ne stockez pas votre Rollz Motion Electric dans un environnement où il pourrait entrer en contact direct avec de l'eau ; avec des températures inférieures à -5 °C / 23 °F et supérieures à 45 °C / 113 °F ; avec une humidité très élevée.

## Entretien de la batterie (quotidien)

Vérifiez la capacité restante de la batterie. Si la batterie atteint la fin de sa durée de vie et doit être remplacée, veuillez contacter le fournisseur ou un revendeur agréé Rollz.

La durée de vie et les performances de la batterie dépendent de la température, de l'état de la batterie et du poids de l'utilisateur. Au fur et à mesure que la batterie vieillit, une perte de capacité peut se produire (s'il y a une perte significative de l'autonomie ou si le chargement du produit prend beaucoup plus de temps), dans ce cas nous recommandons de remplacer la batterie en contactant le revendeur.

Avant toute utilisation, vérifiez que la batterie est entièrement chargée. Le temps de charge normal de la batterie est d'environ 5 heures. Lorsque la batterie est complètement vide, le temps de charge peut atteindre 5 à 6 heures.

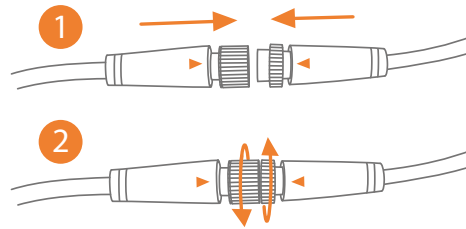
Si vous n'utilisez pas la batterie pendant une période prolongée, assurez-vous qu'elle est chargée au moins tous les 2 mois. Si vous ne chargez pas la batterie pendant une période prolongée, vous risquez de provoquer des dommages internes.

## Câbles et connexions (hebdomadaire)

Vérifiez que les pièces électriques et les fils de connexion sont correctement raccordés et qu'ils ne sont pas endommagés. Même le plus petit dommage peut entraîner des situations dangereuses (par exemple, un court-circuit) et doit être réparé immédiatement. S'il y en a, contactez le fournisseur ou faites-le réparer par un revendeur Rollz agréé. Ne le réparez pas vous-même.

Vérifiez si les connexions ont été fixées conformément à la **Figure 68**. Ne retirez pas ou ne déconnectez pas les composants lorsque le système de support électrique est sous tension.





**Figure 68:** Assurez-vous que les connecteurs sont bien alignés et serrez-les si nécessaire.

### Moteurs (tous les mois)

Vérifiez que les moteurs des roues arrière ne présentent pas de fissure ou de déformation visibles, qu'ils peuvent tourner librement et que le bruit n'augmente pas pendant l'utilisation. Vérifiez que les écrous et autres fixations qui attachent les moteurs au cadre sont bien serrés et n'ont pas de jeu. N'utilisez pas le Rollz Motion Electric si l'un de ces points a été remarqué. Contactez le fournisseur ou un distributeur agréé Rollz.

### Contrôleur de poussée et contrôleur de joystick (tous les 3 mois)

Nettoyer soigneusement la manette et le joystick avec un chiffon imbibé d'un nettoyant neutre dilué. N'utilisez jamais de matériaux abrasifs ou de détergents alcoolisés pour le nettoyage. Protégez le contrôleur contre tout dommage pendant le transport du fauteuil roulant. Empêchez toujours la pénétration de liquides dans les ouvertures des contrôleurs.

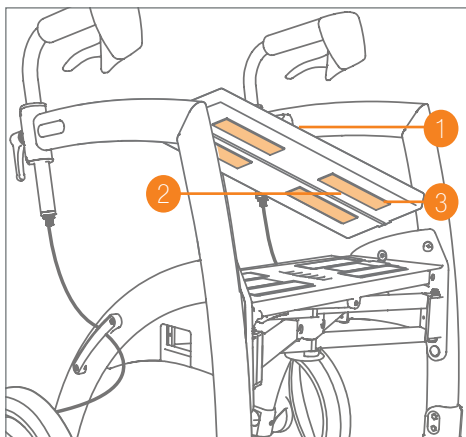
### Lavage de la housse de siège

La housse du coussin de siège est lavable; retirez toujours le coussin intérieur avant de le laver.

- a. Retirez le velcro de la housse du coussin du siège (**Figure 69**).
- b. Défaites la housse et retirez le coussin intérieur.
- c. La housse est maintenant prête à être lavée dans la laveuse à une température maximale de 30 °C / 86 °F.
- d. Il suffit de faire sécher la housse à l'air libre, pas dans la sècheuse.
- e. Remettez le coussin intérieur dans la housse et fermez la fermeture éclair du siège.
- f. Remplacez le coussin sur le siège.

## NOTE

Ne jamais blanchir ou nettoyer à sec la housse et ne pas la repasser.



**Figure 69: Retirer le coussin de siège du déambulateur.**

### Qu'est-ce qui est où?

1. Coussin de siège
2. Velcro
3. Fermeture éclair

### Performance des freins (quotidien)

Vérifiez la performance de freinage des freins. Lorsque les freins sont utilisés, les roues du Rollz Motion Electric doivent s'arrêter. Si les roues ne s'arrêtent pas lors de l'utilisation des freins: arrêtez immédiatement le système, vérifiez qu'il n'est pas endommagé et essayez de régler les freins selon les explications ci-dessous. Contactez le fournisseur si les freins sont endommagés ou si la performance de freinage ne permet pas au Rollz Motion Electric de s'arrêter après réglage. Ne réparez pas les freins par vous-même.

### Réglage des freins

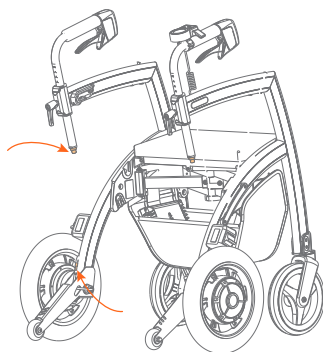
Les freins du Rollz Motion Electric peuvent s'user. Par conséquent, il peut être nécessaire de les réajuster. Lorsque les freins sont correctement réglés, vous évitez les problèmes et pouvez les utiliser de manière optimale. Vérifiez les freins régulièrement, de préférence avant chaque utilisation. Lorsque le Rollz Motion Electric est en frein de stationnement, les roues ne doivent pas tourner. Lorsque les freins à main sont relâchés, le Rollz Motion Electric ne doit pas être ralenti.

Si les freins ne fonctionnent pas correctement, ils peuvent être réglés de deux façons : en haut et en bas du câble de frein (**Figure 70**). Le réglage en haut du câble de frein (juste en dessous de la poignée de réglage de la hauteur) permet d'affiner le réglage, de sorte que la performance des freins ne soit pas altérée. Le frein peut être réglé un peu plus serré. Le réglage en bas du câble de frein (près des roues arrière) est destiné à un réglage plus radical. Assurez-vous que les freins gauche et droit sont correctement réglés

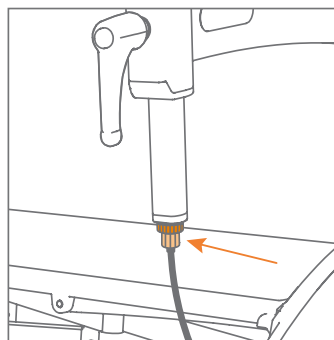
## Réglage du frein en haut du câble de frein

Vous pouvez serrer les freins à l'aide du réglage des freins situé en haut.

- a. Le Rollz Motion Electric ne doit pas être sur les freins de stationnement pendant le réglage des freins.
- b. Desserrez d'abord la bague de verrouillage (tirez le câble vers le bas pour faciliter l'opération). Cela vous donne l'espace nécessaire pour serrer ou desserrer la vis de réglage située en dessous (**Figure 71**).
- c. Resserrez la bague de verrouillage et vérifiez si le frein fournit la force de freinage souhaitée.
- d. Faites de même de l'autre côté et vérifiez si les deux freins offrent la même résistance.



**Figure 70:** Réglage du frein par les vis de réglage situées en haut et en bas du câble de frein.



**Figure 71:** Réglage du frein par la vis de réglage, juste en dessous de la bague de verrouillage.

## Réglage du frein en bas du câble de frein

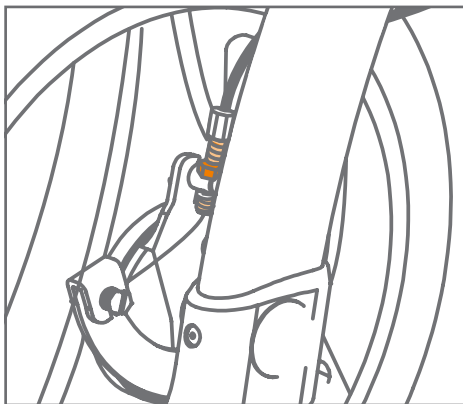
Si vous avez besoin de serrer les freins plus que ce que le réglage supérieur permet, vous pouvez les régler davantage en utilisant le réglage inférieur du frein.

- a. Le Rollz Motion Electric ne devrait pas être sur les freins de stationnement lors du réglage des freins.
- b. Restez à l'arrière du Rollz Motion Electric lorsque vous réglez les freins. Desserrez la bague de verrouillage en bas du câble de frein (tirez le câble vers le haut pour faciliter l'opération). Tournez la vis de réglage située au-dessus pour raccourcir ou allonger le câble de frein (**Figure 72**). Tournez dans le sens des aiguilles d'une montre pour augmenter la puissance de freinage, et dans le sens inverse pour la réduire.
- c. Lorsque le frein a la force désirée, serrez la bague de verrouillage.
- d. Faites la même chose de l'autre côté.
- e. Vérifiez si la force de freinage du côté gauche et du côté droit est égale.



### ATTENTION

Si les freins ne fonctionnent pas correctement après les avoir réglés, contactez immédiatement votre fournisseur et n'utilisez pas le Rollz Motion Electric.

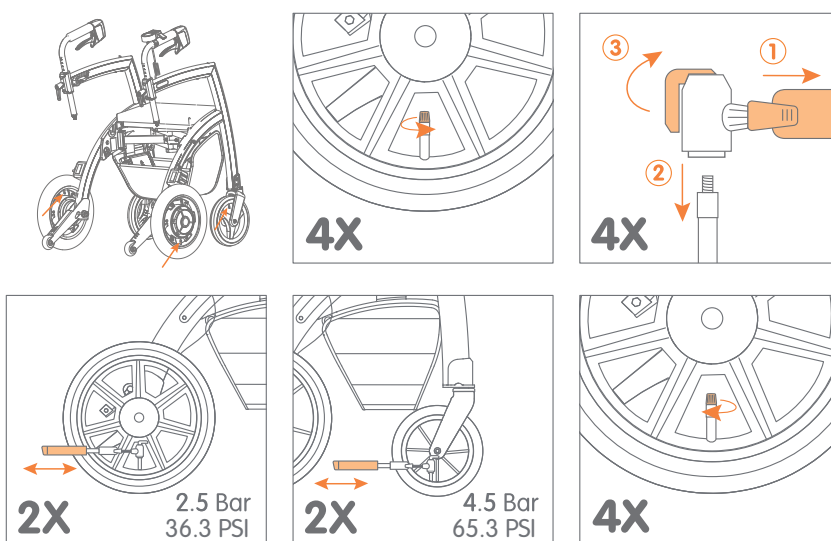


**Figure 72: Réglage du frein par le circlip (orange foncé) et la vis de réglage, détail.**

## Gonfler les pneumatiques (environ tous les mois)

Le Rollz Motion Electric a des roues pneumatiques. Ces pneus pneumatiques doivent être gonflés régulièrement pour une utilisation optimale (**Figure 73**). Les chambres à air sont équipées de valves Schrader, également appelées valves de voiture. Emportez toujours la pompe fournie avec vous sur la route pour l'utiliser si nécessaire. Elle se range dans le sac du kit fauteuil roulant.

Deux pompes par bande suffisent généralement pour obtenir la pression recommandée. Les pneus arrière doivent avoir une pression maximale de 2,8 bars ( $\approx$ 2,8 atmosphères ou 40 PSI ou 280 kPa). Les pneus avant doivent avoir une pression maximale de 4,5 bars ( $\approx$  4,5 atmosphères ou 65,3 psi ou 450 kPa)



**Figure 73: Gonfler les pneumatiques.**



### ATTENTION

Ne gonflez pas les pneus au-delà de la pression conseillée pour éviter qu'ils éclatent sous l'effet de la pression élevée.

### NOTE

Vérifiez fréquemment si les pneus sont suffisamment gonflés. Quand le Rollz Motion Electric est difficile à pousser, c'est souvent que les pneus sont trop mous.

## Remplacement des pièces

Les pièces d'usure, comme la mousse des poignées, les pneus, les roues, les câbles de frein et le coussin du siège, sont sujettes à l'usure. Veuillez contacter votre fournisseur pour le remplacement des pièces.

## Pneus à plat

Arrêtez immédiatement le système et n'utilisez pas le Rollz Motion Electric si un pneu est à plat, crevé ou cassé. Contactez le fournisseur ou les revendeurs agréés Rollz pour remplacer le pneu.

### NOTE

N'utilisez que des pièces originales ou approuvées par Rollz International BV.

## GARANTIE

Si quelque chose fait défaut avec votre Rollz Motion Electric dans les deux ans suivant son achat, contactez votre fournisseur. Il cherchera une solution aussi rapidement que possible en consultation avec Rollz International. Nous appliquons les dispositions de garantie ci-dessous.

Les réparations sont également possibles après l'expiration de la garantie, contre remboursement des frais encourus. Veuillez contacter directement votre revendeur.

## Provisions pour garantie

Rollz® International BV, établi à Delft aux Pays-Bas (ci-après "Rollz"), en sa qualité de fabricant, garantit que le Rollz Motion Electric (ci-après: "product") est produit selon les dispositions suivantes:

1. La période de garantie générale pour le premier propriétaire (ci-après: "client") est de 24 mois à compter de la date d'achat.
2. Rollz accorde une garantie de cinq ans à compter de la date d'achat sur les erreurs de matériau et de construction du cadre dans des conditions normales d'utilisation et d'entretien.
3. La garantie sur la batterie est de 18 mois.
4. La garantie sur tous les composants du système d'assistance électronique, à l'exception de la batterie, est de 24 mois.
5. La garantie donne droit à la réparation, explicitement pas à l'échange ou à la reprise d'un produit.

6. En cas de réparation, le client prend en charge le transport du produit vers et depuis le magasin où il a été acheté (le "fournisseur"). Le fournisseur organisera la réparation en consultation avec Rollz.
7. La garantie ne peut être invoquée que si le client fournit au fournisseur une copie du reçu d'achat avec la date d'achat et une description claire des plaintes, ainsi que le produit défectueux.
8. Si nécessaire, Rollz s'occupe du transport du produit, du fournisseur à Rollz et vice versa, à ses propres frais et risques, mais seulement si la réparation est couverte par la garantie.
9. La période de garantie n'est jamais prolongée, même en cas de réparation.
10. La garantie n'est pas transférable et ne peut donc être invoquée que par le premier acheteur.
11. La garantie n'affecte pas les droits dont dispose le client en vertu de la loi.

La garantie ne s'applique pas dans les situations suivantes:

- a. si le client a effectué ou ordonné des modifications ou des réparations sans avoir obtenu la permission écrite de Rollz ou du fournisseur;
- b. lorsqu'une défectuosité a été causée par une négligence, un accident, une utilisation ou un entretien qui n'est pas indiqué dans ce guide;
- c. si le numéro de série est endommagé ou retiré;
- d. si le dommage subi par le produit est le résultat d'une usure normale.

### **Register your Rollz Motion Electric**

Veuillez enregistrer votre produit auprès de Rollz International en remplissant le formulaire en ligne à l'adresse suivante [www.rollz.fr](http://www.rollz.fr). Assurez-vous d'entrer le numéro de série du Rollz Motion Electric. Ce numéro se trouve sur l'autocollant situé sur le siège (sous le coussin). Vous pouvez également vous inscrire à une infolettre électronique pour rester à l'affût des nouvelles sur les produits Rollz.

## CONTACT

Rollz International est toujours désireux d'améliorer ses produits et s'intéresse à vos commentaires.

Veillez nous les envoyer à [info@rollz.com](mailto:info@rollz.com).

Vous pouvez nous envoyer vos questions à la même adresse:

### **Rollz® International BV**

Rotterdamseweg 402M

2629HH Delft

les Pays-Bas

+31 (0)20 362 20 10

[info@rollz.com](mailto:info@rollz.com)

[www.rollz.com](http://www.rollz.com)





# rollz®



rollzint



RollzInternational



rollzint



RollzInternational

Version 2023.02