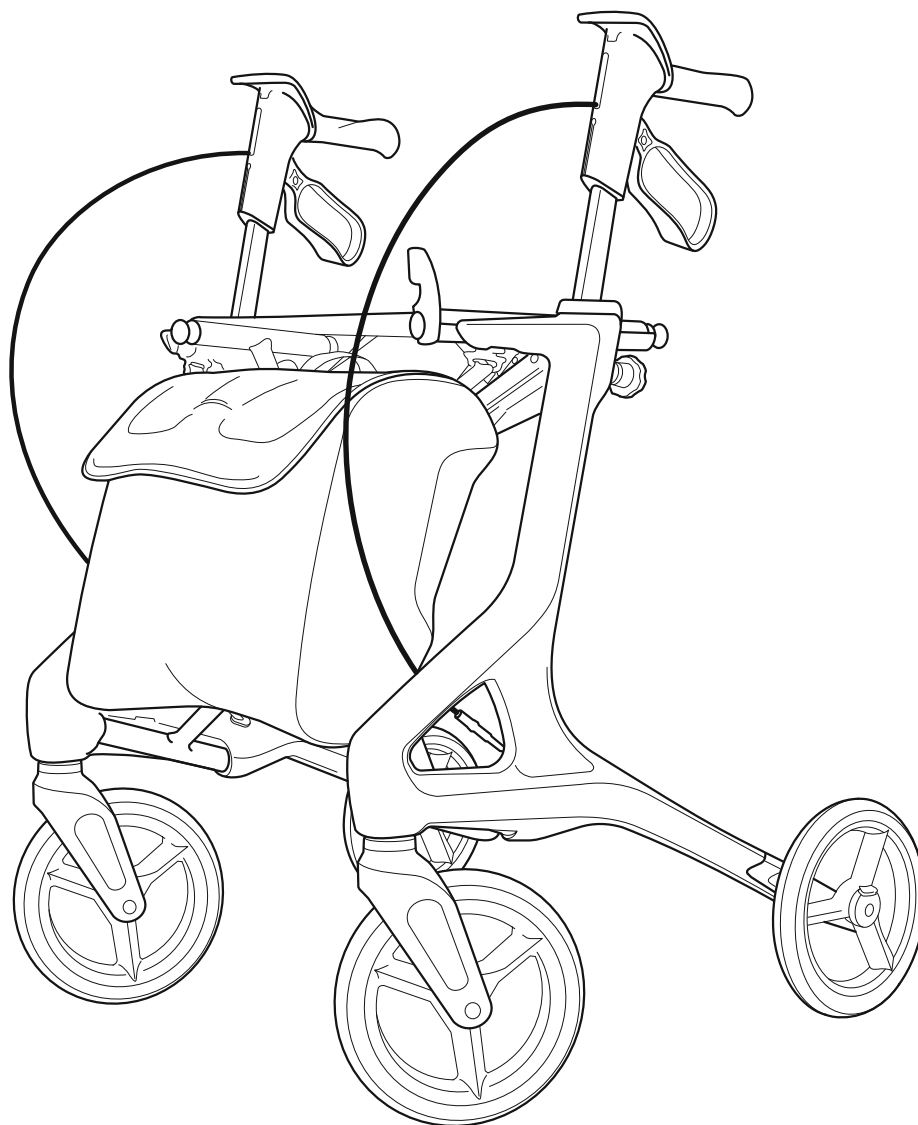


# TOPRO

## Instructions for use TOPRO Pegasus



[topromobility.com](http://topromobility.com)

made in Norway



EN

Illustrations  
Measurements  
Technical data  
Article numbers

NO

Illustrasjoner  
Mål  
Tekniske data  
Artikkelnummer

DE

Illustrationen  
Messungen  
Technische Daten  
Artikelnummern

NL

Illustraties  
Afmetingen  
Technische data  
Artikelnummers

SV

Illustrationer  
Mätningar  
Teknisk data  
Artikelnummer

DA

Illustrationer  
Mål  
Teknisk data  
Artikelnumre

FI

Kuvituskuvat  
Mitat  
Tekniset tiedot  
Artikkelinumerot

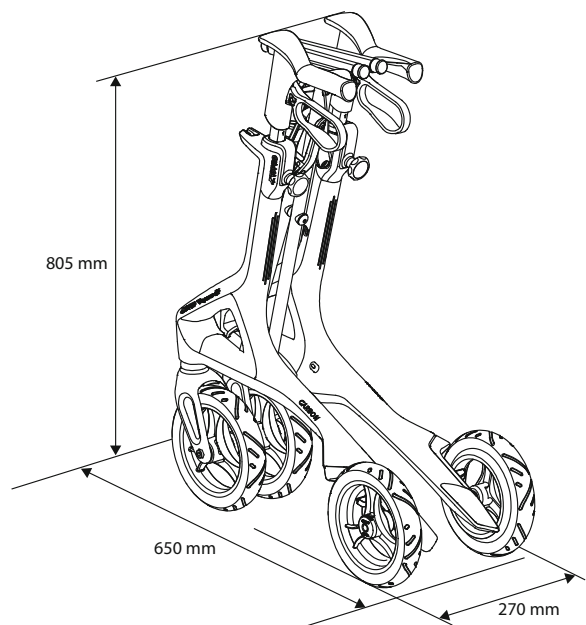
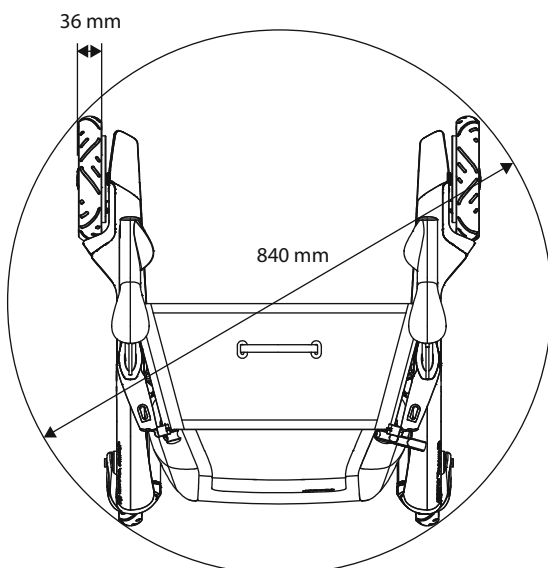
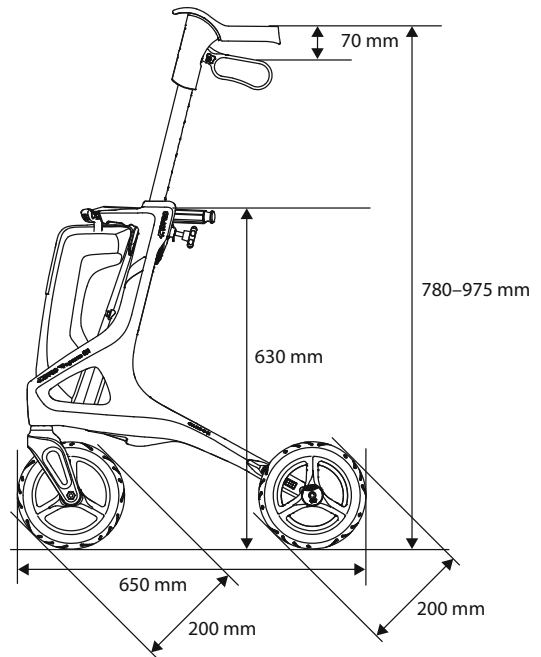
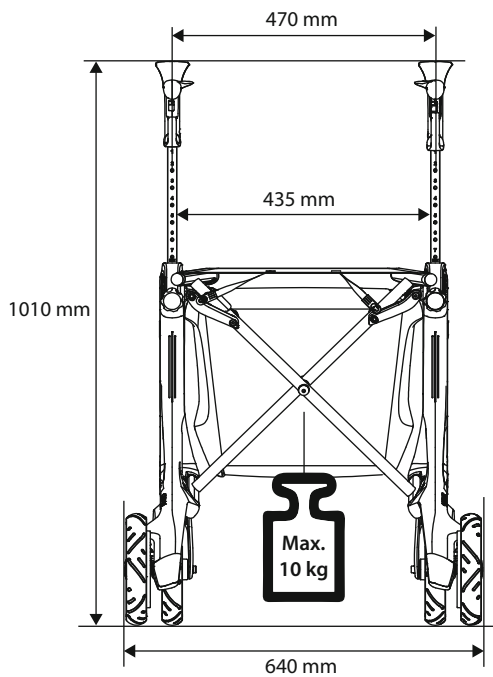
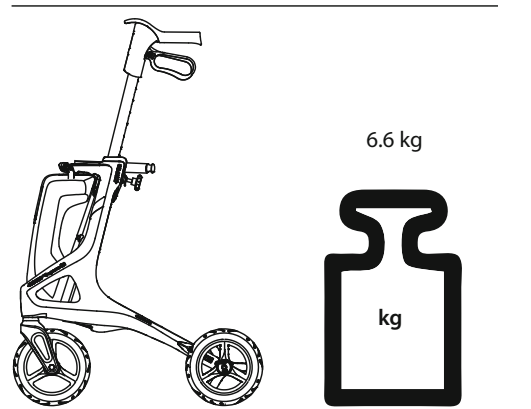
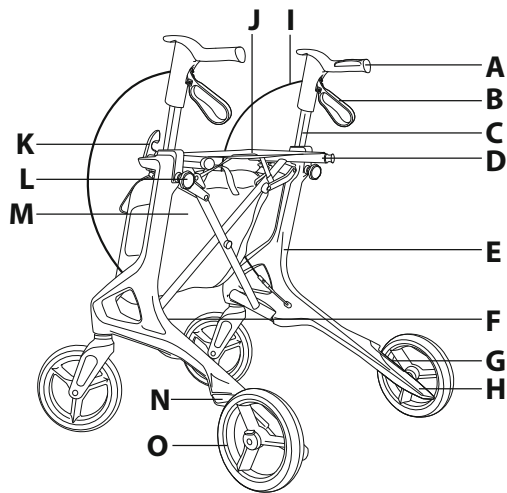
FR

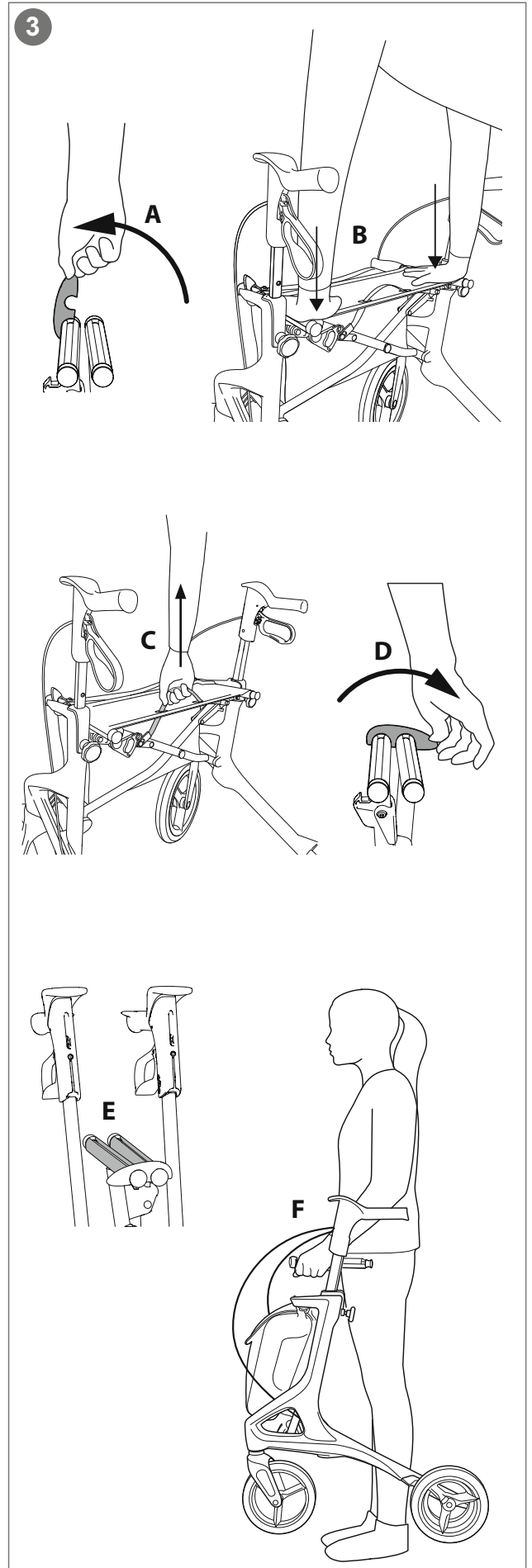
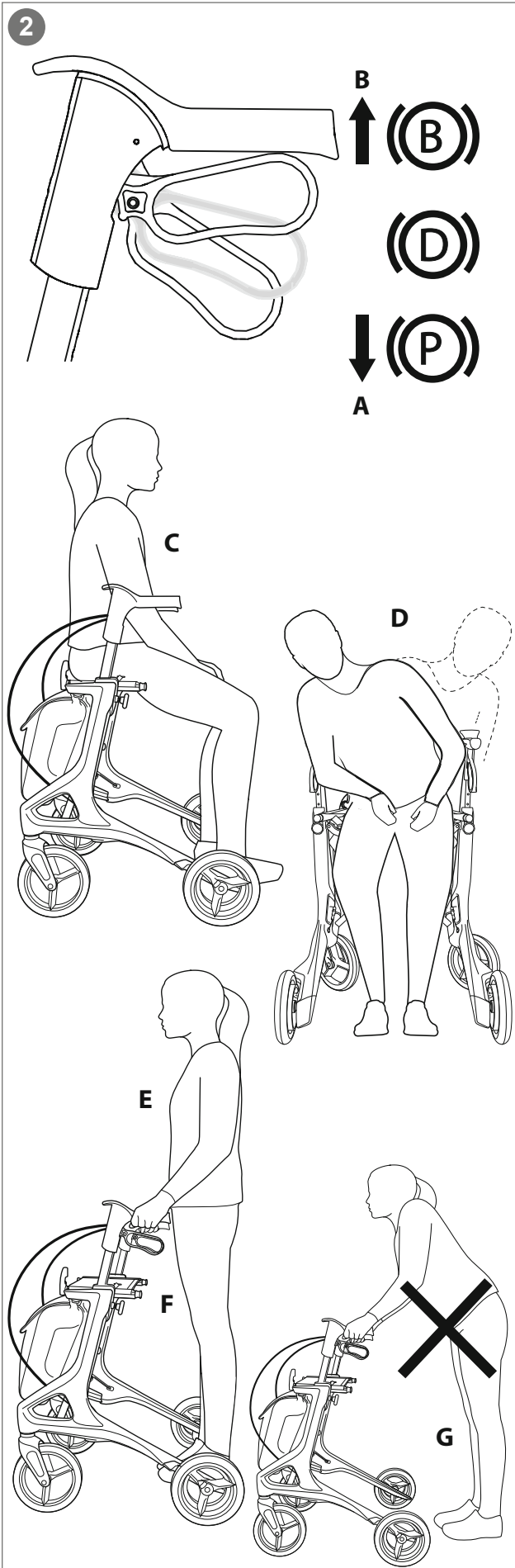
Illustrations  
Dimensions  
Données techniques  
Numéros d'article

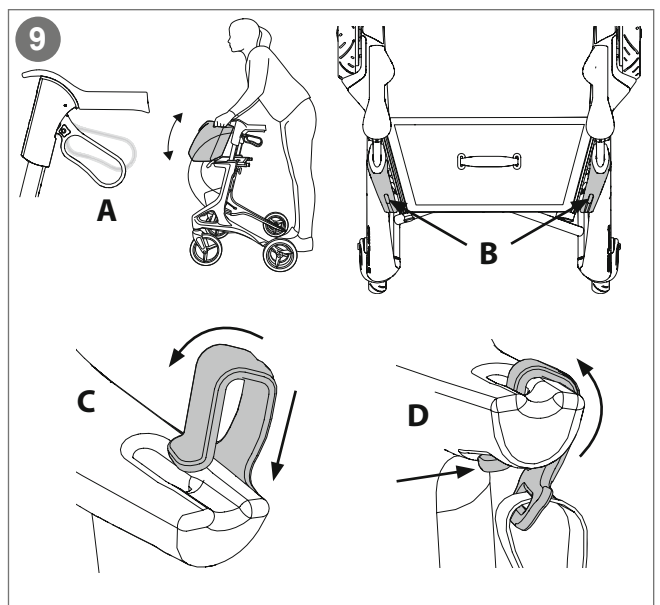
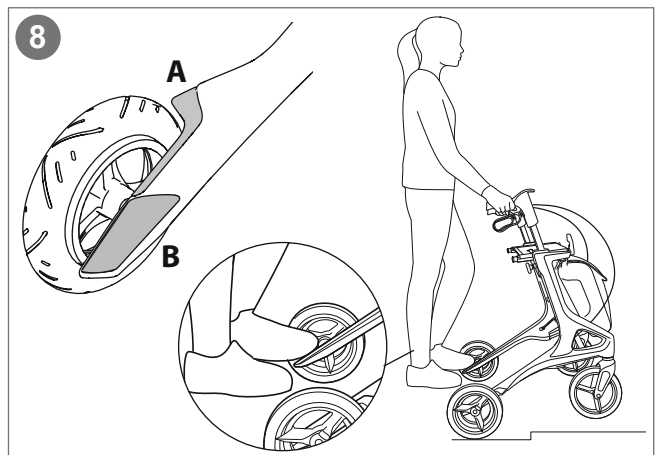
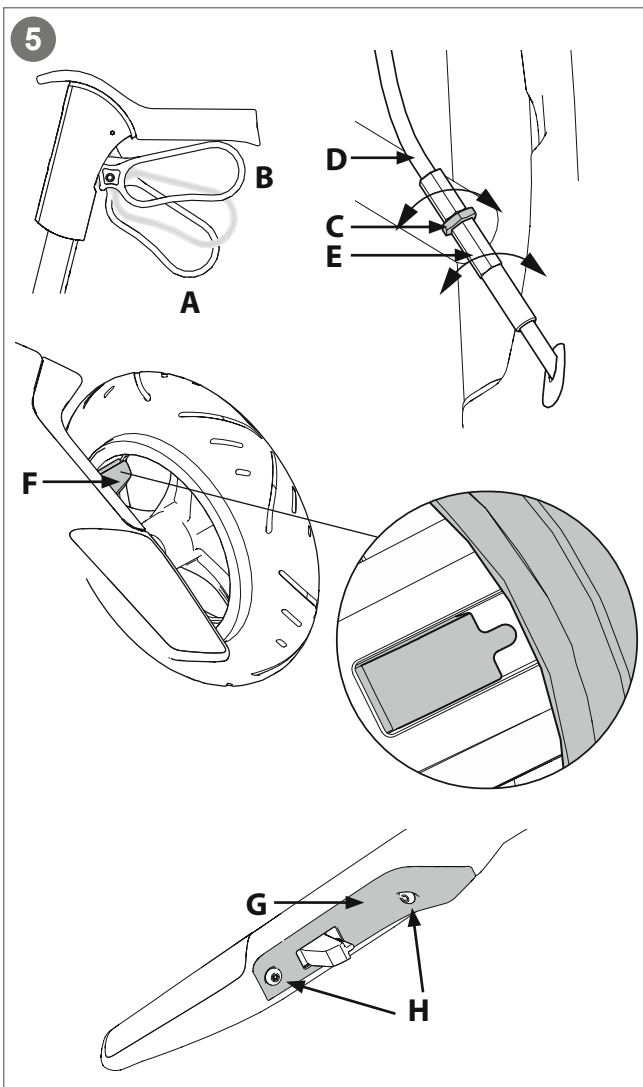
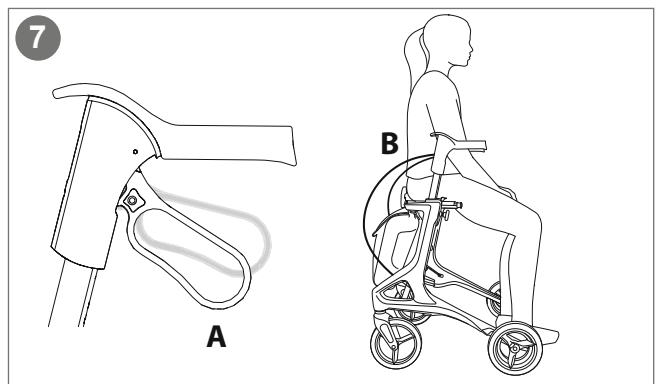
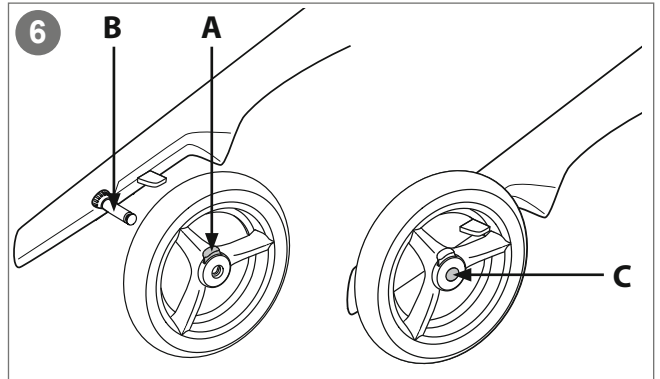
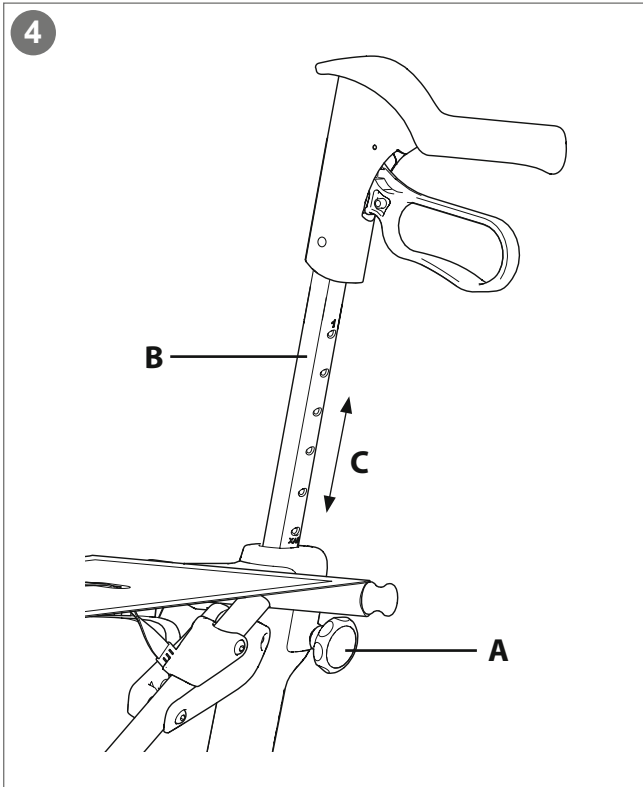
ES

Ilustraciones  
Medidas  
Datos técnicos  
Números de artículo

1







10

**TOPRO** TOPRO Pegasus — 9  
 Model no. 815020 — 10

1 — **TOPRO Industri AS**  
 Rambekkvegen 5, NO-2816 Gjøvik, Norway

2 — Max 130kg

3 — Max 650 mm

4 — Max 640mm

5 — Max 1015 mm

6 — MD

7 —

8 — [www.topromobility.com](http://www.topromobility.com)

11 — 2021-12-05

12 — SN 0000245745611

13 — GTIN 7054321250005

**TOPRO** TOPRO Pegasus — 9  
 Model no. 815020 — 10

1 — **TOPRO Industri AS**  
 Rambekkvegen 5, NO-2816 Gjøvik, Norway

2 — Max 130kg

3 — Max 650 mm

4 — Max 640mm

5 — Max 1015 mm

6 — MD i

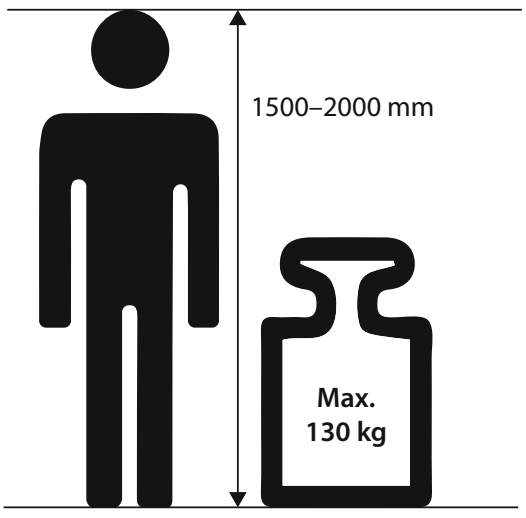
7 —

8 — [www.topromobility.com](http://www.topromobility.com)

11 — 2021-12-05

12 — SN 0000245745611

13 — GTIN 7054321250005



## Congratulations with your choice of a new TOPRO rollator

Every TOPRO rollator is developed, designed and manufactured in Norway. The product conforms to Medical Device Regulation (EU) 2017/745. It is tested and approved according to EN ISO 11199-2:2021. On receipt of the goods, please check your product. If you have any queries, please contact your mobility shop or dealer immediately. If you have problems reading this user manual, an electronic version is available on [topromobility.com](http://topromobility.com).

### Intended use

The TOPRO Pegasus shall give support to users with reduced balance and/or reduced walking ability. It is designed to be pushed, not pulled. The integrated seat provides an opportunity for the user to rest if needed. The intended user is an adult. Height and weight restrictions apply.

*Contraindications: The product is not suitable for persons with low strength in arms, with very poor balance, or with considerable cognitive disabilities. The product is designed and approved for both indoors and outdoors use. Outdoors the rollator is intended to be an aid for walking on roads and paths. It is not suitable in rough and/or steep terrain, neither for stairs.*

To get to know the rollator and learn how to use it properly, training by a professional is recommended.

## 0 The grey numbered circles in this user manual refers to the numbered information graphic and illustrations inside the cover

### 1 Get to know your TOPRO product

- |                                      |  |
|--------------------------------------|--|
| <b>A</b> Handle                      | <b>I</b> Brake cable                           |
| <b>B</b> Brake lever                 | <b>J</b> Seat with strap for folding mechanism |
| <b>C</b> Handle tube                 | <b>K</b> Locking clamp                         |
| <b>D</b> Seat bars / Carrying handle | <b>L</b> Lock wheel for the handle             |
| <b>E</b> Side frame                  | <b>M</b> Shopping bag                          |
| <b>F</b> Product label               | <b>N</b> Edge guard                            |
| <b>G</b> Brake block                 | <b>O</b> Detachable rear wheels                |
| <b>H</b> Tilting function            |  |

### 2 Safety

When folding and unfolding the rollator, be aware so you do not hurt your fingers.

Be aware not to put your fingers in open holes or between stationary parts.

Make sure that the lock wheels for height adjustment of the handles are locked tight.

When stationary or parked, make sure the parking brakes on both sides are activated (A).

Do not use the rollator on stairs. Be careful when passing kerbs.

Check the brakes before use every time, and that the rollator locks in unfolded position.

Check frames for damages prior to use.

Do not use the rollator to transport heavy loads or persons.

Be aware that some parts of the rollator might feel hot or cold when exposed to extreme temperatures.

Do not modify the product as this might put your safety at risk and the guarantee will become void.

Before sitting on the seat (C), make sure the parking brakes on both sides are activated (A).

To reduce the risk of falling, do not lean or bend sideways or over to the back of the rollator whilst in the seated position. Do not tilt the rollator too much sideways (D), to avoid the risk of falling. For the same reason, bags etc. must never be hung on the handles.

To give the right support and safety, walk straight and make sure the rollator is kept as close to your body as possible (E). Walk between the rear wheels (F), not behind them (G).

Be aware that the rollator may roll faster than you when walking downhill, which may put you in risk of falling. Activate the driving brakes to adjust the speed (B).

Be careful when wearing fluttering skirts or trousers as they could get caught in the wheels, which could lead to falling. Wear sturdy footwear to avoid injuries.

For safety reasons it is prohibited to sit on the rollator during public transportation. Store your rollator safely and make sure the parking brakes on both sides are activated (A).

Do not use the rollator on slippery or icy surfaces.

Keep the rollator away from fire and hot items.

Do not climb on the rollator.



### 3 Unfolding / Folding

**Unfolding:** Release the lock clamp positioned at the seat bars (A). Press the seat bars down and outwards. The side frames will slide apart. Press down the seat bars (B). You will hear a clicking sound. The rollator is now locked in its open position.

**Folding:** Pull the strap on the seat (C) and press the side frames together. Lock the clamp (D) over the seat bars.

**Carrying the rollator:** The rollator must not be carried by the seat strap or the brake cables. Fold the rollator as shown on the illustration (E). Carry the rollator by the seat bars (F) when folded.

### 4 Handles

**Height adjusting:** Untighten the lock wheel (A) (approx. 2 turns). Adjust the handle tube (B) to a suitable height, then pull it slightly up and down (C) until you hear a clicking sound. Tighten the lock wheel (A). Adjust both handles to the same height by comparing the number scale on each side. The lowest possible position of the handlebars (where the markings are not visible) is not a user height (it is for transportation only). *It is recommended that the handles are set to the same height as your wrists when your arms are hanging alongside your body.*

### 5 Brakes

Make sure the brakes are working before each trip. Each brake lever (A) works on each of the rear wheels. *Do not drive or push the rollator while the parking brakes are activated.*

**Parking brakes:** Push both brake levers downwards (A) until they lock. Both rear wheels are now locked. Squeeze both brake levers upwards to release the parking brakes.

**Driving brakes:** Pull both brake levers upwards (B) to reduce speed. *Do not use continuously while the rollator is in motion.*

**Adjusting / checking:** Loosen the nut (C). Tighten the brake cable (D) with the adjustment screw (E). Adjust the brake block (F) so the distance to the inner drum brake is approximately 1 mm, and then tighten the nut (C). Turn the wheel around to check that the brake block is not touching the wheel.

**Maintaining:** Clean the brake block (F) and the brake cover (G) regularly. Control/tighten the screws (H). The wheels and brake parts can be replaced if they are worn out or damaged.

### 6 Detachable rear wheels

**Removal:** Loosen the brake lever. Push down the red button on the hub (A) and slide the wheel off the axle (B) while still pushing the button down.

**Attachment:** Loosen the brake lever. Slide the wheel onto the axle (B). Push the wheel as far as possible inwards on the axle to make the wheel snap onto the axle. You will hear a "click" when the wheel secures in locked position. The wheel is securely fastened when the axle is completely visible in the middle of the hub (C). Gently pull the wheel to check that it is securely fastened to the axle. After the new wheel has been applied to the rollator, ensure that the brakes are functioning properly. Readjust them if necessary (*see section Brakes*).

### 7 Seat

The rollator has a safe and convenient mesh seat, which provides view to the ground while walking. It can easily be wiped off with a cloth if needed. The parking brakes must be activated before using the seat. Push both brake levers downwards (A) until they lock. Both rear wheels are now locked. Sit with your back towards the bag (B).

### 8 Edge guard / Tilt function

**Edge guard:** The edge guards (A), which are in front of the rear wheels prevent the rear wheels from catching on corners, door frames etc.

**Tilt function:** To use the tilt function use the front of the foot and press down on the tilt pedal (B), which is beside the rear wheel. This helps to tilt the rollator over thresholds, edges etc. Please note: Take care when descending kerbs.

### 9 Shopping bag

The bag is designed for carrying items weighing up to a total of 10 kg.

**Mounting:** Activate the parking brakes (A). Place the hooks in the hole positions on top on each side of the frame (B). Slightly turn the hooks outwards and push them gently down (C). You will hear a "click" sound when the hooks are positioned correctly. Please note that on the back side of the shopping bag, there are two Velcro straps. For a better weight distribution, we advise to use the Velcro straps by attaching them around the lower part of the cross bar.

**Removal:** Activate the parking brakes (A). If attached, start with loosening the Velcro straps at the lower part of the cross bar. Next, grip the lower part of the hooks, turn them slightly outwards and push them upwards to detach them from the holes (D).

### TOPRO ErgoGrip

TOPRO ErgoGrip offers ergonomic grip and support surfaces. The top front of the handles provides steady grip position when getting up from a chair or couch. Always make sure the parking brakes are activated when getting up from seated position. The ErgoGrip also offers extra support while standing. Always use the traditional grip position for easy access to the driving brakes while walking.

### Transport

The rollator should be transported in the folded and locked position (*see section Unfolding / Folding*). Ensure that the lock clamp is on, so that the rollator cannot unfold unintentionally. Be careful when loading the rollator into a vehicle, giving attention to securing it.

### Storage

The rollator should be stored in an upright position. If stored outdoors it must be under a cover to protect it. Do not leave the rollator unattended. Do not put heavy items on top of the rollator during storage.

### Cleaning

The rollator can be cleaned using a damp nonabrasive cloth. In case of mud and grime accumulation, a cloth with a mild washing detergent can be used followed by rinsing with lukewarm water. Do not use high pressure cleaners and avoid flushing directly against ball bearings (in wheels and front forks). Do not use abrasives or steam wash. The bag must be detached before cleaning the rollator. The bag can be removed and washed gently at max. 40 °C. Do not spin-dry, to avoid damage to the side panels. Remember to close the bag before washing. Dry the rollator using a soft nonabrasive cloth.



## Disinfection

Disinfection must only be carried out by authorized personnel. Please contact your local dealer or mobility aid centre. During disinfection adequate protective equipment must be worn, and the instructions of the disinfectant manufacturer must be followed. The surface of the rollator should be cleaned with a soft cloth or sponge and an approved chemical disinfectant intended for use on acrylic paint. We advise against disinfectant that contains chlorine or phenol. Do not use heat disinfection. *The manufacturer cannot be held responsible for any damage or injuries that might occur using harmful disinfectant or disinfection carried out by unauthorized personnel.*

## Inspection / Maintenance / Re-use

It is recommended that inspection and maintenance are carried out regularly (frequency is determined by how and how often the rollator is used). Check the following items: Frame, screws, handles, handle tubes, brakes, brake parts, wheels, seat and accessories. This also applies when the rollator is to be prepared for re-use. Please see detailed instructions in this user manual about maintenance of brakes and cleaning/disinfection. The recommended maintenance is not a requirement, and no preventive maintenance is required provided that the rollator is used as intended according to this user manual.

## Material / Recycling

The rollator is made of an acrylic-coated carbon frame, aluminium tubes, plastic couplings, and material made of plastic and polyester. All outer parts are corrosion protected. There are ball bearings in all wheels and forks. Most rollator parts can be recycled. Dispose the rollator and its packaging according to the applicable regulations in your country. For information, please contact your public authorities.

## Warranty

TOPRO Pegasus is guaranteed free of faults and defects for 7 years. Damage caused by incorrect use or parts that are exposed to natural wear and tear (e.g., brake block, brake cable, wheel, bag, seat, handle, paint on frame, holes/local damage to frames) are exempt from the 7-year warranty. For repairs during the warranty period, please contact your local mobility shop or dealer. The warranty is void if unauthorised spare parts or accessories have been or are being used on the product. The expected lifespan of the product is estimated to be 10 years if it is used in the correct manner according to this user manual and its safety and maintenance instructions.

## 10 Product label

- 1 - Manufacturer
- 2 - Maximum user weight
- 3 - Maximum length of rollator
- 4 - Maximum width / height of rollator
- 5 - Medical Device
- 6 - Consult Instructions for use (blue icon on new label)
- 7 - Intended for indoors and outdoors use
- 8 - CE-marking (This product conforms to Medical Device Regulation (EU) 2017/745)
- 9 - Model name
- 10 - Model number
- 11 - Date of manufacture
- 12 - Serial number
- 13 - Global Trade Item Number
- 14 - GS1 DataMatrix

## Accessories

	TOPRO Item No.
Back support with padding, 67 cm	815270
Back support with padding, 75 cm	815272
Tray	814728
Anti-slip mat for tray	814059
Crutch holder	815236
Bell	814626
LED lamp with clip-on and USB plug	815260
Umbrella with attachment, black	814068
One-handed brake	814026
Rear bag with zipper	814046
Name tag	814024
Transport bag	814042
Studded tyres, 2 rear wheels	815331

Accessories mounted on the rollator may influence stability, we therefore advise you to use them with care. Accessories can be ordered separately to enable TOPRO Pegasus to be customised to individual needs. Contact your mobility shop, dealer or TOPRO for an updated overview of available accessories or visit our homepage [topromobility.com](http://topromobility.com).

## Gratulerer med valget av en ny TOPRO-rullator

Hver TOPRO-rullator er utviklet, designet og produsert i Norge. Produktet er i samsvar med forordning av medisinsk utstyr (EU) 2017/745. Det er testet og godkjent i henhold til EN ISO 11199-2:2021. Ved mottak av varen, vennligst sjekk produktet. Hvis du har spørsmål, må du kontakte hjelpemiddelbutikken eller forhandleren umiddelbart. Hvis du har problemer med å lese denne brukerhåndboken, er en elektronisk versjon tilgjengelig på [topromobility.com](http://topromobility.com).

### Tiltenkt bruk

TOPRO Pegasus skal gi støtte til brukere med redusert balanse og/eller redusert gangevne. Den er designet for å skyves, ikke trekkes. Det integrerte setet gir brukeren muligheten til å hvile om nødvendig. Den tiltenkte brukeren er voksen. Høyde- og vektbegrensninger gjelder. *Kontraindikasjoner: Produktet er ikke egnet for personer med lav styrke i armene, med svært dårlig balanse eller med betydelig kognitiv funksjonshemming. Produktet er designet og godkjent for innen- og utendørs bruk. Utendørs er rullatoren ment å være et hjelpemiddel for å gå på veier og stier. Den er ikke egnet i ulendt og/eller bratt terreng, heller ikke for trapper.*

For å bli kjent med rullatoren og lære å bruke den riktig, anbefales opplæring av en profesjonell.

## 0 De grå nummererte sirklene i denne brukerhåndboken refererer til den nummererte informasjonsgrafikken og illustrasjonene inne i omslaget

### 1 Bli kjent med TOPRO-produktet ditt

<b>A</b>	Håndtak	<b>I</b>	Bremsekabel
<b>B</b>	Bremsehendel	<b>J</b>	Sete med utløserstropp for foldemekanisme
<b>C</b>	Håndtaksrør	<b>K</b>	Låseklemme
<b>D</b>	Setestenger / Bærehåndtak	<b>L</b>	Låseratt for høydejustering
<b>E</b>	Sideramme	<b>M</b>	Handlekurv
<b>F</b>	Produktetikett	<b>N</b>	Kantavviser
<b>G</b>	Bremsekloss	<b>O</b>	Avtakbare bakhjul
<b>H</b>	Vippefunksjon		

### 2 Safety

Når du folder sammen/folder ut rullatoren, må du være oppmerksom slik at du ikke skader fingrene.

Vær oppmerksom på ikke å sette fingrene i åpne hull eller mellom stasjonære deler.

Pass på at låserattet for høydejustering for håndtakene er fastskrudd.

Når du står stille eller parkerer, må du kontrollere at parkeringsbremsene på begge sider er aktivert (A).

Ikke bruk rullatoren i trapper. Vær forsiktig når du passerer fortauskanter.

Kontroller bremsene før bruk hver gang, og at rullatoren låses i utfoldet stilling.

Kontroller rammene for skader før bruk.

Ikke bruk apparatet til å transportere tung last eller personer.

Vær oppmerksom på at noen deler av rullatoren kan føles varme eller kalde når de utsettes for ekstreme temperaturer.

Produktet må ikke modifiseres, da dette kan sette din sikkerhet i fare, og garantien vil bli ugyldig.

Før du setter deg på setet (C), må du kontrollere at parkeringsbremsene på begge sider er aktivert (A).

For å redusere risikoen for fall, må du ikke lene deg/bøye deg sidelengs eller

over til baksiden av rullatoren, mens du sitter på setet. Rullatoren må heller ikke vippes for mye sidelengs (D), for å unngå at den velter. Av samme grunn må poser etc. aldri henges på håndtakene.

For å gi riktig støtte og sikkerhet, gå rett og sørg for at rullatoren holdes så nær kroppen din som mulig (E). Gå mellom bakhjulene (F), ikke bak dem (G).

Vær oppmerksom på at rullatoren kan rulle raskere enn deg når du går nedoverbakke, noe som kan sette deg i fare for å falle. Aktiver kjørebrem-sene for å justere hastigheten (B).

Vær forsiktig når du bruker flagrende skjørt eller bukser, da de kan bli sittende fast i hjulene, noe som kan føre til fall. Bruk solid fottøy for å unngå skader.

Av sikkerhetsmessige årsaker er det forbudt å sitte på rullatoren under offentlig transport. Oppbevar rullatoren på en sikker måte, og sørg for at parkeringsbremsene på begge sider er aktivert (A).

Ikke bruk rullatoren på glatte eller isete overflater.

Hold rullatoren unna ild og varme gjenstander.

Ikke klatre på rullatoren.

### 3 Utfolding / Sammenfolding

**Utfolding:** Løsne låseklemmen som er plassert på setestengene (A). Trykk setestengene ned og utover. Siderammene glir fra hverandre. Trykk ned setestengene (B). Du vil høre en klikkelyd. Rullatoren er nå låst i åpen stilling.

**Sammenfolding:** Trekk i stroppen på setet (C) og trykk siderammene sammen. Lås klemmen (D) over setestengene.

**Bære rullatoren:** Rullatoren må ikke bæres av utløserstroppen eller bremsekablene. Fold rullatoren sammen som vist på illustrasjonen (E). Bær rullatoren etter setestengene (F) når rullatoren er sammenfoldet.

### 4 Håndtak

**Høydejustering:** Skru opp låserattet (A) (ca. 2 omdreininger). Juster håndtaksrøret (B) til en passende høyde, og trekk det deretter litt opp og ned (C) til du hører en klikkelyd. Trekk til låserattet (A). Juster begge håndtakene til samme høyde ved å sammenligne tallskalaen på hver side. Den lavest mulige posisjonen til håndtaket (der markeringene ikke er synlige) er ikke en brukerhøyde (det er kun for transport). *Det anbefales at håndtakene er satt i samme høyde som håndleddene når armene henger ved siden av kroppen.*

### 5 Bremses

Pass på at bremsene fungerer før hver tur. Hver bremsehendel (A) fungerer på hvert av bakhjulene. *Ikke kjør eller skyv rullatoren mens parkeringsbremsene er aktivert.*

**Parkeringsbremses:** Skyv begge bremsehendlene (A) nedover til de låses. Begge bakhjulene er nå låst. Klem begge bremsehendlene oppover for å deaktivere parkeringsbremsene.

**Kjørebremser:** Trekk begge bremsehendlene (B) oppover for å redusere hastigheten. *Må ikke brukes kontinuerlig mens rullatoren er i bevegelse.*

**Justering/kontroll:** Løsne mutteren (C). Stram bremsekabelen (D) med justerings-skruen (E). Juster bremseklossen (F) slik at avstanden til den indre trommelbremsen er ca. 1 mm, og stram deretter mutteren (C). Drei hjulet rundt for å kontrollere at bremseklossen ikke berører hjulet.

**Vedlikehold:** Rengjør bremseklossen (F) og bremседeкеlet (G) regelmessig. Kontroller/stram skruene (H). Hjulene og bremседelene kan byttes ut hvis de er utslitte eller skadet.

### 6 Avtakbare bakhjul

**Fjerning:** Løsne bremsehendelen. Trykk ned den røde knappen på navet (A) og skyv hjulet av akselen (B) mens du fortsatt trykker ned knappen.

**Montering:** Løsne bremsehendelen. Skyv hjulet på akselen (B). Skyv hjulet innover på akselen til det klikker på plass. Du vil høre et «klikk» når hjulet er på plass. Hjulet festes sikkert når akselen er helt synlig midt i navet (C). Trekk forsiktig I hjulet for å kontrollere at det er godt festet til akselen. Når det nye hjulet er påført rullatoren, må det kontrolleres at bremsene fungerer som de skal. Juster dem om nødvendig (se avsnittet *Bremses*).

### 7 Sete

Rullatoren har et trygt og praktisk nettingsete, som gir utsikt til bakken mens du går. Det kan lett tørkes av med en fuktig klut om nødvendig. Parkeringsbremsene må være aktivert før setet tas i bruk. Skyv begge bremsehendlene nedover (A) til de låses. Begge bakhjulene er nå låst. Sitt med ryggen mot kurven (B).

### 8 Kantavviser / Vippefunksjon

**Kantavviser:** Kantavviser (A), som er foran bakhjulene hindrer bakhjulene i å fange på hjørner, dørkarmen etc.

**Vippefunksjon:** For å bruke vippefunksjonen, bruk forsiden av foten og trykk ned på vippepedalen (B), som er ved siden av bakhjulet. Dette bidrar til å vippe rullatoren over terskler, kanter etc. Merk: Vær forsiktig når du går ned i kanter.

### 9 Handlebag

Handlebagen er designet for å bære gjenstander opp til totalt 10 kg.

**Montering:** Aktiver parkeringsbremsene (A). Plasser krokene i hullene på toppen på hver side av rammen (B). Drei krokene litt utover og skyv dem forsiktig ned (C). Du vil høre et «klikk» når krokene er riktig plassert. På baksiden av handlebagen er det to borrelåsstropper. For bedre vektfordeling anbefaler vi å feste dem rundt den nedre delen av krysset.

**Fjerning:** Aktiver parkeringsbremsene (A). Hvis de er festet, begynn med å løsne borrelåsstroppene. Ta deretter tak i den nedre delen av krokene, vri dem litt utover og skyv dem oppover for å løsne dem fra hullene (D).

### TOPRO ErgoGrip

TOPRO ErgoGrip tilbyr ergonomisk grep og støtteflater. Den øverste delen av håndtakene gir trygt grep når man reiser seg opp fra en stol eller sofa. Sørg alltid for at parkeringsbremsene er aktivert når du reiser deg opp fra sittende stilling. ErgoGrip tilbyr også ekstra støtte mens du står. Bruk alltid den tradisjonelle gripeposisjonen for enkel tilgang til kjørebremser mens du går.

### Transport

Rullatoren skal transporteres i sammenfoldet og låst posisjon (se avsnittet *Utfolding / Sammenfolding*). Påse at låseklemmen er på, slik at rullatoren ikke kan utfolde seg utilsiktet. Vær forsiktig når du legger rullatoren inn i et kjøretøy, og pass på at den er forsvarlig sikret.

### Lagring

Rullatoren bør oppbevares stående. Hvis den oppbevares utendørs, må den helst være under et tak/dekke for å beskytte den. Ikke la rullatoren stå uten tilsyn. Ikke legg tunge gjenstander oppå rullatoren under lagring.

### Renhold

Rullatoren kan rengjøres med en fuktig myk klut. Ved opphopning av gjørme og smuss kan en klut med mildt vaskemiddel brukes etterfulgt av skylling med lunkest vann. Ikke bruk høytrykksvaskere og unngå å skylle direkte mot kulelagre (i hjul og forgafler). Ikke bruk slipemidler eller dampvask. Handlebagen må tas av før rullatoren rengjøres. Handlebagen kan fjernes og vaskes forsiktig ved maks. 40 °C. Ikke sentrifuger den, for å unngå skade på sidepanelene. Husk å lukke bagen før vask. Tørk rullatoren med en myk klut.

### Desinfeksjon

Desinfeksjon må kun utføres av autorisert personell. Ta kontakt med din lokale forhandler eller hjelpemiddelbutikk. Under desinfeksjon må tilstrekkelig verneutstyr brukes, og instruksjonene fra desinfeksjonsmiddelprodusenten må følges. Overflaten på rullatoren skal rengjøres med en myk klut eller svamp og et godkjent kjemisk desinfeksjonsmiddel beregnet for bruk på akrylmaling. Vi fraråder desinfeksjonsmiddel som inneholder klor eller fenol. Ikke bruk varmedesinfeksjon. *Produsenten kan ikke holdes ansvarlig for feil eller skader som kan oppstå ved bruk av skadelig desinfeksjonsmiddel eller desinfeksjon utført av uautorisert personell.*

## Inspeksjon / Vedlikehold / Gjenbruk

Det anbefales at inspeksjon og vedlikehold utføres regelmessig (frekvensen bestemmes av hvordan og hvor ofte rullatoren brukes). Kontroller følgende elementer: Rør, ramme, skruer, håndtak, håndtaksrør, bremses, bremsedeler, hjul, sete og tilbehør. Dette gjelder også når rullatoren skal klargjøres for gjenbruk. Se detaljerte instruksjoner i denne bruksanvisningen om vedlikehold av bremses og rengjøring/desinfeksjon. Det anbefalte vedlikeholdet er ikke et krav, og det er ikke nødvendig med forebyggende vedlikehold, forutsatt at rullatoren brukes som den skal i henhold til denne brukerhåndboken.

## Materiale / Resirkulering

Rullatoren er laget av en akrylbelagt karbonramme, aluminiumsrør, plastkoblinger og materiale laget av plast og polyester. Alle ytre deler er korrosjonsbeskyttet. Det er kulelagre i alle hjul og gafler. De fleste rullatordeler kan resirkuleres. Kast rullatoren og emballasjen i henhold til gjeldende forskrifter i ditt land. Hvis du ønsker mer informasjon, vennligst kontakt offentlige myndigheter.

## Garanti

TOPRO Pegasus er garantert fri for feil og mangler i 7 år. Skader forårsaket av feil bruk eller deler som utsettes for naturlig slitasje (f.eks. bremsekloss, bremsekabel, hjul, bag, sete, håndtak, maling på ramme, hull/lokal skade på rammer) er unntatt fra garantien. For reparasjoner i garantiperioden, ta kontakt med din lokale hjelpemiddelbutikk eller forhandler. Garantien bortfaller hvis uautoriserte reservedeler eller tilbehør har blitt eller brukes på produktet. Produktets forventede levetid er beregnet til 10 år hvis det brukes på riktig måte i henhold til denne bruksanvisningen og dens sikkerhets- og vedlikeholdsinstruksjoner.

## 10 Produktetikett

- 1 - Fabrikant
- 2 - Maksimal brukervekt
- 3 - Maksimal lengde på rullator
- 4 - Maksimal bredde / høyde på rullator
- 5 - Medisinsk utstyr
- 6 - Se bruksanvisningen (blått ikon på den nye etiketten)
- 7 - Beregnet for innen- og utendørs bruk
- 8 - CE-merke (Dette produktet er i samsvar med forordningen om medisinsk utstyr (EU) 2017/745)
- 9 - Modellnavn
- 10 - Modellnummer
- 11 - Produksjonsdato
- 12 - Serienummer
- 13 - Varenummer for global handel
- 14 - GS1 DataMatrix

## Tilbehør

	TOPRO Item No.
Ryggstøtte med polstring, 67 cm	815270
Ryggstøtte med polstring, 75 cm	815272
Brett	814728
Antisklimatte for brett	814059
Krykkeholder	815236
Ringeklokke	814626
LED-lykt med klips og USB-kontakt	815260
Paraply med feste, svart	814068
Enhåndsbrems	814026
Veske bak, med glidelås	814046
Navneskilt	814024
Transportbag	814042
Piggdekk, 2 bakhjul	815331

Tilbehør montert på rullatoren kan påvirke stabiliteten, vi anbefaler derfor at du bruker dem med forsiktighet. Tilbehør kan bestilles separat for å gjøre det mulig å tilpasse TOPRO Pegasus til individuelle behov. Kontakt din hjelpemiddelbutikk, forhandler eller TOPRO for en oppdatert oversikt over tilgjengelig tilbehør eller besøk vår hjemmeside [topromobility.com](http://topromobility.com).

## Herzlichen Glückwunsch zur Wahl eines neuen TOPRO Rollators

Jeder TOPRO-Rollator wird in Norwegen entwickelt, entworfen und hergestellt. Das Produkt ist konform mit der Medizinprodukteverordnung (EU) 2017/745. Es ist nach EN ISO 11199-2:2021 geprüft und zugelassen. Bitte überprüfen Sie bei Erhalt der Ware Ihr Produkt. Bei Fragen wenden Sie sich bitte umgehend an Ihr Sanitätshaus oder Ihren Händler. Wenn Sie Probleme beim Lesen dieser Gebrauchsanleitung haben, finden Sie eine elektronische Version auf [topromobility.com](http://topromobility.com).

## Verwendungszweck

Der TOPRO Pegasus soll Benutzer mit eingeschränktem Gleichgewicht und/oder verminderter Gehfähigkeit unterstützen. Er ist so konzipiert, dass er geschoben und nicht gezogen wird. Der integrierte Sitz bietet dem Benutzer die Möglichkeit, sich bei Bedarf auszuruhen. Der vorgesehene Benutzer ist ein Erwachsener. Es gelten Größen- und Gewichtsbeschränkungen. *Kontraindikationen: Das Produkt ist nicht für Personen mit geringer Kraft in den Armen, mit sehr schlechtem Gleichgewicht oder mit erheblichen kognitiven Einschränkungen geeignet. Das Produkt ist für den Innen- und Außenbereich konzipiert und zugelassen. Im Freien soll der Rollator eine Hilfe beim Gehen auf Straßen und Wegen sein. Es ist nicht für unwegsames und/oder steiles Gelände geeignet, auch nicht für Treppen.*

Um den Rollator kennenzulernen und zu lernen, wie man ihn richtig benutzt, wird eine Schulung durch einen Fachmann empfohlen.

## 0 Die grauen nummerierten Kreise in dieser Bedienungsanleitung beziehen sich auf die nummerierten Informationsgrafiken und Abbildungen im Innenteil des Umschlags

## 1 Lernen Sie Ihr TOPRO Produkt kennen

- |                                   |  |
|-----------------------------------|--|
| <b>A</b> Handgriff                | <b>I</b> Bremskabel                              |
| <b>B</b> Bremshebel               | <b>J</b> Sitz mit Greifsnur für Klappmechanismus |
| <b>C</b> Handgriffrohr            | <b>K</b> Verriegelungsklemme                     |
| <b>D</b> Sitzstangen / Tragegriff | <b>L</b> Verschlussrad für den Griff             |
| <b>E</b> Seitenrahmen             | <b>M</b> Einkaufstasche                          |
| <b>F</b> Produktetikett           | <b>N</b> Kantenschutz                            |
| <b>G</b> Bremsblock               | <b>O</b> Abnehmbare Hinterräder                  |
| <b>H</b> Ankipphilfe              |  |

## 2 Sicherheit

Achten Sie beim Falten und Entfalten des Rollators darauf, dass Sie sich Ihre Finger nicht verletzen.

Achten Sie darauf, Ihre Finger nicht in offene Löcher oder zwischen feststehende Teile zu stecken.

Stellen Sie sicher, dass das Verschlussrad zur Höhenverstellung der Griffe fest verriegelt ist.

Wenn Sie stehen oder parken, stellen Sie sicher, dass sich die Feststellbremsen auf beiden Seiten in der verriegelten Position befinden (A).

Verwenden Sie den Rollator nicht auf Treppen. Seien Sie vorsichtig, wenn Sie Bordsteine überqueren etc.

Überprüfen Sie die Bremsen vor dem Gebrauch jedes Mal und ob der Rollator in entfalteter Position einrastet.

Überprüfen Sie die Rahmen vor dem Gebrauch auf Beschädigungen.

Verwenden Sie den Rollator nicht zum Transportieren von Personen oder schwerer Lasten.

Beachten Sie, dass sich einige Teile des Rollators heiß oder kalt anfühlen können, wenn sie extremen Temperaturen ausgesetzt sind.

Ändern Sie das Produkt nicht, da dies Ihre Sicherheit gefährden könnte und die Garantie erlischt.

Bevor Sie sich auf den Sitz (C) setzen, stellen Sie sicher, dass sich die Feststellbremsen auf beiden Seiten in der verriegelten Position befinden (A).

Um das Risiko eines Sturzes zu vermeiden, lehnen oder beugen Sie sich nicht seitlich oder zur Rückseite des Rollators, während Sie sich in sitzender Position befinden. Kippen Sie den Rollator nicht zu sehr zur Seite (D), um das Sturzrisiko zu vermeiden. Aus dem gleichen Grund dürfen Taschen etc. niemals an den Griffen aufgehängt werden.

Gehen Sie gerade und achten Sie darauf, dass der Rollator so nah wie möglich an Ihrem Körper gehalten wird (E), um den richtigen Halt und die Sicherheit zu gewährleisten. Gehen Sie zwischen den Hinterrädern (F), nicht hinter ihnen (G).

Beachten Sie, dass der Rollator beim Bergabgehen schneller rollen kann als Sie gehen, so dass die Gefahr besteht, dass Sie stürzen. Betätigen Sie die Fahrbremsen, um die Geschwindigkeit anzupassen (B).

Seien Sie vorsichtig, wenn Sie flatternde Röcke oder Hosen tragen, da sie sich in den Rädern fangen könnten, was zu Stürzen führen könnte. Tragen Sie festes Schuhwerk, um Verletzungen zu vermeiden.

Aus Sicherheitsgründen ist es verboten, in öffentlichen Verkehrsmitteln auf dem Rollator zu sitzen. Lagern Sie Ihren Rollator sicher und stellen Sie sicher, dass die Feststellbremsen auf beiden Seiten betätigt sind (A).

Verwenden Sie den Rollator nicht auf rutschigen oder vereisten Oberflächen.

Halten Sie den Rollator von Feuer und heißen Gegenständen fern.

Klettern Sie nicht auf den Rollator.



### 3 Entfalten / Falten

**Entfaltung:** Lösen Sie die an den Sitzstangen positionierte Verriegelungsklemme (A). Drücken Sie die Sitzstangen nach unten und außen. Die Seitenrahmen gleiten auseinander. Drücken Sie die Sitzstangen (B) nach unten. Sie hören ein Klickgeräusch. Der Rollator ist nun in seiner offenen Position arretiert.

**Falten:** Ziehen Sie die Greifsnur am Sitz (C) und drücken Sie die Seitenrahmen zusammen. Verriegeln Sie die Klemme (D) über den Sitzstangen.

**Tragen des Rollators:** Der Rollator darf nicht am an der Greifsnur oder den Bremskabeln getragen werden. Falten Sie den Rollator zusammen, wie auf der Abbildung (E) gezeigt. Tragen Sie den Rollator an den Sitzstangen (F), wenn er zusammengeklappt ist.

### 4 Handgriffe

**Höhenverstellung:** Schrauben Sie das Verschlussrad (A) auf (ca. 2 Umdrehungen). Stellen Sie das Handgriffrohr auf eine geeignete Höhe ein (B) und ziehen Sie es dann leicht auf und ab (C), bis Sie ein Klickgeräusch hören. Ziehen Sie das Verschlussrad (A) fest. Stellen Sie beide Handgriffe auf die gleiche Höhe ein, indem Sie die Zahlenskala auf jeder Seite vergleichen. Die niedrigstmögliche Position des Lenkers (wo keine Markierungen zu sehen sind) ist keine mögliche Nutzerhöhe (sie ist nur für den Transport bestimmt). *Es wird empfohlen, die Handgriffe auf die gleiche Höhe wie Ihre Handgelenke einzustellen, wenn Ihre Arme neben Ihrem Körper hängen.*

### 5 Bremsen

Stellen Sie vor jeder Fahrt sicher, dass die Bremsen funktionieren. Jeder Bremshebel (A) funktioniert an jedem der Hinterräder. *Fahren oder schieben Sie den Rollator nicht, während die Feststellbremsen aktiviert sind.*

**Feststellbremsen:** Drücken Sie beide Bremshebel (A) nach unten, bis sie blockieren. Beide Hinterräder sind nun gesperrt. Ziehen Sie beide Bremshebel nach oben, um die Feststellbremsen zu lösen.

**Fahrbremsen:** Ziehen Sie beide Bremshebel nach oben (B), um die Geschwindigkeit zu drosseln. *Nicht kontinuierlich verwenden, während der Rollator in Bewegung ist.*

**Einstellen / Prüfen:** Lösen Sie die Mutter (C). Ziehen Sie das Bremskabel (D) mit der Einstellschraube (E) fest. Stellen Sie den Bremsblock (F) so ein, dass der Abstand zur inneren Trommelbremse ungefähr 1 mm beträgt, und ziehen Sie dann die Mutter (C) fest. Drehen Sie das Rad, um sicherzustellen, dass der Bremsblock das Rad nicht berührt.

**Wartung:** Reinigen Sie den Bremsblock (F) und die Bremsabdeckung (G) regelmäßig. Kontrollieren/ziehen Sie die Schrauben nach (H). Die Räder und Bremsteile können ausgetauscht werden, wenn sie abgenutzt oder beschädigt sind.

### 6 Abnehmbare Hinterräder

**Entfernen:** Lösen Sie den Bremshebel. Drücken Sie den roten Knopf an der Nabe (A) nach unten und schieben Sie das Rad von der Achse (B), während Sie den Knopf weiterhin nach unten drücken.

**Befestigung:** Lösen Sie den Bremshebel. Schieben Sie das Rad auf die Achse (B). Drücken Sie das Rad so weit wie möglich nach innen auf die Achse, damit das Rad an der Achse einrastet. Sie hören ein «Klicken», wenn das Rad an Ort und Stelle ist. Das Rad ist sicher befestigt, wenn die Achse in der Mitte der Nabe (C) vollständig sichtbar ist. Ziehen Sie das Rad vorsichtig, um zu überprüfen, ob es sicher an der Achse befestigt ist. Nachdem das neue Rad am Rollator angebracht wurde, vergewissern Sie sich, dass die Bremsen ordnungsgemäß funktionieren. Stellen Sie sie bei Bedarf nach (*siehe Abschnitt Bremsen*).

### 7 Sitz

Der Rollator verfügt über einen sicheren und bequemen Netzsitz, durch den Sie beim Gehen einen freien Blick auf den Boden haben. Er kann bei Bedarf leicht mit einem Tuch abgewischt werden. Die Feststellbremsen müssen betätigt sein, bevor Sie den Sitz benutzen. Drücken Sie beide Bremshebel nach unten (A), bis sie einrasten. Beide Hinterräder sind nun gesperrt. Setzen Sie sich mit dem Rücken zur Einkaufstasche (B).

### 8 Kantenschutz / Kippfunktion

**Kantenschutz:** Der Kantenschutz (A), der sich vor den beiden Hinterrädern befindet, verhindert, dass sich die Hinterräder an Ecken, Türrahmen etc. verfangen.

**Kippfunktion:** Um die Kippfunktion zu nutzen, verwenden Sie die Vorderseite des Fußes und drücken Sie auf das Kippedal (B), das sich neben dem Hinterrad befindet. Dieses hilft, den Rollator über Schwellen, Kanten usw. zu neigen. Bitte beachten Sie: Seien Sie vorsichtig beim Absteigen zum Beispiel von Bordsteinen und beim Ankippen.

### 9 Einkaufstasche

Die Tasche ist für den Transport von Gegenständen bis zu einem Gesamtgewicht von 10 kg ausgelegt.

**Montage:** Aktivieren Sie die Feststellbremsen (A). Setzen Sie die Haken in die Öffnungen oben auf jeder Seite des Rahmens (B). Drehen Sie die Haken leicht nach außen und drücken Sie sie vorsichtig nach unten (C). Sie hören ein „Klick“-Geräusch, wenn die Haken richtig positioniert sind. Bitte beachten Sie, dass sich auf der Rückseite der Einkaufstasche zwei Klettbander befinden. Für eine bessere Gewichtsverteilung empfehlen wir, die Klettbander am unteren Teil der Kreuzstrebe zu befestigen.

**Entfernen:** Aktivieren Sie die Feststellbremsen (A). Falls vorhanden, lösen Sie zunächst die Klettbander am unteren Teil der Kreuzstrebe. Als nächstes greifen Sie den unteren Teil der Haken, drehen Sie sie leicht nach außen und drücken Sie sie nach oben, um sie aus den Öffnungen zu lösen (D).

### TOPRO ErgoGrip

TOPRO ErgoGrip bietet ergonomische Griff- und Auflageflächen. Die obere Vorderseite der Griffe bietet eine stabile Griffposition beim Aufstehen von einem Stuhl oder einer Couch. Stellen Sie immer sicher, dass die Feststellbremsen aktiviert sind, wenn Sie aus einer sitzenden Position aufstehen. Der ErgoGrip bietet auch im Stehen zusätzlichen Halt. Verwenden Sie immer die traditionelle Griffposition, um beim Gehen leichten Zugang zu den Fahrbremsen zu haben.



## Transport

Der Rollator sollte in der gefalteten und verriegelten Position transportiert werden (siehe Absatz Entfalten und Falten). Stellen Sie sicher, dass die Verriegelungsklemme eingerastet ist, damit sich der Rollator nicht unbeabsichtigt entfalten kann. Seien Sie vorsichtig, wenn Sie den Rollator in ein Fahrzeug laden, und achten Sie darauf, ihn zu sichern.

## Lagerung

Der Rollator sollte in aufrechter Position gelagert werden. Wenn er im Freien gelagert wird, muss er zum Schutz abgedeckt werden. Lassen Sie Ihren Rollator nicht unbeaufsichtigt. Legen Sie während der Lagerung keine schweren Gegenstände auf den Rollator.

## Reinigung

Der Rollator kann mit einem feuchten, nicht scheuernden Tuch gereinigt werden. Bei Schlamm- und Schmutzansammlungen kann ein Tuch mit einem milden Reinigungsmittel verwendet und anschließend mit lauwarmem Wasser nachgespült werden. Verwenden Sie keine Hochdruckreiniger und vermeiden Sie es, direkt gegen Kugellager (in Rädern und Vordergabeln) zu spülen. Verwenden Sie keine Scheuermittel oder Dampfstrahlgeräte. Die Tasche muss vor der Reinigung des Rollators entfernt werden. Die Tasche kann abgenommen und bei max. 40 °C schonend gewaschen werden. Nicht schleudern, um Schäden an den Seitenteilen zu vermeiden. Denken Sie daran, die Tasche vor dem Waschen zu schließen. Trocknen Sie den Rollator mit einem weichen, nicht scheuernden Tuch.

## Desinfektion

Die Desinfektion darf nur von autorisiertem Personal durchgeführt werden. Bitte wenden Sie sich an Ihren Händler oder Ihr Sanitätshaus vor Ort. Bei der Desinfektion ist eine ausreichende Schutzausrüstung zu tragen und die Anweisungen des Desinfektionsmittelherstellers sind zu befolgen. Die Oberfläche des Rollators sollte mit einem weichen Tuch oder Schwamm und einem zugelassenen chemischen Desinfektionsmittel gereinigt werden, das für die Verwendung auf Acrylfarben vorgesehen ist. Wir raten von chlor- und phenolhaltigen Desinfektionsmitteln ab. Verwenden Sie keine Hitzedesinfektion. *Der Hersteller kann nicht für Schäden oder Verletzungen haftbar gemacht werden, die durch die Verwendung schädlicher Desinfektionsmittel/-maßnahmen oder durch eine Desinfektion durch unbefugtes Personal auftreten können.*

## Inspektion / Wartung / Wiederverwendung

Es wird empfohlen, regelmäßig eine Inspektion und Wartung durchzuführen (die Häufigkeit hängt davon ab, wie und wie oft der Rollator verwendet wird). Überprüfen Sie die folgenden Punkte: Rahmen, Schrauben, Handgriffe, Handgriffrohre, Bremsen, Bremsteile, Räder, Sitz und Zubehör. Dies gilt auch, wenn der Rollator für die Wiederverwendung vorbereitet werden soll. Bitte beachten Sie die detaillierten Anweisungen in dieser Bedienungsanleitung zur Wartung der Bremsen und zur Reinigung / Desinfektion. Die empfohlene Wartung ist keine Anforderung, und es ist keine vorbeugende Wartung erforderlich, sofern der Rollator gemäß dieser Gebrauchsanweisung bestimmungsgemäß verwendet wird.

## Material / Wiederverwertung

Der Rollator besteht aus einem acrylbeschichteten Carbonrahmen, Aluminiumrohren, Kunststoffkupplungen und Material aus Kunststoff und Polyester. Alle Außenteile sind korrosionsgeschützt. In allen Rädern und Gabeln befinden sich Kugellager. Die meisten Rollatorteile können recycelt werden. Entsorgen Sie den Rollator und seine Verpackung gemäß den geltenden Vorschriften in Ihrem Land. Für weitere Informationen wenden Sie sich bitte an Ihre Behörden.

## Garantie

Für den TOPRO Pegasus wird eine Garantie von 7 Jahren auf Fehler- und Mängelfreiheit gewährt. Schäden, die durch unsachgemäßen Gebrauch entstanden sind oder Teile, die natürlichem Verschleiß unterliegen (z.B. Bremsblock, Bremskabel, Rad, Einkaufstasche, Sitz, Griff, Lackierung des Rahmens, Löcher/lokale Schäden am Rahmen) sind von der 7-Jahres-Garantie ausgenommen. Für Reparaturen während der Garantiezeit wenden Sie sich bitte an Ihr örtliches Sanitätshaus oder Ihren Händler. Die Garantie erlischt, wenn nicht autorisierte Ersatzteile oder Zubehörteile auf dem Produkt verwendet wurden oder werden. Die erwartete Lebensdauer des Produkts wird auf 10 Jahre geschätzt, wenn es gemäß dieser Gebrauchsanweisung und ihren Sicherheits- und Wartungsanweisungen korrekt verwendet wird.

## 10 Produktetikett

- 1 - Hersteller
- 2 - Maximales Benutzergewicht
- 3 - Maximale Länge des Rollators
- 4 - Maximale Breite / Höhe des Rollators
- 5 - Medizinisches Gerät
- 6 - Siehe Gebrauchsanweisung (blaues Symbol auf dem neuen Etikett)
- 7 - Für den Innen- und Außenbereich bestimmt
- 8 - CE-Kennzeichnung (Dieses Produkt ist konform mit der Medizinprodukteverordnung (EU) 2017/745)
- 9 - Modellbezeichnung
- 10 - Modellnummer
- 11 - Herstellungsdatum
- 12 - Seriennummer
- 13 - Globale Handelsartikelnummer (GTIN)
- 14 - GS1 DataMatrix

**Zubehör**

	TOPRO Item No.
Rückengurt mit Polsterung, 67 cm	<b>815270</b>
Rückengurt mit Polsterung, 75 cm	<b>815272</b>
Tablett	<b>814728</b>
Antirutschmatte für Tablett	<b>814059</b>
Stockhalter	<b>815236</b>
Klingel	<b>814626</b>
LED-Lampe mit Clip und USB-Stecker	<b>815260</b>
Schirm mit Halterung, schwarz	<b>814068</b>
Einhand-Simultanbremse	<b>814026</b>
Gepäcktasche mit Reißverschluss	<b>814046</b>
Namensschild	<b>814024</b>
Transporttasche	<b>814042</b>
Spikeräder, Paar Hinterräder	<b>815331</b>

Zubehör, das auf dem Rollator montiert ist, kann die Stabilität beeinflussen, wir empfehlen Ihnen daher, es mit Vorsicht zu verwenden. Zubehör kann separat bestellt werden, um den TOPRO Pegasus an individuelle Bedürfnisse anzupassen. Kontaktieren Sie Ihr Sanitätshaus, Ihren Händler oder TOPRO für eine aktualisierte Übersicht über verfügbares Zubehör oder besuchen Sie unsere Homepage [topromobility.com](http://topromobility.com).

## Gefeliciteerd met uw keuze voor een nieuwe TOPRO-rollator

Elk TOPRO-rollator wordt ontwikkeld, ontworpen en geproduceerd in Noorwegen. Het product voldoet aan de Medical Device Regulation (EU) 2017/745. Het is getest en goedgekeurd volgens EN ISO 11199-2:2021. Controleer bij ontvangst van de goederen uw product. Als u vragen heeft, neem dan onmiddellijk contact op met uw mobiliteitswinkel of dealer. Als u problemen ondervindt bij het lezen van deze gebruikershandleiding, is een digitale versie beschikbaar op [topromobility.com](http://topromobility.com).

## Beoogd gebruik

De TOPRO Pegasus biedt ondersteuning aan gebruikers met een verminderd evenwicht en/of verminderd loopvermogen. Het is ontworpen om te worden geduwd, niet getrokken. Het geïntegreerde zitje biedt de gebruiker de mogelijkheid om te rusten indien nodig. De beoogde gebruiker is een volwassene. Er gelden lengte- en gewichtsbependingen. *Contra-indicaties: Het product is niet geschikt voor personen met een weinig kracht in de armen, met een zeer slechte balans of met aanzienlijke cognitieve beperkingen. Het product is ontworpen en goedgekeurd voor gebruik binnen en buiten. Buiten is de rollator bedoeld als hulpmiddel bij het lopen op wegen en paden. Het is niet geschikt in ruw en/of steil terrein, noch voor trappen.*

Om de rollator te leren kennen en te leren hoe deze op de juiste manier te gebruiken, wordt training door een professional aanbevolen.

## 0 De grijs genummerde cirkels in deze gebruikershandleiding verwijzen naar de genummerde informatieafbeelding en illustraties in de omslag

## 1 Maak kennis met uw TOPRO-product

- |  |                                  |
|--|----------------------------------|
| <b>A</b> Handvat   | <b>I</b> Remkabel                |
| <b>B</b> Remhendel                                       | <b>J</b> Zitje met opklapkoord   |
| <b>C</b> Handvatbuis                                     | <b>K</b> Fixatieklem             |
| <b>D</b> Bevestigingsstang voor zitje / Transporthandvat | <b>L</b> Fixatieknop             |
| <b>E</b> Zijframe  | <b>M</b> Boodschappentas         |
| <b>F</b> Productlabel                                    | <b>N</b> Stootrand               |
| <b>G</b> Remblok   | <b>O</b> Afneembare achterwielen |
| <b>H</b> Drempelhulp                                     |                                  |

## 2 Veiligheid

Let er bij het opvouwen/uitvouwen van de rollator op dat u uw vingers niet bezeert.

Let op dat u uw vingers niet in open gaten of tussen stilstaande delen steekt.

Zorg ervoor dat de fixatieknoppen voor de in hoogte verstelbare handgrepen goed zijn aangedraaid.

Gebruik bij stilstaan of geparkeerd altijd de parkeerrem aan beide zijden (A).

Gebruik de rollator niet op trappen. Wees voorzichtig bij het overbruggen van drempels etc.

Controleer de remmen voor elk gebruik en controleer of de rollator in uitgevouwen positie is vergrendeld.

Controleer frames voor gebruik op beschadigingen.

Gebruik de rollator niet om zware lasten of personen te vervoeren.

Houd er rekening mee dat sommige delen van de rollator warm of koud kunnen aanvoelen bij blootstelling aan extreme temperaturen.

Wijzig het product niet, omdat dit uw veiligheid in gevaar kan brengen en de garantie hierbij vervalt.

Voordat u op het zitje (C) gaat zitten, moet u ervoor zorgen dat de parkeerremmen aan beide zijden in vergrendelde stand (A) staan.

Om het risico van vallen te voorkomen, mag u niet zijwaarts of voorover leunen of buigen naar de achterkant van de rollator terwijl u in de zittende positie zit. Kantel de rollator niet te veel zijwaarts (D), om het risico op vallen te voorkomen. Om dezelfde reden mogen tassen e.d. nooit aan de handvatten worden gehangen.

Om de juiste ondersteuning en veiligheid te geven, loopt u rechtop en zorgt u ervoor dat de rollator zo dicht mogelijk bij uw lichaam wordt gehouden (E). Loop tussen de achterwielen (F), niet erachter (G).

Wees ervan bewust dat de rollator bergafwaarts sneller dan u kan gaan, waardoor u het risico loopt te vallen. Activeer de remmen om de snelheid (B) aan te passen.

Zeer lange of wijde kleding kan klem raken in de wielen van de rollator, wat kan leiden tot vallen. Het wordt daarom afgeraden zulke kleding te dragen tijdens het gebruik van de rollator. Draag stevig schoeisel om blessures te voorkomen.

Wanneer u gebruik maakt van het openbaar vervoer wordt het ernstig afgeraden om op het zitje van de rollator te gaan zitten. Zet uw rollator vast door de parkeerremmen aan beide zijden te activeren (A).

Gebruik de rollator niet op gladde of ijzige oppervlakten.

Houd de rollator uit de buurt van vuur en hete voorwerpen.

Klim niet op de rollator.

### 3 Uitvouwen / Vouwen

**Uitvouwen:** Maak de fixatieklem los die zich op de bevestigingsstangen voor het zitje/netje (A) bevindt. Druk de bevestigingsstangen naar beneden en naar buiten. De zijframes schuiven uit elkaar. Druk de bevestigingsstangen (B) naar beneden. U hoort een klikkend geluid. De rollator zit nu vast in zijn open stand.

**Vouwen:** Trek aan het trekkoord op de zitting (C) en druk de zijframes tegen elkaar. Vergrendel de fixatieklem (D) over de bevestigingsstangen.

**Het dragen van de rollator:** De rollator mag niet worden gedragen bij de zitting of de remkabels. Vouw de rollator samen zoals weergegeven op de afbeelding (E). Draag de rollator bij de bevestigingsstangen voor het zitje/netje (F) wanneer neergeklapt.

### 4 Duwhandvatten

**Hoogteverstelling:** Draai de fixatieknop (A) los (ca. 2 omwentelingen). Stel de duwstangen (B) in op een geschikte hoogte en trek ze vervolgens iets op en neer (C) totdat u een klikkend geluid hoort. Draai de fixatieknop (A) opnieuw vast. Stel beide duwhandvatten op dezelfde hoogte in door de getallenschaal aan elke kant te vergelijken. De laagst mogelijke positie van de duwstang (waar de markeringen niet zichtbaar zijn) is geen gebruikershoogte (het is alleen voor transport). *Het wordt aanbevolen dat de duwstangen op dezelfde hoogte zijn ingesteld als uw polsen wanneer uw armen naast uw lichaam hangen.*

### 5 Remmen

Zorg ervoor dat de remmen werken voor elke gebruik van de rollator. Elk achterwiel werkt met zijn eigen remhendel (A). *Rijd of duw de rollator niet terwijl de parkeerremmen zijn geactiveerd!*

**Parkeerremmen:** Duw beide remhendels naar beneden (A) totdat ze vergrendelen. Beide achterwielen zijn nu vergrendeld. Knijp beide remhendels omhoog om de parkeerremmen los te laten.

**Remmen:** Trek beide remhendels omhoog (B) om de snelheid te verminderen. Gebruik de remmen niet voortdurend terwijl u zich met de rollator voortbeweegt. Dit veroorzaakt ongewenste slijtage aan de wielen.

**Afstellen / controleren:** Maak de moer los (C). Draai de remkabel (D) vast met de stelschroef (E). Stel de remblok (F) zo dicht mogelijk bij de trommel, ongeveer 1

mm en draai vervolgens de moer (C) vast. Laat het wiel draaien om te controleren dat de remblok het wiel niet raakt.

**Onderhoud:** Reinig het remblok (F) en het remdeksel (G) regelmatig. Bedien/draai de schroeven aan (H). De wielen en remonderdelen kunnen worden vervangen als ze versleten of beschadigd zijn.

### 6 Afneembare achterwielen

**Verwijderen:** Maak de remhendel los. Druk op de rode knop bij de naaf (A) en schuif het wiel van de as (B) terwijl u de knop ingedrukt houdt.

**Bevestigen:** Maak de remhendel los. Schuif het wiel op de as (B). Duw het wiel zo ver mogelijk naar binnen op de as om het wiel op de as te klikken. U hoort een "klik" als het wiel op zijn plaats zit. Het wiel zit stevig vast als de as in het midden van de naaf volledig zichtbaar is (C). Trek voorzichtig aan het wiel om te controleren of het stevig aan de as is bevestigd.

Controleer nadat de wielen weer op de rollator zijn aangebracht of de remmen goed werken. Stel indien nodig de remmen opnieuw af (*zie sectie Remmen*).

### 7 Zitting

De rollator heeft een veilige en handige doorkijkzitting, waardoor u tijdens het lopen zicht op de grond heeft. Het zitje kan gemakkelijk worden gereinigd met een doek indien nodig. De parkeerremmen moeten erop staan voordat u op het zitje gaat zitten. Duw beide remhendels naar beneden (A) totdat ze vergrendelen. Beide achterwielen zijn nu vergrendeld. Ga met uw rug naar de boodschappentas (B) zitten.

### 8 Stootrand / Drempelhulpfunctie

**Stootrand:** De stootrand (A), die zich voor de achterwielen bevinden, bieden bescherming tegen uitstekende randen, deurstijlen enz.

**Drempelhulp functie:** Om de drempelhulp functie te gebruiken, gebruikt u de voorkant van de voet en drukt u op de drempelhulp (B), die zich naast het achterwiel bevindt. Deze helpt u om met de rollator drempels, stoepranden etc. te trotseren. Let op: Wees voorzichtig bij het op- en afgaan van stoepranden en andere kleine obstakels.

### 9 Boodschappentas

De tas is belastbaar tot 10 kg.

**Montage:** Activeer de parkeerremmen (A). Plaats de haken in de gatenposities aan weerszijden van het frame (B). Draai de haken iets naar buiten en duw ze zachtjes naar beneden (C). U hoort een "klik"-geluid wanneer de haken correct zijn geplaatst. Houd er rekening mee dat er aan de achterkant van de boodschappentas twee klittenbanden zitten. Voor een betere gewichtsverdeling adviseren wij de klittenbanden vast te zetten aan het onderste deel van de dwarsstang.

**Verwijderen:** Activeer de parkeerremmen (A). Indien bevestigd, begin dan met het losmaken van de klittenbanden aan de onderkant van de dwarsbalk. Pak vervolgens het onderste deel van de haken vast, draai ze iets naar buiten en duw ze omhoog om ze los te maken van de gaten (D).

### TOPRO ErgoGrip

TOPRO Ergo Grip biedt een ergonomische grip en ondersteuning. De handgreep aan de voorkant van het handvat zorgt ervoor dat u een betere houvast heeft bij het opstaan vanuit een stoel of bank. Zorg er altijd voor dat de rollator op de parkeerrem staat bij het opstaan. De Ergogrip biedt ook extra steun als u bij de rollator staat. Wanneer u de rollator duwt dienen uw handen te allen tijde op de handvatten te rusten, zodat u snel bij de remmen kunt als dat nodig is.

### Vervoer

De rollator moet in de gevouwen en vergrendelde positie worden vervoerd (*zie paragraaf Uitvouwen / Vouwen*). Zorg ervoor dat de fixatieklem vast zit, zodat de rollator niet onverwachts kan uitvouwen. Wees voorzichtig bij het laden van de rollator in een voertuig en let erop dat de rollator goed vergrendeld is.

### Opslag

De rollator moet rechtop worden opgeborgen. Als het buiten wordt opgeslagen, moet het onder een afdekking zijn om het te beschermen. Laat uw rollator niet onbeheerd achter. Leg geen zware voorwerpen op de rollator tijdens het opbergen.

## Reiniging

De rollator kan worden gereinigd met een vochtige, niet-schurende doek. In geval van modder- en vuilophoping kan een doek met een mild schoonmaakmiddel worden gebruikt, vervolgens spoelen met lauw water. Gebruik geen hogedrukreinigers en vermijd spoelen direct tegen kogellagers (in wielen en voorvorken). Gebruik geen schuurmiddelen of stoomreinigers. De tas moet worden losgemaakt alvorens de rollator schoon te maken. De tas kan worden verwijderd en voorzichtig worden gewassen op maximaal 40 °C. Niet centrifugeren, om schade aan de zijpanelen te voorkomen. Vergeet niet om de tas voor het wassen te sluiten. Droog de rollator met een zachte, niet-schurende doek.

## Desinfecteren

Desinfecteren mag alleen worden uitgevoerd door daartoe bevoegd personeel en middels het dragen van voldoende beschermende uitrusting. Neem contact op met uw lokale dealer. Tijdens de desinfectie moeten de instructies van de fabrikant van het ontsmettingsmiddel worden opgevolgd. Het oppervlak van de rollator moet worden gereinigd met een zachte doek of spons en een goedgekeurd chemisch ontsmettingsmiddel dat bedoeld is voor gebruik op acrylverf. Wij raden ontsmetting af met chloor of fenol. Gebruik geen warmte/stoom desinfectie. *De fabrikant kan niet aansprakelijk gesteld worden indien er schade ontstaat door verkeerd reinigen, desinfecteren of reiniging door onbevoegd personeel.*

## Inspectie / Onderhoud / Hergebruik

Het wordt aanbevolen om regelmatig inspectie en onderhoud uit te voeren (frequentie wordt bepaald door hoe en hoe vaak de rollator wordt gebruikt). Controleer de volgende items: Frame, schroeven, handgrepen, handvatbuizen, remmen, remonderdelen, wielen, zitje en accessoires. Dit geldt ook wanneer de rollator klaargemaakt moet worden voor hergebruik. Zie de gedetailleerde instructies in deze gebruikershandleiding over onderhoud van remmen en reiniging/desinfectie. Het aanbevolen onderhoud is geen vereiste en er is geen preventief onderhoud vereist, op voorwaarde dat de rollator wordt gebruikt zoals bedoeld volgens deze gebruikershandleiding.

## Materiaal / Recycling

De rollator is gemaakt van een acryl gecoat carbon, aluminium, kunststof en polyester. Alle buitenste delen zijn beschermd tegen corrosie. Er bevinden zich kogellagers in alle wielen en vorken. De meeste rollatoronderdelen kunnen worden gerecycled. Voer de rollator en de verpakking af volgens de geldende voorschriften in uw land. Neem voor meer informatie contact op met uw gemeente.

## Garantie

TOPRO Pegasus is gegarandeerd vrij van fouten en defecten gedurende 7 jaar. Schade veroorzaakt door onjuist gebruik of onderdelen die zijn blootgesteld aan natuurlijke slijtage (bijv. remblok, remkabel, wiel, boodschappentas, zitje, handvat, lak, deuken/ krasjes aan het frame) zijn vrijgesteld van de garantie van 7 jaar. Neem voor reparaties tijdens de garantieperiode contact op met uw lokale mobiliteitswinkel of dealer. De garantie vervalt als er ongeautoriseerde reserveonderdelen of accessoires op het product zijn of worden gebruikt. De verwachte levensduur van het product wordt geschat op 10 jaar als het op de juiste manier wordt gebruikt volgens deze gebruikershandleiding en de veiligheids- en onderhoudsinstructies.

## 10 Productlabel

- 1 - Fabrikant
- 2 - Maximaal gebruikersgewicht
- 3 - Maximale lengte van de rollator
- 4 - Maximale breedte / hoogte van de rollator
- 5 - Medisch hulpmiddel
- 6 - Raadpleeg de gebruiksaanwijzing (blauw icoon op het nieuwe label)
- 7 - Bedoeld voor gebruik binnen en buiten
- 8 - CE-markering (Dit product voldoet aan richtlijn medische hulpmiddelen (EU) 2017/745)
- 9 - Modelnaam
- 10 - Modelnummer
- 11 - Datum van vervaardiging
- 12 - Serienummer
- 13 - Nummer van de wereldhandelspost
- 14 - GS1 DataMatrix

## Accessoires

	TOPRO Item No.
Rugsteun inclusief polstering, 67 cm	<b>815270</b>
Rugsteun inclusief polstering, 75 cm	<b>815272</b>
Dienblad	<b>814728</b>
Antislipmat voor dienblad	<b>814059</b>
Stokhouder	<b>815236</b>
Bel	<b>814626</b>
LED-lampje met klip en USB-contact	<b>815260</b>
Paraplu met bevestiging, zwart	<b>814068</b>
Eenzijdige beremming	<b>814026</b>
Tas met rits	<b>814046</b>
Naamplaatje	<b>814024</b>
Transporttas	<b>814042</b>
High profile soft achterwielen met spikes, paar	<b>815331</b>

Accessoires gemonteerd op de rollator kunnen de stabiliteit beïnvloeden, daarom raden wij u aan om ze met zorg te gebruiken. Accessoires kunnen afzonderlijk worden besteld om TOPRO Pegasus aan te passen aan individuele behoeften. Neem contact op met uw mobiliteitswinkel, dealer of TOPRO voor een bijgewerkt overzicht van beschikbare accessoires of bezoek onze homepage [topromobility.com](https://topromobility.com).



## Grattis till ditt val av ny TOPRO rollator

Varje TOPRO-rollator är utvecklad, konstruerad och tillverkad i Norge. Produkten uppfyller förordningen om medicintekniska produkter (EU) 2017/745. Den är testad och godkänd enligt EN ISO 11199-2:2021. Kontrollera din produkt vid mottagandet av varorna. Om du har några frågor, vänligen kontakta din hjälpmedelscentral eller återförsäljare omedelbart. Om du har problem med att läsa den här bruksanvisningen finns en elektronisk version tillgänglig på [topromobility.com](http://topromobility.com).

## Avsedd användning

TOPRO Pegasus ska ge stöd till användare med nedsatt balans och/eller nedsatt gångförmåga. Den är utformad för att skjutas framåt, inte dras. Den integrerade sitsen ger användaren möjlighet att vila vid behov. Rollatorn är avsedd för vuxna. Längd- och viktbegränsningar gäller. *Kontraindikationer: Produkten är inte lämplig för personer med svag styrka i armarna, med mycket dålig balans eller med betydande kognitiva funktionshinder. Produkten är designad och godkänd för både inomhus- och utomhusbruk. Utomhus är rollatorn avsedd att vara ett hjälpmedel för promenader på vägar och stigar. Den är inte lämplig i grov och/eller brant terräng, inte heller för trappor.*

För att lära känna rollatorn och lära sig att använda den på rätt sätt rekommenderas en introduktion av din fackhandlare/hjälpmiddelscentral.

## 0 De grå numrerade cirkelarna i denna bruksanvisning refererar till numrerade illustrationer inuti omslaget

## 1 Lär känna din TOPRO-produkt

- |                                   |  |
|-----------------------------------|--|
| <b>A</b> Handtag                  | <b>I</b> Bromsvajer                    |
| <b>B</b> Bromshandtag             | <b>J</b> Sits med rem för fällmekanism |
| <b>C</b> Handtagsrör              | <b>K</b> Låsklämma                     |
| <b>D</b> Sitsstänger / Bärhandtag | <b>L</b> Låsratt för handtaget         |
| <b>E</b> Sidoram                  | <b>M</b> Shoppingväska                 |
| <b>F</b> Produktetikett           | <b>N</b> Kantskydd                     |
| <b>G</b> Bromskloss               | <b>O</b> Avtagbara bakhjul             |
| <b>H</b> Steghjälp                |  |

## 2 Säkerhet

När du fäller ut/ihop rollatorn, var försiktig så att du inte skadar fingrarna.

Var försiktig så att du inte fastnar med fingrarna i öppna hål eller mellan stationära delar.

Se till att låsratten för höjdjustering av handtagen är ordentligt åtdragen.

Aktivera alltid parkeringsbromsen (A), på båda sidor, vid stopp eller parkering.

Använd inte rollatorn i trappor. Var försiktig när du passerar trottoarkanter etc.

Kontrollera bromsarna före varje användning och att rollatorn låser sig i utfällt läge.

Kontrollera ramarna för skador före användning.

Använd inte rollatorn för att transportera tung last eller personer.

Tänk på att vissa delar av rollatorn kan kännas varma eller kalla när de utsätts för extrema temperaturer.

Modifiera inte produkten eftersom detta kan riskera din säkerhet och garantin blir ogiltig.

Innan du sätter dig på sitsen (C), se till att parkeringsbromsarna på båda sidor är aktiverade (A).

För att minska risken för fall ska du inte luta dig eller böja dig i sidled eller över rollatorns baksida medan du sitter. Luta inte rollatorn för mycket i sidled (D) för att undvika risken för fall. Av samma anledning får påsar etc. aldrig hängas på handtagen.

För rätt stöd och säkerhet, gå upprätt och se till att rollatorn hålls så nära kroppen som möjligt (E). Gå mellan bakhjulen (F), inte bakom dem (G).

Tänk på att rollatorn kan rulla snabbare än du när du går i nedförsbacke, vilket kan göra att du riskerar att falla. Aktivera körbromsarna för att justera hastigheten (B).

Var försiktig när du bär fladdrande kjolar eller byxor eftersom de kan fastna i hjulen, vilket kan leda till fall. Använd robusta skor för att undvika skador.

Av säkerhetsskäl är det förbjudet att sitta på rollatorn under resor med kollektivtrafik. Förvara rollatorn på ett säkert sätt och se till att parkeringsbromsarna på båda sidor är aktiverade (A).

Använd inte rollatorn på hala eller isiga ytor.

Håll rollatorn borta från eld och heta föremål.

Klättra inte på rollatorn.

### 3 Utfällning / Hopfällning

**Utfällning:** Lossa låsklämman som är placerad på sitsstängerna (A). Tryck ner och ut sitsstängerna. Sidoramarna glider isär. Tryck ner sitsstängerna (B) tills du hör ett klickljud. Rollatorn är nu låst i utfällt läge.

**Hopfällning:** Dra i remmen på sitsen (C) och tryck ihop sidoramarna. Lås klämman (D) över sitsstängerna.

**Bära rollatorn:** Rollatorn får inte bäras i sitsremmen eller bromsvajrarna. Fäll ihop rollatorn enligt illustrationen (E). Bär rollatorn i sitsstängerna (F) när rollatorn är hopfälld.

### 4 Handtag

**Höjdjustering:** Lossa låsratten (A) (ca 2 varv). Justera handtagsröret (B) till en lämplig höjd och dra det sedan något upp och ner (C) tills du hör ett klickljud. Dra åt låsratten (A). Justera båda handtagen till samma höjd genom att jämföra talskalan på varje sida. Handtagets lägsta möjliga läge (där markeringarna syns) är inte en användarhöjd (den är endast för transport). *Vi rekommenderar att handtagen är inställda på samma höjd som handlederna när armarna hänger rakt ner längs kroppen.*

### 5 Bromsar

Se till att bromsarna fungerar före varje färd. Vardera bromshandtag (A) fungerar på vart och ett av bakhjulen. *Rollatorn ska inte köras eller skjutas framåt när parkeringsbromsarna är aktiverade.*

**Parkeringsbromsar:** Tryck båda bromshandtagen (A) nedåt tills de låser sig. Båda bakhjulen är nu låsta. Dra båda bromshandtagen uppåt för att lossa parkeringsbromsarna.

**Körbromsar:** Dra båda bromshandtagen (B) uppåt för att sänka hastigheten. *Använd inte kontinuerligt när rollatorn är i rörelse.*

**Justering /kontroll:** Lossa muttern (C). Dra åt bromsvajern (D) med justeringskruven (E). Justera bromsklossen (F) så avståndet till den inre bromstrumman är ca 1 mm och dra sedan åt muttern (C). Snurra på hjulet för att kontrollera att bromsklossen inte vidrör hjulet.

**Underhåll:** Rengör bromsklossen (F) och bromsskyddet (G) regelbundet. Kontrollera/dra åt skruvarna (H). Hjulen och bromsdelarna kan bytas ut om de är slitna eller skadade.

### 6 Avtagbara bakhjul

**Borttagning:** Frigör bromsarna. Tryck ner den röda knappen på navet (A) och dra av hjulet från axeln (B) medan du trycker ner knappen.

**Montering:** Frigör bromsarna. Montera hjulet på axeln (B). Dra hjulet så långt som möjligt inåt på axeln för att få hjulet att snäppa på axeln. Du kommer att höra ett "klick" när hjulet är på plats. Hjulet är ordentligt fastsatt när axeln är helt synlig i mitten av navet (C). Dra försiktigt i hjulet för att kontrollera att det är ordentligt fastsatt på axeln. Se till att bromsarna fungerar korrekt när det nya hjulet har monterats på rollatorn. Justera dem om det behövs (*se avsnittet Bromsar*).

### 7 Sits

Rollatorn har en säker och bekväm nätsits, genom vilken du har utsikt mot marken medan du går. Den kan enkelt torkas av med en trasa om det behövs. Parkeringsbromsarna måste aktiveras innan du använder sitsen. Tryck båda bromshandtagen nedåt (A) tills de låser. Båda bakhjulen är nu låsta. Sitt med ryggen mot väskan (B).

### 8 Kantskydd / Steghjälp

**Kantskydd:** Kantskydden (A), som är framför bakhjulen, hindrar bakhjulen från att fastna i hörn, dörrkarmar etc.

**Steghjälp:** För att använda steghjälpen placerar du främre delen av foten på pedalen (B), som befinner sig bredvid bakhjulet, och pressar pedalen nedåt. Detta hjälper till att luta rollatorn över trösklar, kanter etc. Observera: Var försiktig när du går ned för trottoarkanter.

### 9 Shoppingväska

Väskan är konstruerad för att bära föremål upp till totalt 10 kg.

**Montering:** Aktivera parkeringsbromsarna (A). Placera krokarna i hålen på ovansidan av bägge sidoramarna (B). Vrid krokarna något utåt och tryck dem försiktigt nedåt (C). Du kommer att höra ett klickljud när krokarna är korrekt placerade. Observera att shoppingväskan har två kardborreband på baksidan. För en bättre viktfordelning rekommenderar vi att du använder dessa genom att fästa dem runt tvärstångens nedre del.

**Borttagning:** Aktivera parkeringsbromsarna (A). Om kardborrebanden är fastsatta, börja med att lossa dessa från den nedre delen av tvärstången. Ta sedan tag i de nedre delarna av krokarna, vrid dem något utåt och tryck dem uppåt för att lossa dem från hålen (D).

### TOPRO ErgoGrip

TOPRO ErgoGrip erbjuder ergonomiska grepp och stödytor. Handtagens övre framsida ger en stadig greppposition när du reser dig upp från en stol eller soffa. Se alltid till att parkeringsbromsarna är aktiverade när reser dig upp från sittande läge. ErgoGrip erbjuder också extra stöd när du står upp. Använd alltid det traditionella greppläget när du går, för enkel åtkomst till körbromsarna.

### Transport

Rollatorn ska transporteras i hopfäldt och låst läge (*se avsnittet Utfällning/Hopfällning*). Se till att låsklämman är fastsatt, så att rollatorn inte kan fällas ut oavsiktligt. Var försiktig när du lastar in rollatorn i ett fordon och var uppmärksam på att säkra den.

### Lagring

Rollatorn ska förvaras stående. Om den förvaras utomhus bör den täckas över för att skyddas. Lämna inte rollatorn utan uppsikt. Lagg inte tunga föremål ovanpå rollatorn under förvaring.

### Rengöring

Rollatorn kan rengöras med en fuktig mjuk trasa. Vid ansamling av lera och smuts kan en trasa med ett mildt tvättnedel användas följt av sköljning med ljummet vatten. Använd inte högtryckstvättar och undvik att spola direkt mot kullager (i hjul och framgafflar). Använd inte slipmedel eller ångtvätt. Torka rollatorn med en mjuk trasa. Väskan måste lossas innan rollatorn rengörs. Väskan kan tas bort och tvättas försiktigt vid max 40 °C. Centrifugera den inte för att undvika skador på sidopanelerna. Kom ihåg att stänga väskan innan du tvättar den.

## Desinfektion

Desinfektion får endast utföras av behörig personal. Kontakta din lokala återförsäljare eller din hjälpmedelscentral. Under desinfektion måste tillräcklig skyddsutrustning bäras och instruktionerna från desinfektionsmedelstillverkaren måste följas. Rollatorns yta ska rengöras med en mjuk trasa eller svamp och ett godkänt kemiskt desinfektionsmedel avsett att användas på akrylfärg. Vi avråder från desinfektionsmedel som innehåller klor eller fenol. Använd inte värmedesinfektion. *Tillverkaren kan inte hållas ansvarig för eventuella skador som kan uppstå vid användning av skadligt desinfektionsmedel eller desinfektion som utförs av obehörig personal.*

## Inspektion / Underhåll / Återanvändning

Det rekommenderas att inspektion och underhåll utförs regelbundet (frekvensen bestäms av hur och hur ofta rollatorn används). Kontrollera följande: Ram, skruvar, handtag, handtagsrör, bromsar, bromsdelar, hjul, sits och tillbehör. Detta gäller även när rollatorn ska förberedas för återanvändning. Se detaljerade instruktioner i denna bruksanvisning om underhåll av bromsar och rengöring/desinfektion. Rekommenderat underhåll är inte ett krav och inget förebyggande underhåll krävs förutsatt att rollatorn används som avsett enligt denna bruksanvisning.

## Material / Återvinning

Rollatorn är tillverkad av akrylbelagd kolfiberram, aluminiumrör, plastkopplingar och material av plast och polyester. Alla yttre delar är korrosions-skyddade. Det finns kullager i alla hjul och gafflar. De flesta rollatordelar kan återvinnas. Kassera rollatorn och dess förpackning enligt gällande bestämmelser i ditt land. För information, vänligen kontakta dina myndigheter.

## Garanti

TOPRO Pegasus är garanterat fri från fel och defekter i 7 år. Skador som orsakas av felaktig användning eller delar som utsätts för naturligt slitage (t.ex. bromskloss, bromsvajer, hjul, väska, sits, handtag, färg på ram, hål/lokal skada på ram) är undantagna från 7 års garanti. För reparationer under garantiperioden, vänligen kontakta din lokala hjälpmedelscentral eller återförsäljare. Garantin är ogiltig om otillåtna reservdelar eller tillbehör har använts eller används på produkten. Produktens förväntade livslängd uppskattas till 10 år om den används på rätt sätt enligt denna bruksanvisning och dess säkerhets- och underhållsinstruktioner.

## 10 Produktetikett

- 1 - Tillverkare
- 2 - Maximal användarvikt
- 3 - Maximal längd på rollatorn
- 4 - Maximal bredd/höjd på rollatorn
- 5 - Medicinteknisk produkt
- 6 - Se bruksanvisningen (blå ikon på den nya etiketten)
- 7 - Avsedd för inomhus- och utomhusbruk
- 8 - CE-märkning (Denna produkt uppfyller förordningen om medicintekniska produkter (EU) 2017/745)
- 9 - Modellnamn
- 10 - Modellnummer
- 11 - Tillverkningsdatum
- 12 - Serienummer
- 13 - Artikelnummer för global handel (GTIN-kod)
- 14 - GS1 DataMatrix

## Tillbehör

	TOPRO Art. Nr.
Ryggstöd med stoppning, 67 cm	815270
Ryggstöd med stoppning, 75 cm	815272
Bricka	814728
Antihalkmatta för bricka	814059
Käpphållare	815236
Ringlocka	814626
LED-lampa med clip-on och USB-kontakt	815260
Paraply med fäste, svart	814068
Enhandsbroms	814026
Bakre väska med dragkedja	814046
Namnskylt	814024
Transportväska	814042
Dubbdäck, 2 bakhjul	815331

Tillbehör monterade på rollatorn kan påverka stabiliteten, vi rekommenderar därför att du använder dem försiktigt. Tillbehör kan beställas separat så att TOPRO Pegasus kan anpassas efter individuella behov. Kontakta din hjälpmedelscentral, återförsäljare eller TOPRO för en uppdaterad översikt över tillgängliga tillbehör eller besök vår hemsida [topromobility.com](http://topromobility.com).

## Tillykke med dit valg af den nye TOPRO-rollator

Hver TOPRO-rollator er udviklet, designet og fremstillet i Norge. Produktet overholder EU's forordning (EU) 2017/745 for medicinsk udstyrs sikkerhed og ydeevne. Det er desuden testet og godkendt iht. EN ISO 11199-2:2021. Når du har modtaget rollatoren, beder vi dig tjekke, om alt er i orden. Har du spørgsmål, beder vi dig kontakte din mobilitetsbutik eller forhandler. Har du problemer med at læse denne brugervejledning, kan du se den online på [topromobility.com](http://topromobility.com).

### Brugen af produktet

TOPRO Pegasus er beregnet til at yde støtte til brugere med nedsat balanceevne og/eller gangfunktion. Den er beregnet til at blive skubbet, ikke trukket. Det integrerede sæde giver brugeren mulighed for at hvile, hvis det er nødvendigt. Rollatoren er til voksne brugere. Der er begrænsninger mht. brugerens højde og vægt. *Kontraindikationer: Produktet er ikke egnet til personer med dårlig styrke i armene, med meget dårlig balance eller med betydelige kognitive handicap. Produktet er designet og godkendt til inden- og udendørs brug. Udendørs rollator er beregnet til at være en hjælp til at gå på veje og stier. Det er ikke egnet i ujævnt og/eller stejlt terræn eller til brug på trapper.*

For at lære rollatoren bedre at kende og bruge den korrekt anbefaler vi undervisning og vejledning af en fagperson.

## 0 Tallene i de grå cirkler refererer til den nummererede grafik og til illustrationerne, som du finder inde i omslaget

### 1 Lær dit TOPRO-produkt at kende

- |                                    |  |
|------------------------------------|--|
| <b>A</b> Håndtag                   | <b>I</b> Bremskabel                              |
| <b>B</b> Bremseregreb              | <b>J</b> Sæde med rem til foldemekanisme         |
| <b>C</b> Rør til håndtag           | <b>K</b> Låseclips                               |
| <b>D</b> Håndtagsrør / Bærehåndtag | <b>L</b> Låseskrue til højdejustering af håndtag |
| <b>E</b> Sideramme                 | <b>M</b> Indkøbstaske                            |
| <b>F</b> Produktmærke              | <b>N</b> Kantbeskytter                           |
| <b>G</b> Bremsklods                | <b>O</b> Aftagelige baghjul                      |
| <b>H</b> Vippefunktion             |  |

### 2 Sikkerhed

Pas på dine fingre, når du klapper rollatoren sammen, eller folder den ud.

Sæt ikke at sætte fingrene i åbne huller eller mellem faste dele.

Sørg for, at låseskruen til højdejustering for håndtagene er strammet godt til.

Når du holder stille eller parkeret skal du altid aktivere parkeringsbremsene på begge sider (A).

Brug ikke rollatoren på trapper. Vær forsigtig, når du passerer kantsten og lignende.

Kontroller bremsene før brug hver gang, og at rollatoren er låst i udfoldet position.

Kontroller rammerne for skader inden brug.

Brug ikke rollatoren til at transportere meget tunge ting eller personer.

Vær opmærksom på, at nogle dele af rollatoren kan føles varme eller kolde, når de udsættes for ekstreme temperaturer.

Du må ikke ændre produktet, det kan bringe din sikkerhed i fare, og garantien bliver ugyldig.

Før du sidder på sædet (C), skal du sørge for at parkeringsbremsene på begge sider er aktiveret (A).

For at undgå risikoen for at falde må du ikke læne dig eller bøje dig sidelæns eller over mod bagsiden af rollatoren, mens du sidder på den. Rollatoren må ikke vippe for meget sidelæns (D). Af samme grund må poser og lign. aldrig hænges på håndtagene.

For at give den rette støtte og sikkerhed skal du gå lige og sørg for, at rollatoren holdes så tæt på kroppen som muligt (E). Gå mellem baghjulene (F), ikke bag dem (G).

Vær opmærksom på, at rollatoren kører hurtigere end dig, når du går ned ad bakke, hvilket kan føre til fald. Brug kørebremse for at justere hastigheden (B).

Vær forsigtig, hvis du har flagrende bukser eller nederdele på, da de kan blive fanget i hjulene, hvilket kan føre til et fald. Brug robust fodtøj for at undgå skader.

Af sikkerhedsmæssige årsager er det forbudt at sidde på rollatoren under offentlig transport. Opbevar rollatoren sikkert, og sørg for, at parkeringsbremsene på begge sider er aktiveret (A).

Brug ikke rollatoren på glatte eller iskolde overflader.

Hold rollatoren væk fra ild og varme genstande.

Kravl ikke op på rollatoren.



### 3 At folde ud og sammen

**At folde ud:** Åben låseclipsen, der er placeret ved håndtagsrørene (A). Tryk håndtagsrørene ned og ud. Siderammerne glider fra hinanden. Tryk håndtagsrørene ned (B) til du hører et klik. Rollatoren er nu låst i brugsposition.

**At folde sammen:** Træk i stroppe på sædet (C) og tryk siderammerne sammen. Lås clipsen (D) over håndtagsrøret.

**Transport af rollatoren:** Rollatoren må ikke bæres i sædestroppen eller bremsekablerne.

Fold rollatoren sammen som vist på illustrationen (E). Bær rollatoren ved håndtagsrørene (F), når den er sammenfoldet.

### 4 Håndtag

**Højdejustering:** Løsn låseskruen (A) (ca. 2 omgange) af. Juster håndtagsrøret (B) til en passende højde, og bevæg det derefter lidt op og ned (C), indtil du hører et klik. Lås låseskruen (A). Juster begge håndtag til samme højde ved at sammenligne talskalaen på hver side. Den lavest mulige position af styret (hvor markeringerne ikke er synlige) er ikke en brugerhøjde (det er kun til transport). *Det anbefales, at håndtagene er indstillet til samme højde som dine håndled, når dine arme hænger langs kroppen.*

### 5 Bremses

Sørg før hver tur for, at bremseserne virker. Bremsegrebene (A) virker på deres respektive baghjul. Du må ikke køre eller skubbe rollatoren, mens parkeringsbremseserne er *aktiveret!*

**Parkeringsbremses:** Skub begge bremsegreb (A) ned, indtil de låses. Begge baghjul er nu låst. Skub begge bremsegreb opad for at frigøre parkeringsbremseserne.

**Kørebremser:** Træk begge bremsegreb (B) opad for at reducere hastigheden. *Brug ikke kontinuerligt, mens rollatoren er i bevægelse.*

**Justering/kontrol:** Løsn møtrikken (C). Bremsekablet (D) strammes med justeringsskruen (E). Juster bremseklodsen (F), så afstanden til den indvendige tromlebremse er ca. 1 mm, og stram derefter møtrikken (C). Drej hjulet rundt for at kontrollere, at bremseklodsen ikke rører hjulet.

**Vedligeholdelse:** Rengør bremseklodsen (F) og bremseklodseslet (G) regelmæssigt. Styr/stram skruerne (H). Hjulene og bremseklodserne kan udskiftes, hvis de er slidte eller beskadigede.

### 6 Aftagelige baghjul

**Fjernelse:** Løsn bremsehåndtaget. Tryk ned for den røde knap på navet (A), og skub hjulet af akslen (B), mens du stadig trykker knappen ned.

**Fastgørelse:** Løsn bremsehåndtaget. Skub hjulet til akslen (B). Skub hjulet så langt som muligt indad på akslen for at få hjulet til at sidde fast. Du vil høre et «klik», når hjulet er på plads. Hjulet er forsvarligt fastgjort, når akslen er helt synlig midt i navet (C). Træk forsigtigt i hjulet for at kontrollere, at det er forsvarligt fastgjort til akslen. Når det nye hjul er påført rollatoren, skal du sørge for, at bremseserne fungerer korrekt. Juster dem om nødvendigt (*se afsnit Bremses*).

### 7 Sæde

Rollatoren har et sikkert og bekvemt netsæde, hvorigennem du har udsigt til underlaget, mens du går. Det kan nemt tørres med en klud, hvis det er nødvendigt. Parkeringsbremseserne skal være aktiveret, før sædet tages i brug. Skub begge bremsegreb nedad (A), indtil de låser. Begge baghjul er nu låst. Sid med ryggen mod tasken (B).

### 8 Kantbeskytter / Vippefunktion

**Kantbeskytter:** Kantbeskytterne (A), som er foran baghjulene, forhindrer baghjulene i at fange hjørner, dørkarme osv.

**Vippefunktion:** Hvis du vil bruge vippefunktionen, skal du bruge fodens forside og trykke ned på vippepedalen (B), som er ved siden af baghjulet. Dette hjælper dig med at vippe rollatoren over dørtrin og kanter mv. Bemærk: Vær forsigtig, når du krydser dørtrin og lignende.

### 9 Tasken

Tasken er designet til at transportere genstande op til i alt 10 kg.

**Montering:** Aktivér parkeringsbremseserne (A). Placer krogene i hulpositionerne ovenpå på hver side af rammen (B). Drej kroge lidt udad og skub dem forsigtigt ned (C). Du vil høre en «klik» lyd, når krogene er placeret korrekt. Bemærk, at der på bagsiden af indkøbstasken er to velcrostroppe. For en bedre vægtfordeling anbefaler vi at bruge dem ved at fastgøre dem omkring den nederste del af tværstangen.

**Fjernelse:** Aktivér parkeringsbremseserne (A). Hvis det er fastgjort, skal du starte med at løsne velcrostroppe i den nederste del af tværstangen. Tag derefter fat i den nederste del af krogene, drej dem lidt udad og skub dem opad for at løsne dem fra hullerne (D).

### TOPRO ErgoGrip

TOPRO ErgoGrip tilbyder ergonomiske grebs- og støtteflader. Den øverste front af håndtagene giver stabil grebposition, når du kommer op fra en stol eller sofa. Sørg altid for, at parkeringsbremseserne er aktiveret, når du rejser dig fra siddende stilling. ErgoGrip giver også ekstra støtte, mens du står. Brug altid den traditionelle grebposition for nem adgang til kørebremserne, mens du går.

### Transport

Rollatoren bør transporteres i sammenfoldet, låst position (*se afsnit At folde ud og sammen*). Sørg for, at låseklemmen er fastgjort, så rollatoren ikke kan folde sig utilsigtet ud. Vær forsigtig, når du lægger rollatoren ind i et køretøj, og vær opmærksom på at fastgøre den.

### Opbevaring

Rollatoren skal opbevares i opretstående stilling. Hvis den opbevares udendørs, skal den være under et beskyttende cover. Lad ikke rollatoren være uden opsyn. Læg ikke tunge genstande oven på rollatoren under opbevaring.

### Rengøring

Rollatoren kan rengøres med en fugtig ikke-slibende klud. I tilfælde af ophobning af mudder og snavs kan en klud med et mildt vaskemiddel anvendes efterfulgt af skylning med lunkent vand. Brug ikke højtryksrensere og undgå at skylle direkte mod kuglelejer (i hjul og forgaffer). Brug ikke slibemidler eller dampvask. Kurven skal tages af, inden rollatoren rengøres. Kurven kan tages af og vaskes skånsomt ved maks. 40 °C. Centrifuger ikke for at undgå beskadigelse af sidepanelerne. Husk at lukke kurven inden vask. Tør rollatoren med en blød ikke-slibende klud.

## Desinfektion

Desinfektion må kun udføres af autoriseret personale. Kontakt din lokale forhandler eller dit mobilitetshjælpecenter. Under desinfektion skal der bæres tilstrækkeligt beskyttelsesudstyr, og desinfektionsmiddelproducentens anvisninger skal følges. Rollatorens overflade skal rengøres med en blød klud eller svamp og et godkendt kemisk desinfektionsmiddel beregnet til brug på akrylmaling. Vi fraråder desinfektionsmiddel, der indeholder klor eller phenol. Brug ikke varmedesinfektion. *Fabrikanten kan ikke holdes ansvarlig for beskadigelser eller skader, der kan opstå ved brug af skadelige desinfektionsmidler eller desinfektion udført af uautoriseret personale.*

## Eftersyn / Vedligeholdelse / Genanvendelse

Vi anbefaler at udføre eftersyn og vedligeholdelse regelmæssigt (hyppigheden bestemmes af, hvordan og hvor ofte rollatoren bruges). Kontroller følgende: Ramme, skruer, håndtag, håndtagenes rør, bremses, bremsedele, hjul, sæde og tilbehør. Det gælder også, når rollatoren skal forberedes til andre brugere. Se detaljerede instruktioner i denne brugervejledning om service på bremses samt rengøring/desinfektion. Den anbefalede vedligeholdelse er ikke et krav, og der kræves ingen forebyggende vedligeholdelse, hvis rollatoren bruges efter hensigten i henhold til denne vejledning.

## Materiale / Genbrug

Rollatoren er lavet af en akrylbelagt carbonramme, aluminiumsrør, plastkoblinger og materiale lavet af plast og polyester. Alle ydre dele er korrosionsbeskyttede. Der er kuglelejer i alle hjul og gafler. De fleste rollatordele kan genbruges. Bortskaf rollatoren og dens emballage, når det bliver nødvendigt, i henhold til de gældende regler i dit land. Kontakt dine offentlige myndigheder for uddybende oplysninger.

## Garanti

TOPRO Pegasus er garanteret fri for fejl og mangler i 7 år. Skader forårsaget af forkert brug eller dele, der udsættes for naturlig slitage (f.eks. bremseklodser og -kabler, hjul, taske, sæde, håndtag, maling på ramme, huller/lokal beskadigelse af rammer) er undtaget fra 7 års garanti. For reparation i garantiperioden skal du kontakte din lokale mobilitetsbutik eller forhandler. Garantien bortfalder, hvis der er anvendt uautoriserede reservedele eller tilbehør til produktet. Produktets forventede levetid anslås til at være 10 år, hvis det anvendes korrekt i henhold til denne brugervejledning samt dens sikkerheds- og vedligeholdelsesinstruktioner.

## 10 Produktmærke

- 1 - Fabrikant
- 2 - Maksimal brugervægt
- 3 - Maksimal længde på rollator
- 4 - Maksimal bredde/højde på rollator
- 5 - Medicinsk udstyr
- 6 - Se brugsanvisningen (blåt ikon på det nye produktmærke)
- 7 - Beregnet til inden- og udendørs brug
- 8 - CE-mærkning (Dette produkt er i overensstemmelse med forordning (EU) 2017/745 om medicinsk udstyr)
- 9 - Modelnavn
- 10 - Modelnummer
- 11 - Fremstillingsdato
- 12 - Serienummer
- 13 - Varenummer til global handel
- 14 - GS1 DataMatrix

## Tilbehør

	TOPRO Item No.
Rygstøtte med polstring, 67 cm	815270
Rygstøtte med polstring, 75 cm	815272
Bakke	814728
Skridsikker måtte til bakke	814059
Stokkeholder	815236
Ringeklokke	814626
LED-lampe med clip-on og USB-stik	815260
Paraply med fastgørelse, sort	814068
Enhåndsbremse	814026
Bagtaske med lynlås	814046
Navneskilt	814024
Transporttaske	814042
Pigdæk, 2 baghjul	815331

Tilbehør monteret på rollatoren kan påvirke stabiliteten. Vi anbefaler derfor at bruge dem med omhu. Tilbehør kan bestilles separat, så rollatoren kan tilpasses individuelle behov. Kontakt din mobilitetsbutik, forhandler eller TOPRO for at få et opdateret overblik over tilgængeligt tilbehør, eller besøg vores hjemmeside [topromobility.com](http://topromobility.com).



## Onnittelut uuden TOPRO-rollaattorin valinnasta

Jokainen TOPRO-rollaattori on kehitetty, suunniteltu ja valmistettu Norjassa. Tuote on ilmoitettu lääkinnällisten laitteiden asetuksen (EU) 2017/745 mukaiseksi. Se on testattu ja hyväksytty standardin EN ISO 11199-2:2021 mukaisesti. Kun olet vastaanottanut tavarat, tarkista tuotteesi. Jos sinulla on kysyttävää, ota välittömästi yhteyttä jälleenmyyjään. Jos sinulla on ongelmia tämän käyttöohjeen lukemisessa, sähköinen versio on saatavana osoitteessa [topromobility.com](http://topromobility.com).

## Käyttötarkoitus

TOPRO Pegasus tukee käyttäjiä, joiden tasapaino ja/tai kävelykyky on heikentynyt. Se on suunniteltu työnnettäväksi, ei vedettäväksi. Integroitu istuin tarjoaa käyttäjälle tarvittaessa mahdollisuuden levätä. Laite on tarkoitettu aikuisten käyttöön. Pituus- ja painorajoitukset ovat voimassa. *Vasta-aiheet: Tuote ei sovellu henkilöille, joilla on heikkoutta käsivarsissa, erittäin huono tasapaino tai huomattava kognitiivinen toimintarajoite. Tuote on suunniteltu ja hyväksytty sekä sisä- että ulkokäyttöön. Ulkona rollaattorin on tarkoitus olla apuna teillä ja poluilla kävellessä. Se ei sovellu vaikeaan ja/ tai jyrkkään maastoon eikä käytettäväksi portaissa.*

Suosittellemme, että ammattilainen opastaa sinulle rollaattorin oikeaoppisen käytön.

## 0 Tämän käyttöohjeen harmaat numeroidut ympyrät viittaavat numeroituun tietokuvaan ja kansin sisällä oleviin kuviin

### 1 TOPRO-tuotteeseen saaminen

- |                                    |   |
|------------------------------------|---|
| <b>A</b> Kahva                     | <b>I</b> Jarruvaijeri                                   |
| <b>B</b> Jarrukahva                | <b>J</b> Istuin, jossa on hihna taittomekanismia varten |
| <b>C</b> Kahvaputki                | <b>K</b> Lukituspuristin                                |
| <b>D</b> Istuintangot / Kantokahva | <b>L</b> Kahvan lukitusruuvi                            |
| <b>E</b> Sivurunko                 | <b>M</b> Ostoslaukku                                    |
| <b>F</b> Tuotteen etiketti         | <b>N</b> Reunasuojus                                    |
| <b>G</b> Jarrupala                 | <b>O</b> Irrotettavat takapyörät                        |
| <b>H</b> Kallistustoiminto         |   |

### 2 Turvallisuus

Ole varovainen rollaattoria kokoon taittaessa tai avatessasi ettet satuta sormiasi.

Varo laittamasta sormiasi avoimiin reikiin tai rollaattorin osien väliin.

Varmista, että kahvojen korkeussäädön lukitusruuvit on lukittu tiukasti.

Varmista paikoillaan tai pysäköitynä ollessa, että molempien puolten seisontajarrut ovat lukitussa asennossa (A).

Älä käytä rollaattoria portaissa. Ole varovainen ylittäessäsi reunakiveyksiä jne.

Tarkista ennen jokaista käyttökertaa jarrut ja että rollaattori lukittuu avattuun asentoon.

Tarkista rungot ennen käyttöä vaurioiden varalta.

Älä käytä rollaattoria raskaiden kuormien tai henkilöiden kuljettamiseen.

Huomaa, että jotkin rollaattorin osat voivat tuntua kuumilta tai kylmiltä, kun ne altistuvat äärimmäisille lämpötiloille.

Älä muuntele tuotetta, koska se voi vaarantaa turvallisuutesi ja takuu raukeaa.

Ennen kuin istut istuimella (C), varmista, että molempien puolten seisontajarrut ovat lukitussa asennossa (A).

Kaatumisvaaran välttämiseksi älä nojaa tai kurkota sivullepäin tai rollaattorin taakse istuma-asennossa. Älä kallista rollaattoria liikaa sivuttaisiin (D) kaatumisvaaran välttämiseksi. Samasta syystä laukkuja tms. ei tule koskaan ripustaa rollaattorin kahvoihin.

Oikean tuen ja turvallisuuden takaamiseksi kävele suoraan ja varmista, että rollaattori on mahdollisimman lähellä kehoasi (E). Kävele takapyörien välissä (F), ei niiden takana (G).

Huomaa, että alamäessä rollaattori voi liikkua nopeammin kuin sinä, mikä voi aiheuttaa kaatumisvaaran. Säädä nopeutta aktivoimalla ajojarrut (B).

Ole varovainen, kun käytät väljiä hameita ja housuja, koska ne voivat tarttua pyöriin, mikä voi johtaa kaatumiseen. Käytä tukevia jalkineita vammojen välttämiseksi.

Turvallisuussyistä rollaattorilla istuminen julkisissa liikennevälineissä on kielletty. Säilytä rollaattori turvallisesti ja varmista, että molempien puolten seisontajarrut ovat aktivoituneet (A).

Älä käytä rollaattoria liukkaila tai jäisillä pinnoilla.

Pidä rollaattori etäällä tules- ta ja kuumista esineistä.

Älä kiipeä rollaattorin päälle.

### 3 Avaaminen / Kokoon taittaminen

**Avaaminen:** Vapauta istuintankoihin sijoitettu lukituspuristin (A). Paina istuintangot alas ja ulos. Sivurungot liukuvat erilleen. Paina istuintankoja alas (B). Kuulet naksahduksen. Rollaattori on nyt lukittu avoimeen asentoon.

**Taitto:** Vedä istuimen hihnaa (C) ja paina sivurunkoja yhteen. Lukitse puristin (D) istuintankojen päälle.

**Rollaattorin** kantaminen:

Rollaattoria ei saa kantaa istuimihihnasta tai jarruvaijereista. Taita rollaattori kokoon kuvan (E) mukaisesti. Kanna rollaattoria istuintangoista (F), kun se on taitettuna.

### 4 Kahvat

**Korkeudensäätö:** Avaa lukitusruuvi (A) (n. 2 kierrosta). Säädä kahvapatket (B) sopivalle korkeudelle ja vedä niitä sitten hieman ylös ja alas (C), kunnes kuulet naksahduksen. Kiristä lukitusruuvi (A) uudelleen. Säädä molemmat kahvat samalle korkeudelle vertaamalla kummankin puolen numeroasteikkoja. Ohjaustangon alin mahdollinen asento (jossa merkinnät eivät ole näkyvissä) ei ole käyttäjäkorkeus (se on vain kuljetusta varten). *On suositeltavaa, että kahvat asetetaan samalle korkeudelle kuin ranteesi, kun kätesi roikkuvat kehon vieressä.*

### 5 Jarrut

Varmista ennen jokaista matkaa, että jarrut toimivat. Kumpikin jarrukahva (A) vaiuttaa molempiin takapyöriin. Älä aja tai työnnä rollaattoria seisontajarrujen ollessa käytössä. **Seisontajarrut:** Paina molempia jarrukahvoja alaspäin (A), kunnes ne lukittuvat. Molemmat takapyörät ovat nyt lukossa. Vapauta seisontajarrut puristamalla molempia jarrukahvoja ylöspäin.

**Jarrut:** Vähennä nopeutta vetämällä molempia jarrukahvoja ylöspäin (B). *Älä käytä jarruja jatkuvasti rollaattorin ollessa liikkeessä.*

**Säätäminen/tarkistaminen:** Löysää mutteria (C). Kiristä jarruvaijeri (D) säätöruuvilla (E). Säädä jarrupalaa (F) niin, että etäisyys sisempään rumpujarruun on noin 1 mm, ja kiristä sitten mutteri (C). Käännä pyörää ympäri tarkistaaksesi, että jarrupala ei kosketa pyörää.

**Ylläpito:** Puhdista jarrupala (F) ja jarrunkansi (G) säännöllisesti. Tarkista/kiristä ruuvit (H). Pyörät ja jarruosat voidaan vaihtaa, jos ne ovat kuluneet tai vaurioituneet.

### 6 Irrotettavat takapyörät

**Irrottaminen:** Löysää jarruvipua. Paina navan punainen painike alas (A) ja liu'uta pyörä akselilta (B) samalla kun painat painiketta alas.

**Kiinnittäminen:** Löysää jarruvipua. Liu'uta pyörä akselille (B). Työnnä pyörä mahdollisimman pitkälle sisään päin akselilla, jotta pyörä napsahtaa akselille. Kuulet naksahduksen, kun pyörä kiinnittyy lukittuun asentoon. Pyörä on kiinnitetty tukevasti, kun akseli näkyy kokonaan navan keskellä (C). Vedä varovasti pyörää tarkistaaksesi, että se on kiinnitetty tukevasti akseliin. Kun uusi pyörä on kiinnitetty rollaattoriin, varmista, että jarrut toimivat oikein. Säädä ne tarvittaessa uudelleen (*katso kohta Jarrut*).

### 7 Istuin

Rollaattorissa on turvallinen ja kätevä verkkoistuin, jonka läpi näkee maahan kävellessä. Se voidaan tarvittaessa helposti pyyhkiä liinalla. Seisontajarrujen on oltava päällä ennen istuimen käyttöä. Paina molempia jarrukahvoja alaspäin (A), kunnes ne lukittuvat. Molemmat takapyörät ovat nyt lukossa. Istu selkä kohti laukku (B).

### 8 Reunasuojus / Kallistustoiminto

**Reunasuojus:** Takapyörien edessä ovat reunasuojukset (A) estävät takapyöriä tarttumasta kulmiin, ovenkarmeihin jne.

**Kallistustoiminto:** Käytä kallistustoimintoa painamalla jalkaterän etuosalla kallistuspoljinta (B), joka on takapyörän vieressä. Tämä auttaa kallistamaan rollaattoria kynnysten, reunojen yms. yli. Huomaa: Ole varovainen laskeutuessasi reunakiveyksiltä.

### 9 Ostoslaukku

Laukku on suunniteltu enintään 10 kg painavien tavaroiden kuljettamiseen.

**Kiinnittäminen:** Aktivoi seisontajarrut (A). Aseta koukut reikiinsä rungon kummallakin puolella (B). Käännä koukkuja hieman ulospäin ja työnnä ne varovasti alas (C). Kuulet naksahduksen, kun koukut on asetettu oikein. Huomaa, että ostoskassin takapuolella on kaksi tarranauhaa. Jotta paino jakautuu paremmin, suosittelemme käyttämään tarranauhoja kiinnittämällä ne poikkipalkin alaosaan ympärille.

**Irrottaminen:** Aktivoi seisontajarrut (A). Jos tarranauhat on kiinnitetty, aloita löysäämällä ne poikkipalkin alaosassa.

Tartu seuraavaksi koukkujen alaosaan, käännä niitä hieman ulospäin ja työnnä niitä ylöspäin, jotta ne irtoavat rei'istä (D).

### TOPRO ErgoGrip

TOPRO ErgoGrip tarjoaa ergonomiset ote- ja tukipinnat. Kahvojen ylin etuosa tarjoaa tasaisen oteasennon noustessa tuolilta tai sohvalta. Varmista aina, että seisontajarrut on aktivoitu, kun noustaan istuma-asennosta. ErgoGrip tarjoaa lisätukea myös seistessä. Käytä aina perinteistä oteasentoa, jotta ajorruuihin pääsee helposti käsiksi kävellessä.

### Kuljetus

Rollaattori on kuljetettava kokoon taitettuna lukitusasennossa (*katso kohta Avaaminen / Kokoon taittaminen*). Varmista, että lukituspuristin on päällä, jotta rollaattori ei pääse avautumaan tahattomasti. Ole varovainen lastattaessa rollaattoria ajoneuvoon ja kiinnitä huomiota sen kiinnittämiseen.

### Varastointi

Rollaattori on säilytettävä pystyasennossa. Jos sitä säilytetään ulkona, rollaattorin on oltava peitettynä sen suojaamiseksi. Älä jätä rollaattoria valvomatta. Älä aseta painavia esineitä rollaattorin päälle varastoinnin aikana.

### Puhdistaminen

Rollaattori voidaan puhdistaa kostealla ei-hiovalla liinalla. Jos mutaa ja likaa on kertynyt, voidaan käyttää liinaa, johon on lisätty mietoa pesuainetta, ja sen jälkeen huuhdella haalealla vedellä. Älä käytä korkeapainepesureita ja vältä huuhtelua suoraan kuulalakeereita vasten (pyörissä ja etuhaarukoissa). Älä käytä hankausaineita tai höyrypesua. Laukku on irrotettava ennen rollaattorin puhdistamista. Se voidaan irrottaa ja pestä varovasti max. 40 °C:ssa. Älä linkoa kuivaksi, jotta sivupaneelit eivät vaurioidu. Muista sulkea laukku ennen pesua. Kuivaa rollaattori pehmeällä liinalla.

## Desinfiointi

Desinfiointin saa suorittaa vain valtuutettu henkilökunta. Ota yhteyttä paikalliseen jälleenmyyjään tai apuvälinekeskukseen. Desinfiointin aikana on käytettävä riittäviä suojarusteita ja noudatettava desinfiointiaineen valmistajan ohjeita. Rollaattorin pinta on puhdistettava pehmeällä liinalla tai sienellä ja hyväksytyllä kemiallisella desinfiointiaineella, joka on tarkoitettu käytettäväksi akryylimaaaleille. Klooria tai fenolia sisältäviä desinfiointiaineita ei suositella käytettäväksi. Älä käytä lämpödesinfiointia. *Valmistajaa ei voida pitää vastuullisena vahingoista tai vammoista, joita voi aiheutua haitallisella desinfiointiaineella tai valtuuttamattoman henkilökunnan tekemästä desinfioinnista.*

## Tarkastus / Huolto / Uudelleenkäyttö

On suositeltavaa, että tarkastus ja huolto suoritetaan säännöllisesti (tiheys määräytyy rollaattorin käyttötavan ja -tiheyden mukaan). Tarkista seuraavat asiat: runko, ruuvit, kahvat, kahvaputket, jarrut, jarrujen osat, pyörät, istuin ja lisävarusteet. Tämä pätee myös silloin, kun rollaattori valmistellaan uudelleenkäyttöä varten. Katso tämän käyttöohjeen yksityiskohtaiset ohjeet jarrujen huollosta sekä puhdistuksesta/desinfioinnista. Suositeltu huolto ei ole vaatimus, eikä ennaltaehkäisevää huoltoa tarvita edellyttäen, että rollaattoria käytetään tämän käyttöohjeen mukaisesti.

## Materiaali / Kierrätys

Rollaattori muodostuu akryylipinnoitetusta hiilirungosta, alumiiniputkista, muoviliittimistä sekä muovista ja polyesteristä valmistetusta materiaalista. Kaikki ulkoiset osat on suojattu korroosiolta. Kaikissa pyörissä ja haarukoissa on kuulalaakerit. Useimmat rollaattorin osat voidaan kierrättää. Hävitä rollaattori ja sen pakkaus maassasi voimassa olevien määräysten mukaisesti. Lisätietoja saat viranomaisilta.

## Takuu

TOPRO Pegasus on taattu ilman vikoja ja valmistusvirheitä 7 vuoden ajan. Takuu ei kata väärästä käytöstä aiheutuvia vaurioita tai luonnolliselle kulumiselle alttiita osia (esim. jarrupala, jarruvaijeri, pyörä, laukku, istuin, kahva, rungon maali, rungon reiät/paikalliset vauriot). Jos tuotetta pitää korjata takuuajana, ota yhteyttä apuvälineen toimittajaan tai paikalliseen jälleenmyyjään. Takuu raukeaa, jos tuotteessa on käytetty tai käytetään luvattomia varaosia ja lisävarusteita. Tuotteen odotettu käyttöikä on arviolta 10 vuotta edellyttäen, että sitä käytetään oikein tämän käyttöohjeen ja turvallisuus- ja huolto-ohjeiden mukaisesti.

## 10 Tuotekilpi

- 1 - Valmistaja
- 2 - Käyttäjän enimmäispaino
- 3 - Rollaattorin enimmäispituus
- 4 - Rollaattorin enimmäisleveys/-korkeus
- 5 - Lääkinnällinen laite
- 6 - Tutustu käyttöohjeisiin (sininen kuvake uudessa tarrassa)
- 7 - Tarkoitettu sisä- ja ulkokäyttöön
- 8 - CE-merkinnä (Tämä tuote on lääkitäyttöisten laitteiden asetuksen (EU) 2017/745 mukainen.)
- 9 - Mallin nimi
- 10 - Mallin numero
- 11 - Valmistuspäivä
- 12 - Sarjanumero
- 13 - Tuotetunniste (GTIN-koodi)
- 14 - GS1 DataMatrix

## Lisävarusteet

	TOPRO nimikkeen nro
Pehmustettu selkätuki, 67 cm	815270
Pehmustettu selkätuki, 75 cm	815272
Tarjotin	814728
Liukumaton matto lokerolle	814059
Kyynärsauvan pidike	815236
Kello	814626
LED-lamppu klipsillä ja USB-liittimellä	815260
Sateenvarjokiinnikkeineen, musta	814068
Yhden käden jarru	814026
Vetoketjullinen takalaukku	814046
Nimilappu	814024
Kuljetuslaukku	814042
Nastarenkaat, 2 takapyörää	815331

Rollaattoriin asennetut lisävarusteet voivat vaikuttaa sen vakauteen, joten suosittelemme käyttämään niitä varoen. Lisävarusteet ovat tilattavissa erikseen TOPRO Pegasus in räättälöimiseksi yksilöllisiin tarpeisiin. Ota yhteyttä jälleenmyyjään tai TOPRO on, niin saat päivitetyn yleiskatsauksen saatavilla olevista lisävarusteista tai käy osoitteessa [topromobility.com](http://topromobility.com).

## Félicitations pour votre choix d'un nouveau déambulateur TOPRO

Chaque déambulateur TOPRO est développé, conçu et fabriqué en Norvège. Le produit est déclaré conforme au règlement (UE) 2017/745 sur les dispositifs médicaux. Il est testé et approuvé selon la norme EN ISO 11199-2 : 2021. À la réception de la marchandise, veuillez vérifier votre produit. Si vous avez des questions, veuillez contacter immédiatement votre magasin de mobilité ou votre revendeur. Si vous rencontrez des difficultés pour lire ce manuel d'utilisation, une version électronique est disponible sur [topromobility.com](http://topromobility.com).

### Utilisation prévue

Le TOPRO Pegasus doit apporter un soutien aux utilisateurs ayant un équilibre réduit et / ou une capacité de marche réduite. Il est conçu pour être poussé, pas tiré. Le siège intégré offre à l'utilisateur la possibilité de se reposer si nécessaire. L'utilisateur visé est un adulte. Des restrictions de taille et de poids s'appliquent. *Contre-indications : Le produit ne convient pas aux personnes ayant une faible force dans les bras, avec un très mauvais équilibre, ou avec des handicaps cognitifs considérables. Le produit est conçu et approuvé pour une utilisation à l'intérieur et en extérieur. À l'extérieur, le déambulateur est destiné à être une aide pour marcher sur les routes et les chemins. Il ne convient pas aux terrains accidentés et / ou escarpés, ni aux escaliers.*

Pour apprendre à connaître le déambulateur et apprendre à l'utiliser correctement, une formation par un professionnel est recommandée.

## 0 Les cercles numérotés gris de ce manuel d'utilisation font référence au graphique d'information numéroté et aux illustrations à l'intérieur de la couverture

### 1 Apprenez à connaître votre produit TOPRO

<b>A</b>	Poignée	<b>I</b>	Câble de frein
<b>B</b>	Levier de frein	<b>J</b>	Siège avec ruban pour mécanisme de pliage
<b>C</b>	Tube de poignée	<b>K</b>	Bride de sécurité
<b>D</b>	Barres de siège / Poignée de transport	<b>L</b>	Molette de verrouillage pour la poignée
<b>E</b>	Cadre latéral	<b>M</b>	Sac à provisions
<b>F</b>	Étiquette du produit	<b>N</b>	Protecteur de bords
<b>G</b>	Bloc de frein	<b>O</b>	Roues arrière interchangeables
<b>H</b>	Aide au basculement		

### 2 Sécurité

Lors du pliage ou dépliage prenez garde à vos doigts.

Attention à ne pas mettre vos doigts dans des trous ouverts ou entre des pièces fixes.

Assurez-vous que la molette de verrouillage pour le réglage en hauteur des poignées est bien verrouillée.

À l'arrêt ou en stationnement, assurez-vous que les freins de stationnement des deux côtés sont en position verrouillée (A).

N'utilisez pas le déambulateur dans les escaliers. Soyez prudent lorsque vous passez des trottoirs etc.

Vérifiez les freins avant chaque utilisation, et que le déambulateur se verrouille bien en position dépliée.

Vérifiez que les cadres latéraux ne soient pas endommagés avant utilisation.

N'utilisez pas le déambulateur pour transporter des charges lourdes ou des personnes.

Sachez que certaines parties du déambulateur peuvent être chaudes ou froides lorsqu'elles sont exposées à des températures extrêmes.

Ne modifiez pas le produit car cela pourrait mettre votre sécurité en danger et la garantie sera annulée.

Avant de vous asseoir sur le siège (C), assurez-vous que les freins de stationnement des deux côtés sont en position verrouillée (A).

Pour éviter le risque de chute, ne vous

penchez pas latéralement ou vers l'arrière du déambulateur en position assise. N'inclinez pas trop le déambulateur latéralement (D), pour éviter le risque de chute. Pour la même raison, les sacs et autres objets ne doivent jamais être accrochés aux poignées.

Pour apporter un bon soutien en toute sécurité, marchez droit et assurez-vous que le déambulateur est maintenu aussi près de votre corps que possible (E). Marchez entre les roues arrière (F), pas derrière elles (G).

Sachez que le déambulateur peut rouler plus vite que vous ne marchez en descente, ce qui peut vous exposer à un risque de chute. Activez les freins de marche pour régler la vitesse (B).

Soyez prudent lorsque vous portez des jupes ou des pantalons larges, car ils pourraient se prendre dans les roues, ce qui pourrait entraîner une chute. Portez des chaussures robustes pour éviter les blessures.

Pour des raisons de sécurité, il est interdit de s'asseoir sur le déambulateur dans les transports en commun. Rangez votre déambulateur en toute sécurité et assurez-vous que les freins de stationnement des deux côtés sont activés (A).

N'utilisez pas le déambulateur sur des surfaces glissantes ou glacées.

Gardez le déambulateur à l'écart du feu et des objets chauds.

Ne montez pas sur le déambulateur.

### 3 Dépliage / Pliage

**Dépliage :** Ouvrez la bride de sécurité positionnée au niveau des barres de siège (A). Appuyez sur les barres de siège vers le bas et vers l'extérieur. Les cadres latéraux glisseront séparément. Appuyez sur les barres de siège (B). Vous entendrez un clic. Le déambulateur est maintenant verrouillé dans sa position ouverte.

**Pliage :** Tirez le ruban sur le siège (C) et appuyez sur les cadres latéraux. Verrouillez la bride (D) sur les barres de siège.

**Transport du déambulateur :** Le déambulateur ne doit pas être transporté par le ruban du siège ou par les câbles de frein. Pliez le déambulateur comme indiqué sur l'illustration (E). Portez le déambulateur par les barres de siège (F) lorsqu'il est plié.

### 4 Poignées

**Réglage de la hauteur :** Dévissez la molette de verrouillage (A) (env. 2 tours). Ajustez les tubes de poignée (B) à une hauteur appropriée, puis tirez-les légèrement vers le haut et vers le bas (C) jusqu'à ce que vous entendiez un clic. Serrez à nouveau la molette de verrouillage (A). Ajustez les deux poignées à la même hauteur en comparant l'échelle numérique de chaque côté. La position la plus basse possible du tube de poignée (où les marquages ne sont pas visibles) n'est pas une hauteur d'utilisateur (uniquement pour le transport). *Il est recommandé que les poignées soient réglées à la même hauteur que vos poignets lorsque vos bras sont suspendus à côté de votre corps.*

### 5 Freins

Assurez-vous que les freins fonctionnent avant chaque utilisation. Chaque levier de frein (A) actionne la roue arrière du même côté. Ne conduisez pas et ne poussez pas le déambulateur pendant que les freins de stationnement sont activés !

**Freins de stationnement :** Poussez les deux leviers de frein vers le bas (A) jusqu'à ce qu'ils se verrouillent. Les deux roues arrière sont maintenant bloquées. Tirez les deux leviers de frein vers le haut pour desserrer les freins de stationnement.

**Freins de marche :** Tirez les deux leviers de frein vers le haut (B) pour réduire la vitesse. *Ne pas utiliser en continu pendant que le déambulateur est en mouvement.*

**Réglage / vérification :** Desserrer l'écrou (C). Serrez le câble de frein (D) avec la vis de réglage (E). Réglez le bloc de frein (F) de sorte que la distance par rapport au frein à tambour intérieur soit d'environ 1 mm, puis serrez l'écrou (C). Tournez la roue pour vérifier que le bloc de frein ne touche pas la roue.

**Entretien :** Nettoyez régulièrement le bloc de frein (F) et le capot de frein (G). Contrôlez/serrez les vis (H). Les roues et les pièces de frein peuvent être remplacées si elles sont usées ou endommagées.

### 6 Roues arrière interchangeables

**Dépose :** Desserrez le levier de frein. Appuyez sur le bouton rouge du moyeu (A) et faites glisser la roue de l'essieu (B) tout en appuyant sur le bouton vers le bas.

**Fixation :** Desserrez le levier de frein. Faites glisser la roue sur l'essieu (B) tout en maintenant le bouton rouge (A) enfoncé. Poussez la roue aussi loin que possible vers l'intérieur de l'essieu pour que la roue s'enclenche sur l'essieu. Vous entendrez un « clic » lorsque la roue est en place. La roue est solidement fixée lorsque l'essieu est complètement visible au milieu du moyeu (C). Tirez doucement sur la roue pour vérifier qu'elle est solidement fixée à l'essieu. Une fois la nouvelle roue appliquée au déambulateur, assurez-vous que les freins fonctionnent correctement. Réajustez-les si nécessaire (voir la section Freins).

### 7 Siège

Le déambulateur dispose d'un siège en maillage sûr et pratique, à travers lequel vous avez une vue sur le sol tout en marchant. Il peut facilement être essuyé avec un chiffon si nécessaire. Les freins de stationnement doivent être verrouillés avant d'utiliser le siège. Poussez les deux poignées de frein vers le bas (A) jusqu'à ce qu'elles se verrouillent. Les deux roues arrière sont maintenant bloquées. Asseyez-vous le dos vers le sac à provisions (B).

### 8 Protecteur de bord / Aide au basculement

**Protecteur de bord :** Les protecteurs de bord (A), qui sont à l'avant des roues arrière empêchent les roues arrière de s'accrocher dans les coins, les cadres de porte, etc.

**Aide au basculement :** Pour utiliser la fonction d'aide au basculement, utilisez l'avant du pied et appuyez sur la pédale (B), qui se trouve à côté de la roue arrière. Cela permet d'incliner le déambulateur pour franchir les seuils, les bords, etc. Remarque : faites très attention lorsque vous descendez les trottoirs.

### 9 Sac à provisions

Le sac est conçu pour transporter des articles pesant jusqu'à un total de 10 kg.

**Montage :** Activez les freins de stationnement (A). Placez les crochets dans les positions du trou sur le dessus de chaque côté du cadre (B). Tournez légèrement les crochets vers l'extérieur et poussez-les doucement vers le bas (C). Vous entendrez un son de « clic » lorsque les crochets sont positionnés correctement. Veuillez noter qu'à l'arrière du sac à provisions, il y a deux sangles Velcro. Pour une meilleure répartition du poids, nous vous conseillons d'utiliser les sangles Velcro en les attachant autour de la partie inférieure de la barreen croix.

**Retrait :** Activez les freins de stationnement (A). Si utilisé, commencez par ôter les sangles Velcro dans la partie inférieure de la barre en croix. Ensuite, saisissez la partie inférieure des crochets, tournez-les légèrement vers l'extérieur et poussez-les vers le haut pour les détacher des trous (D).

### TOPRO ErgoGrip

TOPRO ErgoGrip offre une prise en main ergonomique et des surfaces de soutien. L'avant supérieur des poignées offre une position de préhension stable lorsque vous vous levez d'une chaise ou d'un canapé. Assurez-vous toujours que les freins de stationnement sont activés lorsque vous vous levez de la position assise. L'ErgoGrip offre également un soutien supplémentaire en position debout. Utilisez toujours la position de préhension traditionnelle pour un accès facile aux freins de conduite pendant la marche.



## Transport

Le déambulateur doit être transporté en position pliée et verrouillée (voir *paragraphe3 Dépliage / Pliage*). Assurez-vous que la bride de sécurité est fermée afin que le déambulateur ne puisse pas se déplier involontairement. Soyez prudent lorsque vous chargez le déambulateur dans un véhicule, en faisant attention à le fixer.

## Stockage

Le déambulateur doit être rangé en position verticale. S'il est stocké à l'extérieur, il doit être mis sous une protection. Ne laissez pas votre déambulateur sans surveillance. Ne mettez pas d'objets lourds sur le déambulateur pendant le stockage.

## Nettoyage

Le déambulateur peut être nettoyé à l'aide d'un chiffon non abrasif humide. En cas d'accumulation de boue et de crasse, un chiffon avec un détergent de lavage doux peut être utilisé suivi d'un rinçage à l'eau tiède. N'utilisez pas de nettoyeurs haute pression et évitez de rincer directement contre les roulements à billes (dans les roues et les fourches avant). N'utilisez pas d'abrasifs ou de lavage à la vapeur. Le sac à provisions doit être ôté avant de nettoyer le déambulateur. Le sac peut être retiré et lavé délicatement à max. 40 °C. Ne pas essorer, pour éviter d'endommager les panneaux latéraux. N'oubliez pas de fermer le sac avant de le laver. Séchez le déambulateur à l'aide d'un chiffon doux non abrasif.

## Désinfection

La désinfection ne doit être effectuée que par du personnel autorisé. Veuillez communiquer avec votre magasin de mobilité ou votre revendeur. Pendant la désinfection, un équipement de protection suffisant doit être porté et les instructions du fabricant du désinfectant doivent être suivies. La surface du déambulateur doit être nettoyée à l'aide d'un chiffon doux ou d'une éponge et d'un désinfectant chimique approuvé destiné à être utilisé sur la peinture acrylique. Nous déconseillons les désinfectants contenant du chlore ou du phénol. N'utilisez pas de désinfection thermique. *Le fabricant ne peut être tenu responsable des dommages ou blessures qui pourraient survenir à l'aide d'un désinfectant nocif ou d'une désinfection effectuée par du personnel non autorisé.*

## Inspection / Entretien / Réutilisation

Il est recommandé d'effectuer régulièrement l'inspection et l'entretien (la fréquence est déterminée par la façon dont le déambulateur est utilisé et à quelle fréquence). Vérifiez les éléments suivants : cadre, vis, poignées, tubes de poignée, freins, pièces de frein, roues, siège et accessoires. Cela s'applique également lorsque le déambulateur doit être préparé pour être réutilisé. Veuillez consulter les instructions détaillées dans ce manuel d'utilisation sur l'entretien des freins et le nettoyage/désinfection. L'entretien recommandé n'est pas une exigence et aucun entretien préventif n'est requis à condition que le déambulateur soit utilisé conformément au présent manuel d'utilisation.

## Matériaux / Recyclage

Le déambulateur est composé d'un cadre en fibres de carbone revêtu d'acrylique, de tubes en aluminium, de raccords en plastique et d'un matériau en plastique et en polyester. Toutes les parties extérieures sont protégées contre la corrosion. Des roulements à billes sont présents dans toutes les roues et fourches. La plupart des pièces de déambulateur peuvent être recyclées. Jetez le déambulateur et son emballage conformément à la réglementation applicable dans votre pays. Pour plus d'informations, veuillez contacter vos autorités publiques.

## Garantie

TOPRO Pegasus est garanti exempt de défauts et de casse pendant 7 ans. Les dommages causés par une mauvaise utilisation ou des pièces exposées à l'usure naturelle (par exemple, bloc de frein, câble de frein, roue, panier, siège, poignée, peinture sur le cadre, trous / dommage local au cadre) sont exemptés de la garantie de 7 ans. Pour les réparations pendant la période de garantie, veuillez contacter votre magasin de mobilité local ou votre revendeur. La garantie est nulle si des pièces de rechange ou des accessoires non autorisés ont été ou sont utilisés sur le produit. La durée de vie prévue du produit est estimée à 10 ans s'il est utilisé correctement conformément à ce manuel d'utilisation et à ses instructions de sécurité et d'entretien.

## 10 Étiquette du produit

- 1 - Fabricant
- 2 - Poids maximal de l'utilisateur
- 3 - Longueur maximale du déambulateur
- 4 - Largeur maximale / hauteur du déambulateur
- 5 - Dispositif médical
- 6 - Consultez le manuel d'utilisation (symbole bleu sur la nouvelle étiquette)
- 7 - Destiné à une utilisation à l'intérieur et en extérieur
- 8 - Marquage CE (Ce produit est conforme au règlement (UE) 2017/745 sur les dispositifs médicaux)
- 9 - Nom du modèle
- 10 - Numéro de modèle
- 11 - Date de fabrication
- 12 - Numéro de série
- 13 - Numéro d'article du commerce international
- 14 - Code GS1



**Accessoires**

	<b>TOPRO Item No.</b>
Ceinture dorsale avec rembourrage, 67 cm	<b>815270</b>
Ceinture dorsale avec rembourrage, 75 cm	<b>815272</b>
Tablette coulissante	<b>814728</b>
Tapis antidérapant pour tablette	<b>814059</b>
Porte-canne	<b>815236</b>
Sonnette	<b>814626</b>
Lampe LED avec clip et prise USB	<b>815260</b>
Parapluie avec fixation, noir	<b>814068</b>
Frein simultané à une main	<b>814026</b>
Sacoche supplémentaire	<b>814046</b>
Plaque d'identification	<b>814024</b>
Sac de transport	<b>814042</b>
Roues Offroad avec picots, paire de roues arrière	<b>815331</b>

Les accessoires montés sur le déambulateur peuvent influencer la stabilité, nous vous conseillons donc de les utiliser avec précaution. Les accessoires peuvent être commandés séparément pour permettre au TOPRO Pegasus d'être personnalisé en fonction des besoins individuels. Contactez votre revendeur spécialisé / votre magasin de fournitures médicales ou TOPRO pour un aperçu actualisé des accessoires disponibles, ou visitez notre page d'accueil [topromobility.com](https://topromobility.com).

## Enhorabuena con su elección de un nuevo rollator TOPRO

Cada rollator TOPRO se desarrolla, diseña y fabrica en Noruega. El producto cumple con el Reglamento de Dispositivos Médicos (UE) 2017/745. Está probado y aprobado según EN ISO 11199-2:2021. Al recibir los productos, verifique su producto. Si tiene alguna pregunta, póngase en contacto con su tienda de movilidad o distribuidor de inmediato. Si tiene problemas para leer este manual de usuario, hay una versión electrónica disponible en [topromobility.com](http://topromobility.com).

### Uso previsto

El TOPRO Pegasus brindará apoyo a los usuarios con equilibrio reducido y / o capacidad para caminar reducida. Está diseñado para ser empujado, no tirado. El asiento integrado ofrece una oportunidad para que el usuario descanse si es necesario. El usuario previsto es un adulto. Se aplican restricciones de altura y peso. *Contraindicaciones: El producto no es adecuado para personas con poca fuerza en brazos, con muy mal equilibrio o con discapacidades cognitivas considerables. El producto está diseñado y aprobado tanto para uso en interiores como en exteriores. En exteriores, el rollator está destinado a ser una ayuda para caminar por caminos y sendas. No es adecuado en terrenos accidentados y/o escarpados, ni para escaleras.*

Para conocer el rollator y aprender a usarlo correctamente, se recomienda la formación por parte de un profesional.

## 0 Los círculos numerados grises en este manual de usuario se refieren al gráfico de información numerada y las ilustraciones dentro de la cubierta.

### 1 Conozca su producto TOPRO

- |  |   |
|--|---|
| <b>A</b> Asa                                   | <b>I</b> Cable de freno                             |
| <b>B</b> Palanca de freno                      | <b>J</b> Asiento con correa para mecanismo plegable |
| <b>C</b> Tubo de mango                         | <b>K</b> Abrazadera de bloqueo                      |
| <b>D</b> Barras de asiento / Asa de transporte | <b>L</b> Rueda de bloqueo para el mango             |
| <b>E</b> Marco lateral                         | <b>M</b> Bolsa de la compra                         |
| <b>F</b> Etiqueta del producto                 | <b>N</b> Protector de borde                         |
| <b>G</b> Bloque de freno                       | <b>O</b> Ruedas traseras desmontables               |
| <b>H</b> Función de inclinación                |   |

### 2 Seguridad

Al doblar y desplegar el rollator, tenga en cuenta para no lastimarse los dedos.

Tenga en cuenta no poner los dedos en agujeros abiertos o entre partes estacionarias.

Asegúrese de que las ruedas de bloqueo para el ajuste de altura de las manijas estén bien bloqueadas.

Cuando esté parado o estacionado, asegúrese de que los frenos de estacionamiento en ambos lados estén activados (A).

No use el rollator en las escaleras. Tenga cuidado al pasar por los bordillos, etc.

Compruebe los frenos antes de usarlos cada vez, y que el rollator se bloquee en posición desplegada.

Revise los marcos en busca de daños antes de su uso.

No utilice el rollator para transportar cargas pesadas o personas.

Tenga en cuenta que algunas partes del rollator pueden sentirse calientes o frías cuando se exponen a temperaturas extremas.

No modifique el producto, ya que esto podría poner en riesgo su seguridad y la garantía se anulará.

Antes de sentarse en el asiento (C), asegúrese de que los frenos de estacionamiento en ambos lados estén activados (A).

Para reducir el riesgo de caídas, no se incline ni se doble hacia los lados o hacia la parte posterior del rollator mientras esté sentado. No incline el rollator demasiado hacia los lados (D), para evitar el riesgo de caídas. Por la misma razón, las bolsas, etc., nunca deben colgarse en las asas.

Para dar el soporte y la seguridad adecuados, camine recto y asegúrese de que el rollator se mantenga lo más cerca posible de su cuerpo (E). Camina entre las ruedas traseras (F), no detrás de ellas (G).

Tenga en cuenta que el rollator puede rodar más rápido que usted al caminar cuesta abajo, lo que puede ponerlo en riesgo de caerse. Active los frenos de conducción para ajustar la velocidad (B).

Tenga cuidado al usar faldas o pantalones anchos, ya que podrían quedar atrapados en las ruedas, lo que podría provocar caídas. Use calzado resistente para evitar lesiones.

Por razones de seguridad está prohibido sentarse en el rollator durante el transporte público. Guarde su rollator de forma segura y asegúrese de que los frenos de estacionamiento en ambos lados estén activados (A).

No utilice el rollator en superficies resbaladizas o heladas.

Mantenga el rollator alejado del fuego y de los artículos calientes.

No se suba al rollator.

### 3 Despliegue / Plegado

**Despliegue:** Suelte la abrazadera de bloqueo colocada en las barras del asiento (A). Presione las barras del asiento hacia abajo y hacia afuera. Los marcos laterales se deslizarán por separado. Presione hacia abajo las barras del asiento (B). Escuchará un sonido de clic. El rollator ahora está bloqueado en su posición abierta.

**Plegable:** Tire de la correa del asiento (C) y presione los marcos laterales juntos. Bloquee la abrazadera (D) sobre las barras del asiento.

**Transporte del rollator:** El rollator no debe ser transportado por la correa del asiento o los cables del freno. Doble el rollator como se muestra en la ilustración (E). Lleve el rodillo por las barras del asiento (F) cuando esté plegado.

### 4 Manijas

**Ajuste de altura:** Desajustar la rueda de bloqueo (A) (aprox. 2 vueltas). Ajuste el tubo del mango (B) a una altura adecuada, luego tire de él ligeramente hacia arriba y hacia abajo (C) hasta que escuche un sonido de clic. Apriete la rueda de bloqueo (A). Ajuste ambos mangos a la misma altura comparando la escala numérica de cada lado. La posición más baja posible del manillar (donde las marcas no son visibles) no es una altura de usuario (es solo para transporte). *Se recomienda que las asas estén ajustadas a la misma altura que las muñecas cuando los brazos cuelgan junto a su cuerpo.*

### 5 Frenos

Asegúrese de que los frenos estén funcionando antes de cada viaje. Cada palanca de freno (A) funciona en cada una de las ruedas traseras. *No conduzca ni empuje el rollator mientras los frenos de estacionamiento estén activados.*

**Frenos de estacionamiento:** Empuje ambas palancas de freno hacia abajo (A) hasta que se bloqueen. Ambas ruedas traseras ahora están bloqueadas. Apriete ambas palancas de freno hacia arriba para liberar los frenos de estacionamiento.

**Frenos de conducción:** Tire de ambas palancas de freno hacia arriba (B) para reducir la velocidad. *No lo use continuamente mientras el rollator esté en movimiento.*

**Ajuste / comprobación:** Afloje la tuerca (C). Apriete el cable del freno (D) con el tornillo de ajuste (E). Ajuste el bloque de freno (F) para que la distancia al freno de tambor interno sea de aproximadamente 1 mm y luego apriete la tuerca (C). Gire

la rueda para comprobar que el bloque de freno no está tocando la rueda.

**Mantenimiento:** Limpie el bloque de freno (F) y la tapa del freno (G) regularmente. Controle/apriete los tornillos (H). Las ruedas y las piezas de freno se pueden reemplazar si están desgastadas o dañadas.

### 6 Ruedas traseras desmontables

**Extracción:** Afloje la palanca de freno. Presione el botón rojo en el cubo (A) y deslice la rueda fuera del eje (B) mientras presiona el botón hacia abajo.

**Fijación:** Afloje la palanca de freno. Deslice la rueda hacia el eje (B). Empuje la rueda lo más lejos posible hacia adentro en el eje para hacer que la rueda se encaje en el eje. Escuchará un "clic" cuando la rueda se asegure en posición bloqueada. La rueda se sujeta de forma segura cuando el eje es completamente visible en el centro del buje (C). Tire suavemente de la rueda para comprobar que está bien sujeta al eje. Después de aplicar la nueva rueda al rollator, asegúrese de que los frenos funcionen correctamente. Reajustarlos si es necesario (*ver sección Frenos*).

### 7 Asiento

El rollator tiene un asiento de malla seguro y conveniente, que proporciona vista al suelo mientras camina. Se puede limpiar fácilmente con un paño si es necesario. Los frenos de estacionamiento deben activarse antes de usar el asiento. Empuje ambas palancas de freno hacia abajo (A) hasta que se bloqueen. Ambas ruedas traseras ahora están bloqueadas. Siéntate de espaldas hacia la bolsa (B).

### 8 Función de protección de bordes / inclinación

**Protector de borde:** Los protectores de borde (A), que están delante de las ruedas traseras, evitan que las ruedas traseras se enganchen en las esquinas, marcos de las puertas, etc.

**Función de inclinación:** Para usar la función de inclinación, use la parte delantera del pie y presione hacia abajo el pedal de inclinación (B), que está al lado de la rueda trasera. Esto ayuda a inclinar el rollator sobre umbrales, bordes, etc. Tenga en cuenta: Tenga cuidado al descender bordillos.

### 9 Bolsa de la compra

La bolsa está diseñada para transportar artículos que pesan hasta un total de 10 kg.

**Montaje:** Activar los frenos de estacionamiento (A). Coloque los ganchos en las posiciones de orificio en la parte superior a cada lado del marco (B). Gire ligeramente los ganchos hacia afuera y empuje suavemente hacia abajo (C). Escuchará un sonido de "clic" cuando los ganchos estén colocados correctamente. Tenga en cuenta que en la parte posterior de la bolsa de compras, hay dos correas Velcro. Para una mejor distribución del peso, aconsejamos utilizar las correas Velcro fijándolas alrededor de la parte inferior de la barra transversal.

**Desmontaje:** Activar los frenos de estacionamiento (A). Si está conectado, comience aflojando las correas Velcro en la parte inferior de la barra transversal. A continuación, agarre la parte inferior de los ganchos, gírelos ligeramente hacia afuera y empuje hacia arriba para separarlos de los orificios (D).

### TOPRO ErgoGrip

TOPRO ErgoGrip ofrece agarre ergonómico y superficies de soporte. La parte delantera superior de las manijas proporciona una posición de agarre constante al levantarse de una silla o sofá. Asegúrese siempre de que los frenos de estacionamiento estén activados al levantarse de la posición sentada. El ErgoGrip también ofrece un soporte adicional mientras está de pie. Utilice siempre la posición de agarre tradicional para facilitar el acceso a los frenos de conducción mientras camina.

### Transporte

El rollator debe transportarse en la posición plegada y bloqueada (*consulte la sección Despliegue / Plegado*). Asegúrese de que la abrazadera de bloqueo esté encendida, de modo que el rollator no pueda desplegarse involuntariamente. Tenga cuidado al cargar el rollator en un vehículo, prestando atención a asegurarlo.

### Almacenamiento

El rollator debe almacenarse en posición vertical. Si se almacena al aire libre, debe estar debajo de una cubierta para protegerlo. No deje el rollator desatendido. No coloque artículos pesados encima del rollator durante el almacenamiento.

## Limpieza

El rollator se puede limpiar con un paño húmedo no abrasivo. En caso de acumulación de barro y suciedad, se puede usar un paño con un detergente de lavado suave seguido de un enjuague con agua tibia. No utilice limpiadores de alta presión y evite enjuagar directamente contra los rodamientos de bolas (en ruedas y horquillas delanteras). No use abrasivos ni lavados a vapor. La bolsa debe separarse antes de limpiar el rollator. La bolsa se puede quitar y lavar suavemente a un máximo de 40 °C. No hilar y secar, para evitar daños en los paneles laterales. Recuerda cerrar la bolsa antes de lavarla. Seque el rollator con un paño suave no abrasivo.

## Desinfección

La desinfección solo debe ser realizada por personal autorizado. Póngase en contacto con su concesionario local o centro de ayuda a la movilidad. Durante la desinfección se debe usar suficiente equipo de protección y se deben seguir las instrucciones del fabricante del desinfectante. La superficie del rollator debe limpiarse con un paño suave o esponja y un desinfectante químico aprobado destinado a su uso en pintura acrílica. Aconsejamos no desinfectar que contenga cloro o fenol. No use desinfección por calor. *El fabricante no se hace responsable de ningún daño o lesión que pueda ocurrir con desinfectante dañino o desinfección llevada a cabo por personal no autorizado.*

## Inspección / Mantenimiento / Reutilización

Se recomienda que la inspección y el mantenimiento se lleven a cabo regularmente

(la frecuencia está determinada por cómo y con qué frecuencia se utiliza el rollator). Compruebe los siguientes elementos: Marco, tornillos, asas, tubos de mango, frenos, piezas de freno, ruedas, asiento y accesorios. Esto también se aplica cuando el rollator debe prepararse para su reutilización. Consulte las instrucciones detalladas en este manual de usuario sobre el mantenimiento de los frenos y la limpieza/desinfección. El mantenimiento recomendado no es un requisito, y no se requiere mantenimiento preventivo siempre que el rollator se utilice según lo previsto de acuerdo con este manual del usuario.

## Material / Reciclaje

El rollator está hecho de un marco de carbono recubierto de acrílico, tubos de aluminio, acoplamientos de plástico y material hecho de plástico y poliéster. Todas las piezas exteriores están protegidas contra la corrosión. Hay rodamientos de bolas en todas las ruedas y horquillas. La mayoría de las piezas del rollator se pueden reciclar. Deseche el enrollador y su embalaje de acuerdo con la normativa aplicable en su país. Para obtener información, póngase en contacto con sus autoridades públicas.

## Garantía

TOPRO Pegasus está garantizado libre de fallos y defectos durante 7 años. Los daños causados por un uso incorrecto o las piezas que están expuestas al desgaste natural (por ejemplo, bloque de freno, cable de freno, rueda, bolsa, asiento, mango, pintura en el marco, agujeros / daños locales en los marcos) están exentos de la garantía de 7 años.

Para reparaciones durante el período de garantía, póngase en contacto con su tienda de movilidad o distribuidor local. La garantía es nula si se han utilizado o se están utilizando piezas de repuesto o accesorios no autorizados en el producto. La vida útil esperada del producto se estima en 10 años si se utiliza de la manera correcta de acuerdo con este manual de usuario y sus instrucciones de seguridad y mantenimiento.

## 10 Etiqueta del producto

- 1 - Fabricante
- 2 - Peso máximo del usuario
- 3 - Longitud máxima del rollator
- 4 - Anchura / altura máxima del rollator
- 5 - Dispositivo médico
- 6 - Consulte las instrucciones de uso (icono azul en la nueva etiqueta)
- 7 - Destinado para uso en interiores y exteriores
- 8 - Marcado CE (este producto cumple con el Reglamento de Dispositivos Médicos (UE) 2017/745)
- 9 - Nombre del modelo
- 10 - Número de modelo
- 11 - Fecha de fabricación
- 12 - Número de serie
- 13 - Número de artículo comercial global
- 14 - GS1 DataMatrix

## Accesorios

	TOPRO Artículo No.
Soporte trasero con acolchado, 67 cm	815270
Soporte trasero con acolchado, 75 cm	815272
Bandeja	814728
Alfombra antideslizante para bandeja	814059
Soporte de muleta	815236
Campana	814626
Lámpara LED con clip-on y enchufe USB	815260
Paraguas con sujeción, negro	814068
Freno con una sola mano	814026
Bolsa trasera con cremallera	814046
Etiqueta de nombre	814024
Bolsa de transporte	814042
Neumáticos con clavos, 2 ruedas traseras	815331

Los accesorios montados en el rollator pueden influir en la estabilidad, por lo tanto, le recomendamos que los use con cuidado. Los accesorios se pueden pedir por separado para permitir que TOPRO Pegasus se personalice según las necesidades individuales. Póngase en contacto con su tienda de movilidad, distribuidor o TOPRO para obtener una visión general actualizada de los accesorios disponibles o visite nuestra página de inicio [topromobility.com](http://topromobility.com).





**TOPRO products are developed, designed and manufactured in Norway by:**

## **TOPRO Industri AS**

Rambekkveien 5, NO-2816 Gjøvik, Norway  
(+47) 61 13 46 00  
info@topromobility.com  
www.topromobility.com



### **Subsidiaries**

#### **TOPRO GmbH**

Bahnhofstraße 26 d  
82256 Fürstentfeldbruck  
GERMANY  
Tel: +49 (0) 8141 88 89 39-0  
Fax: +49 (0) 8141 88 89 39-22  
cs@topro.de  
www.topromobility.com

#### **TOPRO GmbH**

Zweigniederlassung Stetten  
Im Stetterfeld 2  
5608 Stetten  
SWITZERLAND  
Tel: +41 (0) 44 940 36 50  
Fax: +41 (0) 44 940 36 51  
mail@topro.ch  
www.topromobility.com

#### **TOPRO Mobility B.V.**

C'park Bata  
Europaplein 1  
Gebouw 21 – unit 2.17  
5684 ZC Best  
THE NETHERLANDS  
Tel: +31 (0) 6 27 288 801  
cs@topromobility.nl  
www.topromobility.com

#### **TOPRO Limited**

Trent Business centre  
Thoroton Rd  
West Bridgford  
Nottingham  
NG2 5FT  
UNITED KINGDOM  
Tel: +44 (0) 115 846 5406  
Fax: +44 (0) 844 739 16 15  
info@topro.co.uk  
www.topromobility.com

#### **TOPRO Mobility AB**

Buskuddsvägen 9  
185 95 Vaxholm  
SWEDEN  
Tel: +46 (0) 8 311 330  
info@topromobility.se  
www.topromobility.com

#### **TOPRO Mobility DK**

Jadevej 11  
8541 Skødstrup  
DENMARK  
Tel +45 (0) 53 763 131  
info@topromobility.dk

Distributor / dealer

Learn more



topromobility.com