

# PARTS CATALOGUE



## MOBILITY SCOOTER

EQ10EB(UK)

K-LITE FE



Release Date : 2022/01/24  
Print Date : 2022/12/29

## ABOUT THIS PARTS LIST

- This parts list is compiled all service parts for model EQ10EB(UK).
- Any difference between color chart and motorcycle will be revised according to motorcycle.
- The Mark:
  1. Marking "\*\*\*" must add color code in the end before ordering parts.
  2. Marking "#" are parts with modification, Please find the details from e-Parts system.
- When modification or additions to this parts list are made a revised edition at an appropriate time.




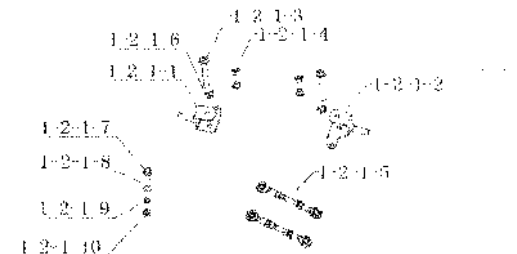
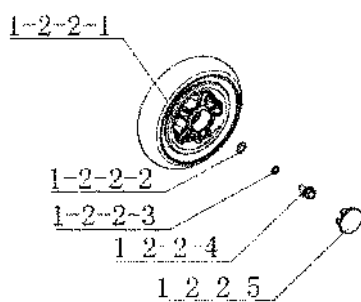
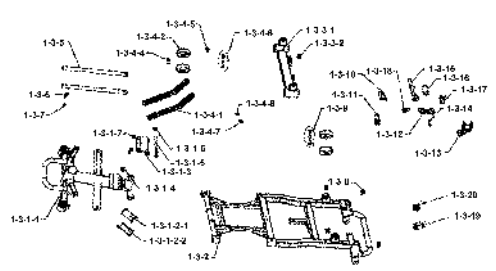
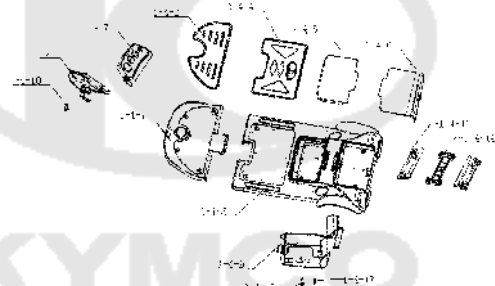

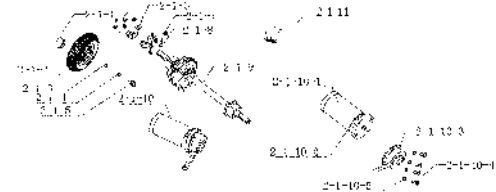
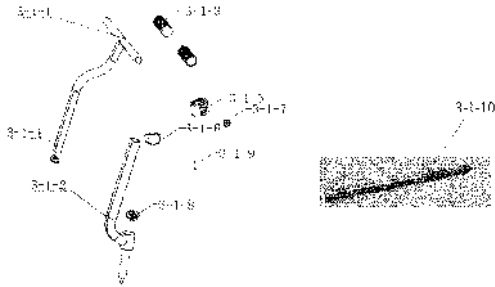
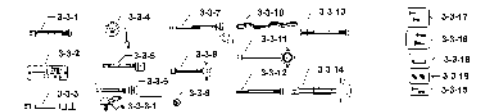
# CONTENTS

● ABOUT THIS PARTS LIST .....	1
● COLOR CHART OF EQ10EB(UK) .....	3
● CONTENTS-ENGINE GROUP .....	5
● CONTENTS-FRAME GROUP .....	5
● ENGINE PARTS LIST .....	7
● FRAME PARTS LIST .....	7
● PART NO. INDEX .....	33

NO	MODEL			COLOR CHART OF EQ10EB(UK)			
	PHOTO NO			NO. 1	NO. 2	NO. 3	NO. 4
	BASIC COLOR			Bright Blue		Brown Crystal	Dark Red
	CODE			Bright Blue		Brown Crystal	Dark Red
	PARTS NAME	PARTS NO.	VERSION	PB107MA	CR168MA	CR168MA	RR157MA
1	HOLDER BATTERY	50323-AKA6-C00	0	BAP	D6P	EKP	
2	COVER FR BATTERY	50326-AKA6-C00	0				
3	COVER RR BATTERY	50327-AKA6-C00	0				
4	COVER HANDLE UP	53205-AKA6-C00	0				
5	FLOOR PANEL	64310-AKA6-C00	0				
6	COVER FR FLOOR	64340-AKA6-C00	0				
7	COVER HANDLE LOW	53206-AKA6-C00	0				
8	ARM REST ASSY R/H	77100-AKA6-C00	0	N1R			
9	ARM REST ASSY L/H	77300-AKA6-C00	0				
10	WHEEL ASSY RR	42600-AKA6-C00	0	N8A			
11	CAP AXLE	44315-AKA6-C00	0				
12	WHEEL ASSY FR	44600-AKA6-C00	0				
13	SEAT ASSY	77200-AKA6-C00	0	T01			
DATE OF STARTING-SALES							
DATE OF END-SALES							

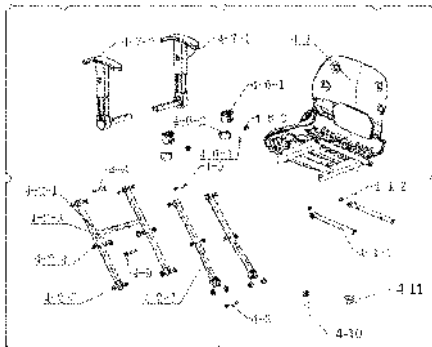
NO	MODEL			COLOR CHART OF EQ10EB(UK)			
	PHOTO NO			NO. 5	NO. 6		
	BASIC COLOR			Black	Bright Silver		
	CODE			Black	Bright Silver		
	PARTS NAME	PARTS NO.	VERSION	NH001SA	NH045MA		
1	HOLDER BATTERY	50323-AKA6-C00	0	N1P	N8P		
2	COVER FR BATTERY	50326-AKA6-C00	0				
3	COVER RR BATTERY	50327-AKA6-C00	0				
4	COVER HANDLE UP	53205-AKA6-C00	0				
5	FLOOR PANEL	64310-AKA6-C00	0				
6	COVER FR FLOOR	64340-AKA6-C00	0				
7	COVER HANDLE LOW	53206-AKA6-C00	0	N1R			
8	ARM REST ASSY R/H	77100-AKA6-C00	0				
9	ARM REST ASSY L/H	77300-AKA6-C00	0				
10	WHEEL ASSY RR	42600-AKA6-C00	0	N8A			
11	CAP AXLE	44315-AKA6-C00	0				
12	WHEEL ASSY FR	44600-AKA6-C00	0				
13	SEAT ASSY	77200-AKA6-C00	0	T01			
DATE OF STARTING-SALES							
DATE OF END-SALES							

## CONTENTS - FRAME GROUP

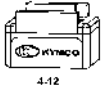
<p><b>F01</b> Stem</p> 	<p><b>F02</b> Front Strg Shaft</p> 	<p><b>F03</b> Front Wheel</p> 
<p><b>F04</b> Frame Body</p> 	<p><b>F05</b> Frame Body Cover</p> 	<p><b>F06</b> Harness Wire &amp; ECU</p> 
<p><b>F07</b> Motor Translax &amp; Rear Wheel</p> 	<p><b>F08</b> Handle Bar</p> 	<p><b>F09</b> Key Set &amp; Switch</p> 

**CONTENTS - FRAME GROUP**

**F10** Seat



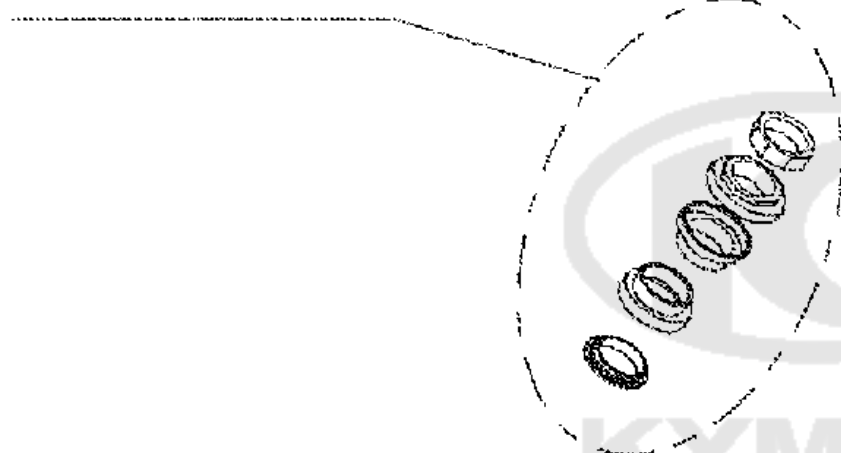
**F11** Oxford Bag



**F12** Emb & Sticker



1-1-1



1-1-2

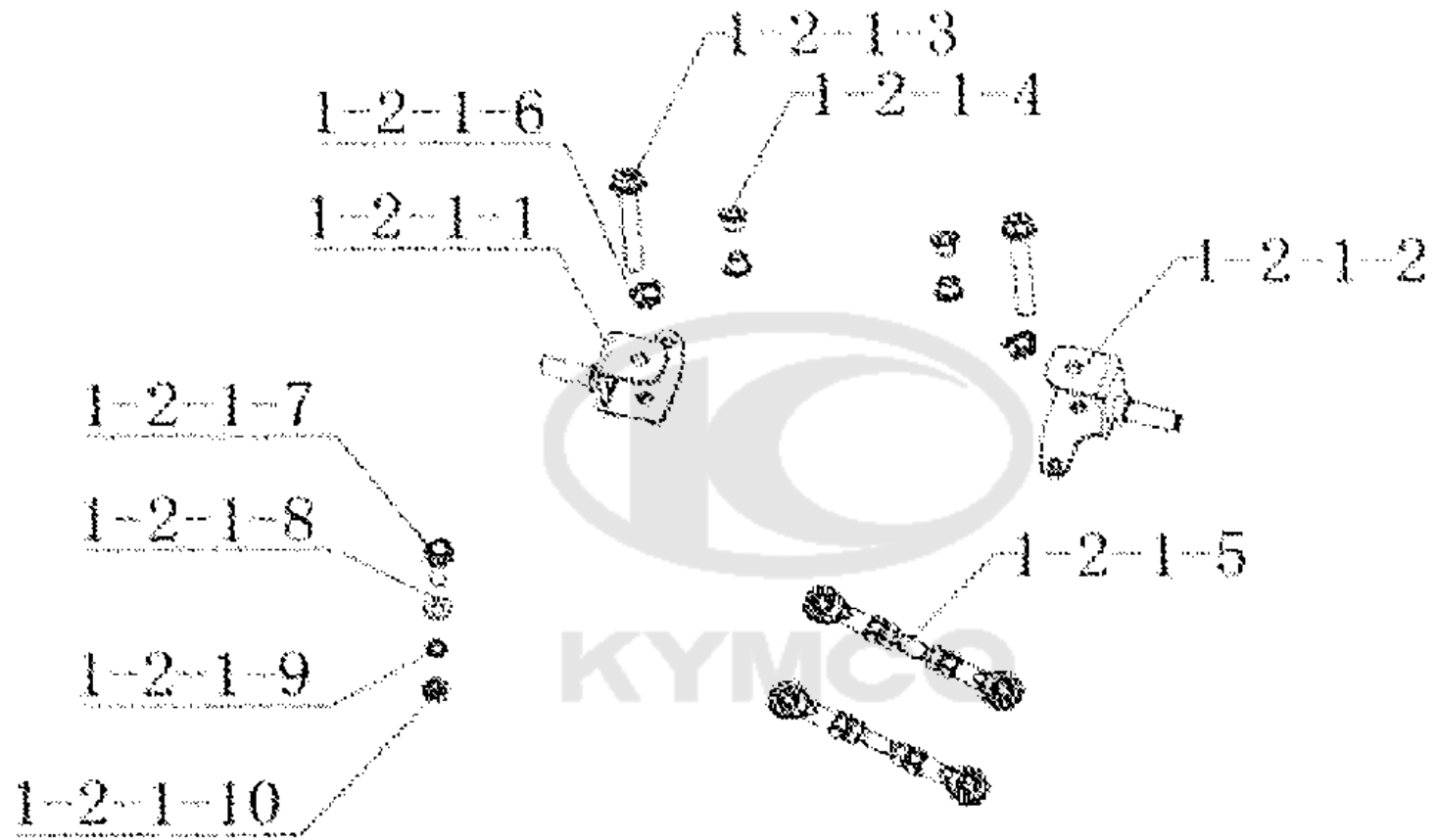




Sales mark	Ref no	Part no	Description	Reg description	Regd no	Ref Price	<b>F01</b>
------------	--------	---------	-------------	-----------------	---------	-----------	------------

1-1-1		5030A-AGF1-E00	RACE ASSY STRG	RACE ASSY STRG	1		
1-1-2		53200-AKA6-C00	STEM COMP STRG	STEM COMP STRG	1		

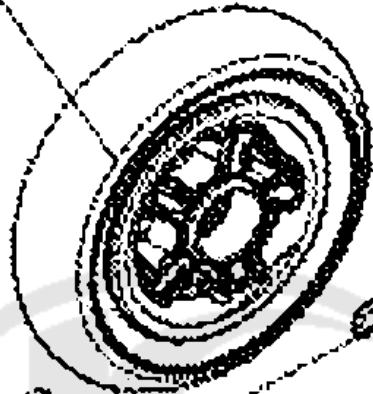




Sales mark	Ref no	Part no	Description	Reg description	Regd no	Ref Price	F02
	1-2-1-1	47401-AKA6-C00	SHAFT COMP R STRG	SHAFT COMP R STRG	1		
	1-2-1-2	47501-AKA6-C00	SHAFT COMP L STRG	SHAFT COMP L STRG	1		
	1-2-1-4	53402-AGF1-C00	WASHER SHAFT	WASHER SHAFT	4		
	1-2-1-5	53700-AKA6-C00	ROD ASSY STRG	ROD ASSY STRG	1		
	1-2-1-10	94001-08060-U007	NUT HEX 8MM (K)	NUT HEX 8MM (K)	4		
	1-2-1-6	94050-10000-U007	NUT FLANGE 10mm(B)	NUT FLANGE 10mm(B)	2		
	1-2-1-8	94101-08800-U007	WASHER PLAIN 8MM	WASHER PLAIN 8MM	4		
	1-2-1-9	94111-08800-U007	WASHER SPG 8MM (B)	WASHER SPG 8MM (B)	4		
	1-2-1-7	95701-08030-U007	BOLT FLANGE 8*30 (K)	BOLT FLANGE 8*30 (K)	4		
	1-2-1-3	95801-10060-U007	BOLT FLANGE 10X60(B)	BOLT FLANGE 10X60(B)	2		



1-2-2-1



1-2-2-2

1-2-2-3

1-2-2-4

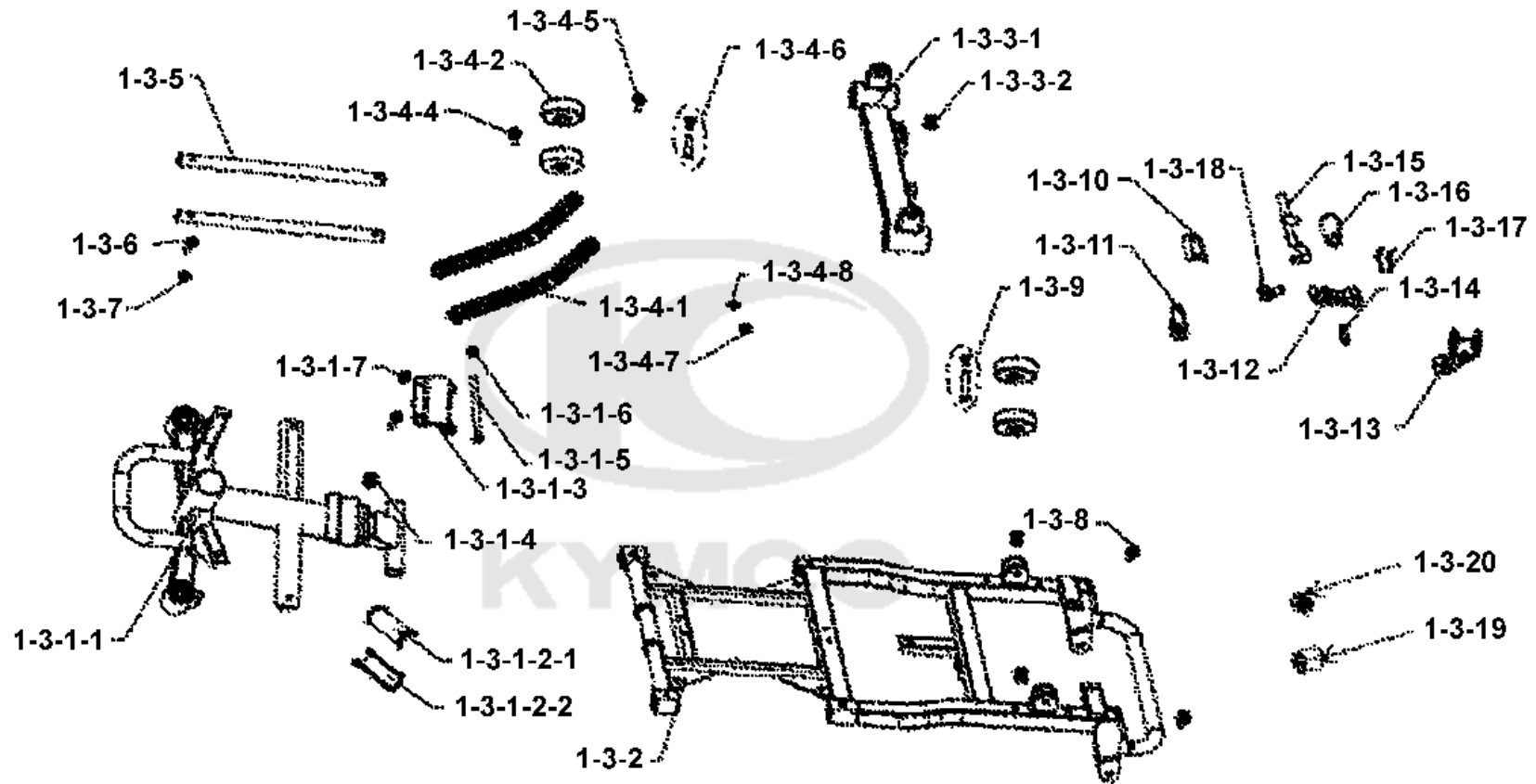
1-2-2-5



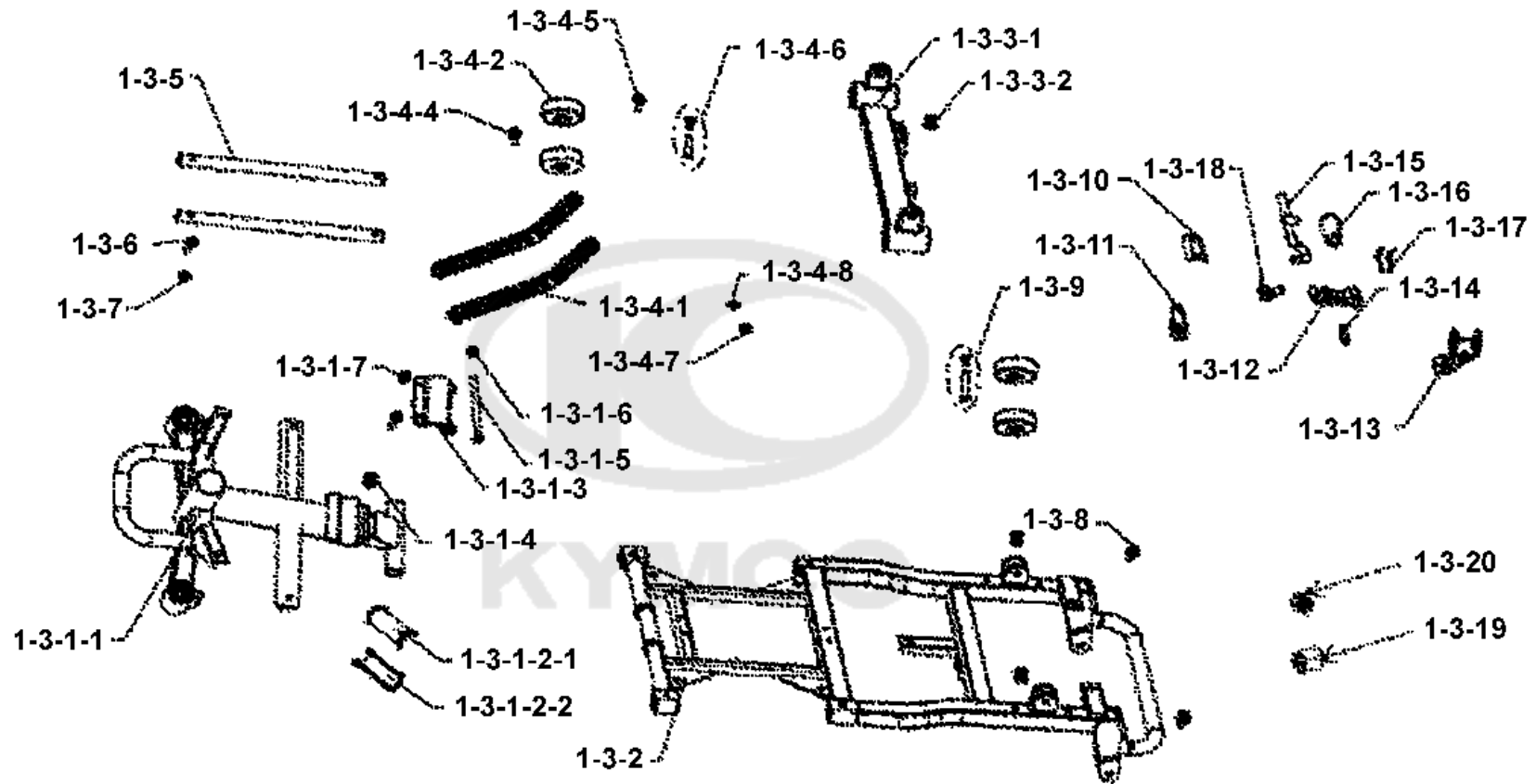
Sales mark	Ref no	Part no	Description	Reg description	Regd no	Ref Price	<b>F03</b>
------------	--------	---------	-------------	-----------------	---------	-----------	------------

**	1-2-2-5	44315-AKA6-C00	CAP AXLE	CAP AXLE	2		
**	1-2-2-1	44600-AKA6-C00	WHEEL ASSY FR	WHEEL ASSY FR	2		
	1-2-2-2	94101-08800-U007	WASHER PLAIN 8MM	WASHER PLAIN 8MM	2		
	1-2-2-3	94111-08800-U007	WASHER SPG 8MM (B)	WASHER SPG 8MM (B)	2		
	1-2-2-4	95701-08016-U007	BOLT FLANGE 8*16(B)	BOLT FLANGE 8*16(B)	2		





Sales mark	Ref no	Part no	Description	Reg description	Regd no	Ref Price	F04
	1-3-4-2	42800-AKA6-C00	AUX WHEEL	AUX WHEEL	4		
	1-3-2	50100-AKA6-C01	BODY COMP FRAME	BODY COMP FRAME	1		
	1-3-1-4	50101-AKA6-C00	COLLAR A	COLLAR A	2		
	1-3-3-2	50102-AKA6-C00	COLLAR B	COLLAR B	1		
	1-3-1-2-1	50105-AKA6-C00	COLLAR UP FR FRAME	COLLAR UP FR FRAME	1		
	1-3-1-2-2	50106-AKA6-C00	COLLAR LOW FR FRAME	COLLAR LOW FR FRAME	1		
	1-3-1-1	50110-AKA6-C00	BODY COMP FR FRAME	BODY COMP FR FRAME	1		
	1-3-1-3	50115-AKA6-C00	PLATE FR FRAME	PLATE FR FRAME	1		
	1-3-4-1	50120-AKA6-C00	LINK A FOLDING	LINK A FOLDING	2		
	1-3-3-1	50130-AKA6-C00	BODY COMP FRAME	BODY COMP FRAME	1		
	1-3-10	50131-AKA6-C01	STAY HOOK	STAY HOOK	1		
	1-3-11	50132-AKA6-C01	HOOK LINK FOLDING	HOOK LINK FOLDING	1		
	1-3-12	50133-AKA6-C01	HOOK FRAME LOCK A	HOOK FRAME LOCK A	1		
	1-3-13	50134-AKA6-C01	HOOK FRAME LOCK B	HOOK FRAME LOCK B	1		
	1-3-5	50150-AKA6-C00	CAP HANDLE	CAP HANDLE	2		
	1-3-4-8	50159-AKA6-C00	WASHER PLASTIC	WASHER PLASTIC	2		
	1-3-20	50611-AKA6-C00	RUBBER A	RUBBER A	2		
	1-3-19	50612-AKA6-C00	RUBBER B	RUBBER B	2		
	1-3-15	50710-AKA6-C01	BAR PILLION STEP	BAR PILLION STEP	1		
	1-3-16	50711-AKA6-C01	RUBBER PILLION STEP	RUBBER PILLION STEP	1		

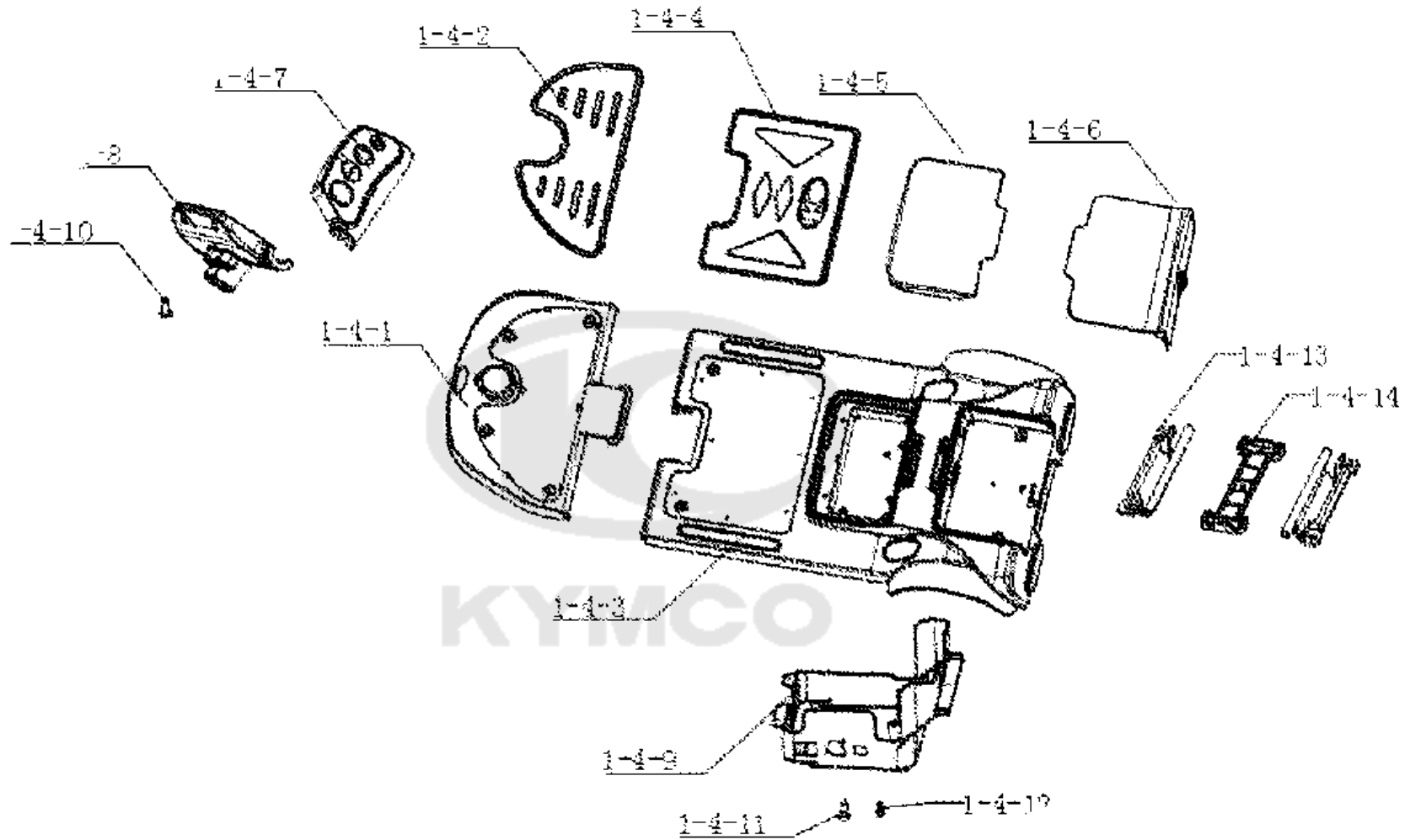




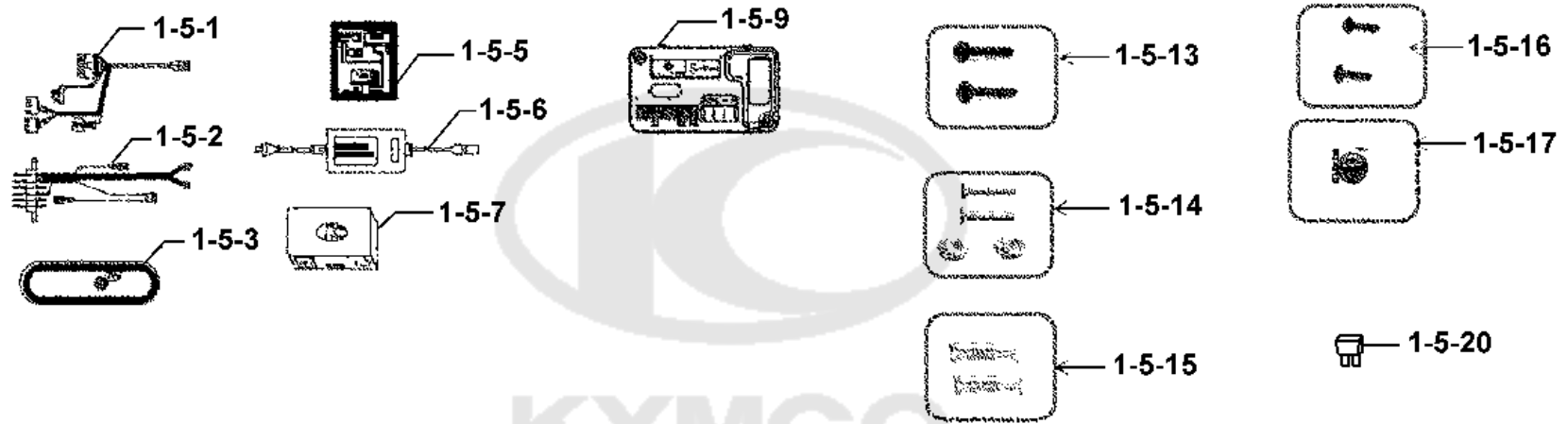
Sales mark	Ref no	Part no	Description	Reg description	Regd no	Ref Price	F04
	1-3-17	50712-AKA6-C01	SPG HOOK	SPG HOOK	1		
	1-3-18	50713-AKA6-C01	SPG PILLION STEP	SPG PILLION STEP	1		
	1-3-14	50714-AKA6-C01	PIN STEP	PIN STEP	1		
	1-3-1-6	90309-08060-U007	NUT U 8MM	NUT U 8MM	1		
	1-3-4-7	94001-08060-U007	NUT HEX 8MM (K)	NUT HEX 8MM (K)	2		
	1-3-7	94050-06060-U007	NUT FLANGE 8MM (B)	NUT FLANGE 8MM (B)	4		
	1-3-1-5	95701-08080-U007	BOLT FLANGE 8*80(B)	BOLT FLANGE 8*80(B)	1		
	1-3-8	95801-06012-U007	BOLT FLANGE 6*12 (B)	BOLT FLANGE 6*12 (B)	10		
	1-3-1-7	95801-06016-U007	BOLT FLANGE 6*16	BOLT FLANGE 6*16	2		
	1-3-6	95801-06035-U007	BOLT FLANGE 6*35 (B)	BOLT FLANGE 6*35 (B)	4		
	1-3-4-4	95801-08030-U007	BOLT FLANGE 8*30 (K)	BOLT FLANGE 8*30 (K)	2		
	1-3-4-5	95801-08045-U007	BOLT FLANGE 8*45 (B)	BOLT FLANGE 8*45 (B)	2		
	1-3-4-6	96001-06016-U007	MUTUAL TO LOCK BOLT 6*16(B)	MUTUAL TO LOCK BOLT 6*16(B)	2		
	1-3-9	96001-08025-U007	MUTUAL TO LOCK BOLT 8*25(B)	MUTUAL TO LOCK BOLT 8*25(B)	2		

F05

# Frame Body Cover



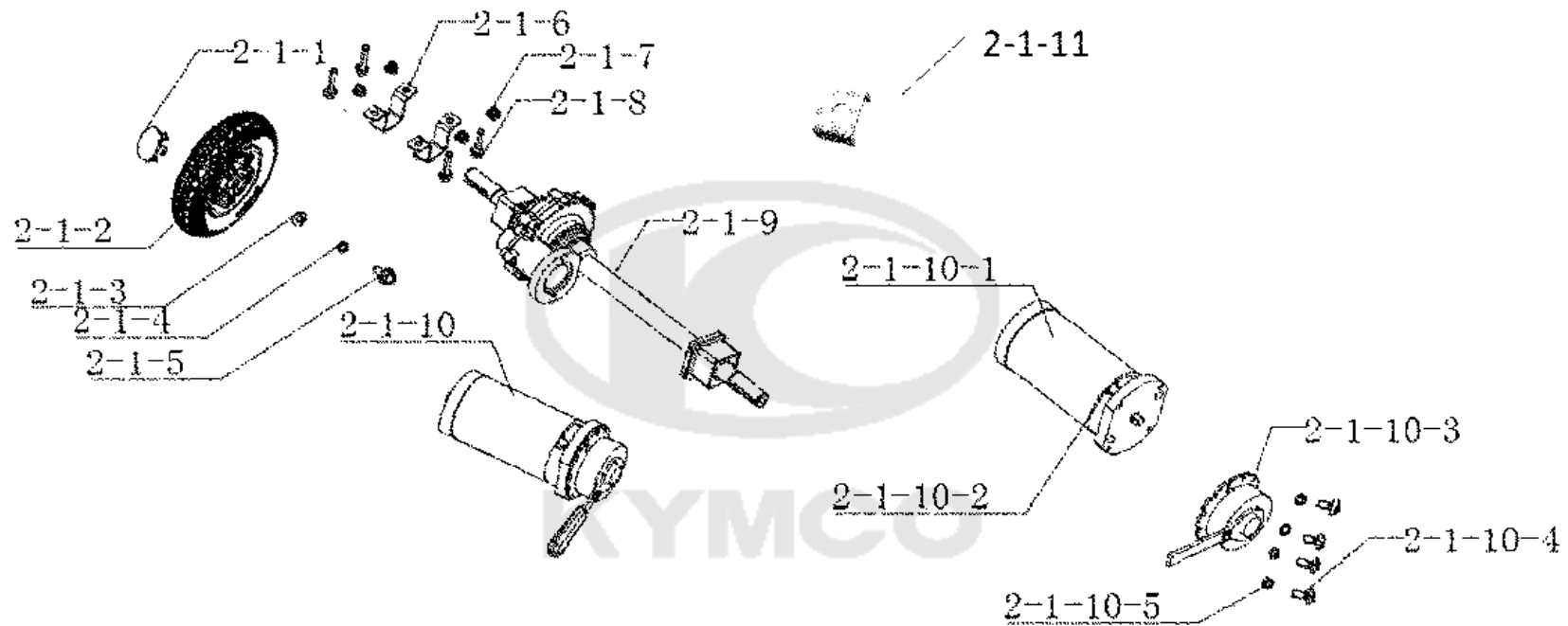
Sales mark	Ref no	Part no	Description	Reg description	Regd no	Ref Price	F05
**	1-4-14	50323-AKA6-C00	HOLDER BATTERY COVER MINK	HOLDER BATTERY COVER MINK	1		
	1-4-13	50324-AKA6-C00	PIVOT BATTERY COVER	PIVOT BATTERY COVER	2		
**	1-4-5	50326-AKA6-C00	COVER FR ECU	COVER FR ECU	1		
**	1-4-6	50327-AKA6-C00	COVER RR BATTERY	COVER RR BATTERY	1		
	1-4-9	50613-AKA6-C00	COVER UNDER	COVER UNDER	1		
**	1-4-7	53205-AKA6-C00	COVER HANDLE UP	COVER HANDLE UP	1		
**	1-4-8	53206-AKA6-C00	COVER HANDLE LOW	COVER HANDLE LOW	1		
**	1-4-3	64310-AKA6-C00	FLOOR PANEL	FLOOR PANEL	1		
	1-4-4	64320-AKA6-C00	MAT FLOOR	MAT FLOOR	1		
	1-4-2	64330-AKA6-C00	MAT FR FLOOR	MAT FR FLOOR	1		
**	1-4-1	64340-AKA6-C00	COVER FR FLOOR	COVER FR FLOOR	1		
	1-4-11	93903-04008-U007	SCREW TAPPING 4*8 (B)	SCREW TAPPING 4*8 (B)	16		
	1-4-12	93903-04014-U007	SCREW TAPPING 4*14 (B)	SCREW TAPPING 4*14 (B)	4		
	1-4-10	93903-14360-U007	SCREW TAPPING 4*12 (K)	SCREW TAPPING 4*12 (K)	7		



Sales mark	Ref no	Part no	Description	Reg description	Regd no	Ref Price	F06
	1-5-7	31500-AKA6-C00	LI BATTERY	LI BATTERY	1		
	1-5-17	31501-AKA6-C00	BUTTON BATTERY(SONY-CR2032)	BUTTON BATTERY(SONY-CR2032)	1		
	1-5-6	31800-AKA6-C00	BATTERY CHARGER(FOR LI	BATTERY CHARGER(FOR LI BATTERY)	1		
	1-5-1	3210A-AKA6-C00	HARNESS WIRE A	HARNESS WIRE A	1		
	1-5-2	3263A-AKA6-C00	CONNECTOR MALE LI BAT	CONNECTOR MALE LI BAT	1		
	1-5-3	33741-AKA6-C00	REFLEX REFLECTOR	REFLEX REFLECTOR	2		
	1-5-9	36000-AKA6-C00	ELEC CONTROLLER UNIT	ELEC CONTROLLER UNIT	1		
	1-5-5	87501-AKA6-C00	LABLE ELECTRIC FUNCTION	LABLE ELECTRIC FUNCTION	1		
	1-5-14	93903-03016-U007	SCREW TAPPING 3*16 (B)	SCREW TAPPING 3*16 (B)	2		
	1-5-13	93903-04025-U007	SCREW TAPPING 4*25 (B)	SCREW TAPPING 4*25 (B)	2		
	1-5-16	93903-14420-U007	SCREW TAPPING 4*16 ?	SCREW TAPPING 4*16 ?	2		
	1-5-15	96001-06025-U007	MUTUAL TO LOCK BOLT 6*25	MUTUAL TO LOCK BOLT 6*25	2		
	1-5-20	98200-AKA6-C00	FUSE 2A	FUSE 2A	1		

F07

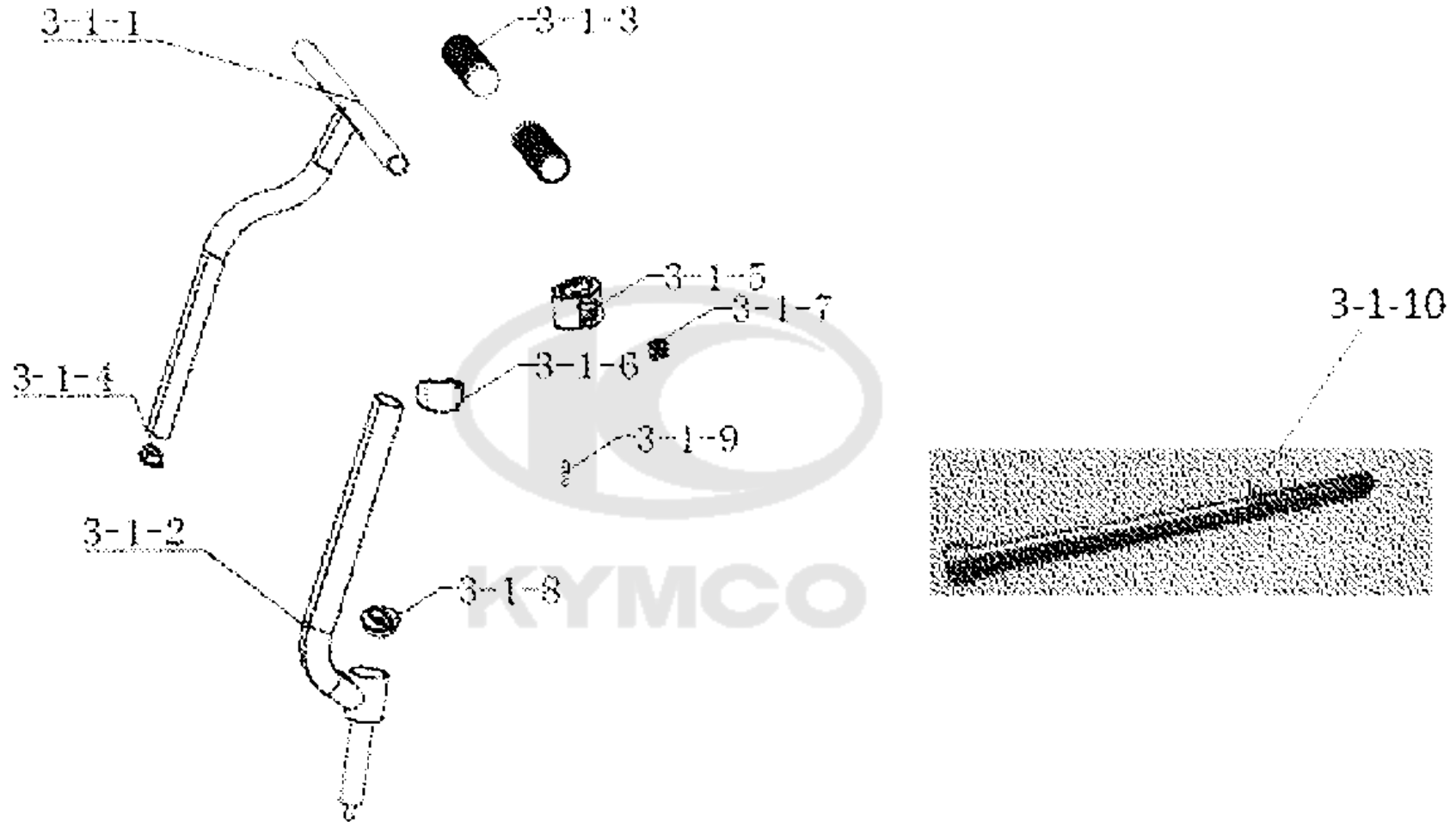
### Motor Translaxe & Rear Wheel



Sales mark	Ref no	Part no	Description	Reg description	Regd no	Ref Price	F07
	2-1-9	1000A-AKA6-C00	MOTOR TRANSLAXE ASSY	MOTOR TRANSLAXE ASSY	1		
	2-1-10-1	31300-AKA6-C00	MOTOR COMP	MOTOR COMP	1		
	2-1-10	3130A-AKA6-C00	MOTOR ASSY	MOTOR ASSY	1		
	2-1-10-3	31350-AKA6-C00	ELEC BRAKE ASSY	ELEC BRAKE ASSY	1		
**	2-1-2	42600-AKA6-C00	WHEEL ASSY RR	WHEEL ASSY RR	2		
**	2-1-1	44315-AKA6-C00	CAP AXLE	CAP AXLE	2		
	2-1-6	50350-AGF1-C00	CONNECTOR MISSION	CONNECTOR MISSION	2		
	2-1-11	50351-AKA6-C00	CONNECTOR LOW MISSION	CONNECTOR LOW MISSION	4		
	2-1-10-4	93903-05010-U007	SCREW TAPPING 5*10 (B)	SCREW TAPPING 5*10 (B)	4		
	2-1-8	94050-08000-U007	NUT FLANGE 8MM(B)	NUT FLANGE 8MM(B)	4		
	2-1-3	94101-08000-U007	WASHER PLAIN 8MM (B)	WASHER PLAIN 8MM (B)	2		
	2-1-10-5	94111-05800-U007	WASHER SPG 5MM (C)	WASHER SPG 5MM (C)	4		
	2-1-4	94111-08000-U007	WASHER SPG 8MM (B)	WASHER SPG 8MM (B)	2		
	2-1-5	95701-08016-U007	BOLT FLANGE 8*16(B)	BOLT FLANGE 8*16(B)	2		
	2-1-7	95701-08040-U007	BOLT FLANGE 8*40(K)	BOLT FLANGE 8*40(K)	4		

F08

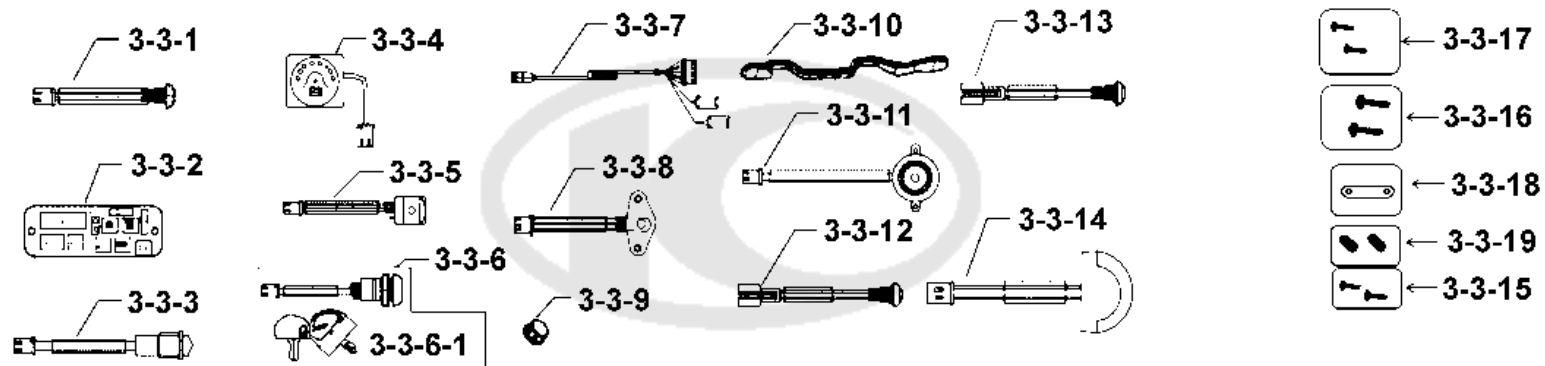
Handle Bar





Sales mark	Ref no	Part no	Description	Reg description	Regd no	Ref Price	F08
**	3-1-8	44315-AKA6-C00	CAP AXLE	CAP AXLE	1		
	3-1-4	50150-AKA6-C00	CAP HANDLE	CAP HANDLE	1		
	3-1-5	50151-AKA6-C00	SOCKET HANDLE	SOCKET HANDLE	1		
	3-1-6	50152-AKA6-C00	BUCKLE HANDLE	BUCKLE HANDLE	1		
	3-1-7	50153-AKA6-C00	LOCK HANDLE	LOCK HANDLE	1		
	3-1-9	50154-AKA6-C00	PIN SOCKET	PIN SOCKET	1		
	3-1-1	53100-AKA6-C00	HANDLE BAR	HANDLE BAR	1		
	3-1-2	53131-AKA6-C00	HOLDER HANDLE PIPE	HOLDER HANDLE PIPE	1		
	3-1-3	53166-AKA6-C00	GRIP HANDLE	GRIP HANDLE	2		
	3-1-10	96700-08150-U007	SOCKET BOLT 8*120 (B)	SOCKET BOLT 8*120 (B)	1		

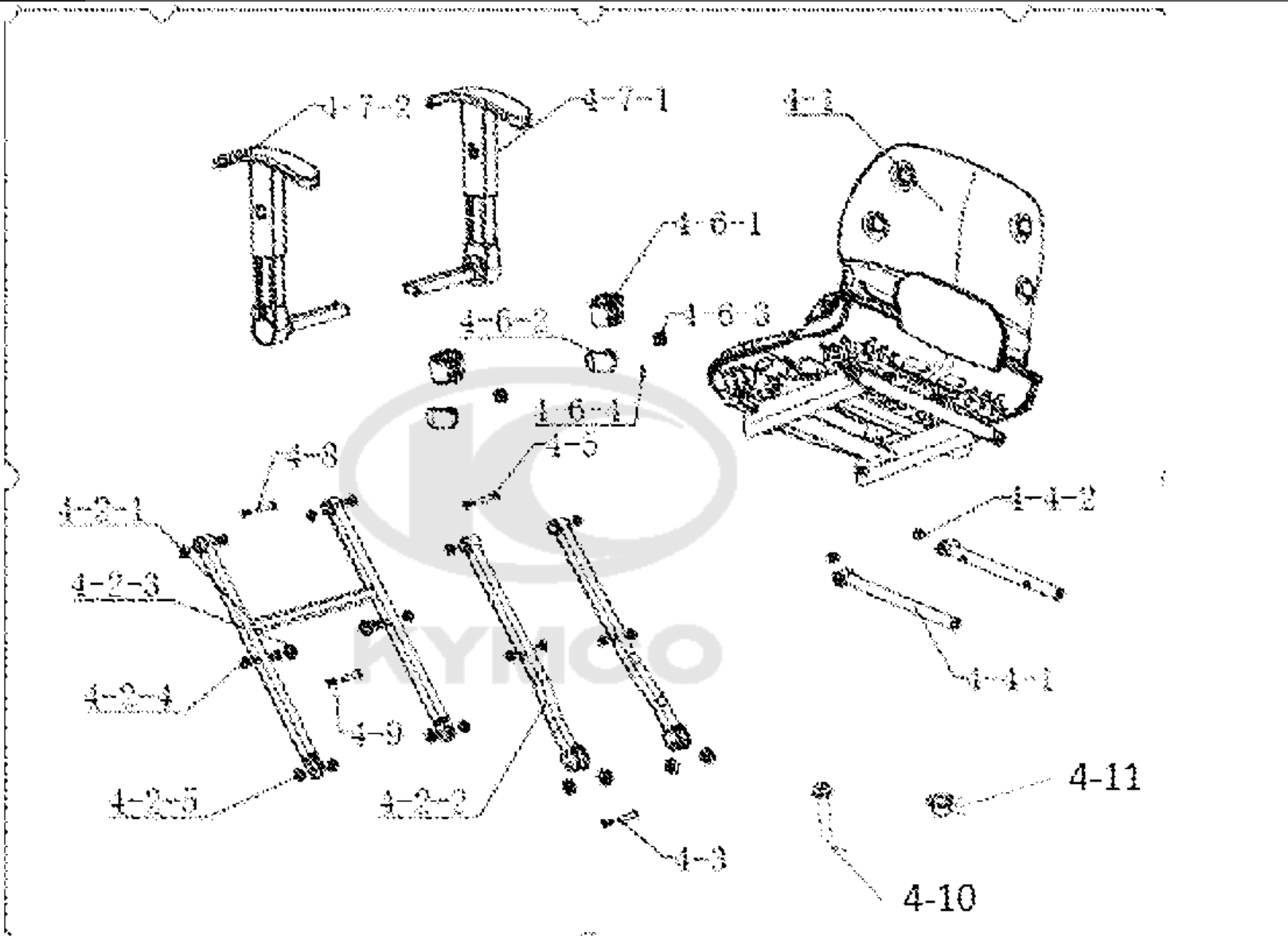




Sales mark	Ref no	Part no	Description	Reg description	Regd no	Ref Price	F09
	3-3-7	3210B-AKA6-C10	HARNES WIRE B	HARNES WIRE B	1		
	3-3-14	33500-AKA6-C00	LIGHT ASSY FR POSITION	LIGHT ASSY FR POSITION	1		
	3-3-6	35010-AKA6-C00	KEY SET	KEY SET	1		
	3-3-9	35110-AKA6-C00	SW UNIT SPEED	SW UNIT SPEED	1		
	3-3-6-1	35111-AKA6-305	KEY COMP	KEY COMP	1		
	3-3-5	35115-AKA6-C00	SPEED CONTROLLER(25K)	SPEED CONTROLLER(25K)	1		
	3-3-12	35151-AKA6-C00	BUTOM EXPANSION	BUTOM EXPANSION	1		
	3-3-13	35152-AKA6-C00	BUTOM FOLDIND	BUTOM FOLDIND	1		
	3-3-1	35180-AKA6-C00	SW UNIT HORN	SW UNIT HORN	1		
	3-3-2	36100-AKA6-C00	CONTROLLER BOARD METER	CONTROLLER BOARD METER	1		
	3-3-8	36101-AKA6-C00	THROTTLE ASSY(5K)	THROTTLE ASSY(5K)	1		
	3-3-10	36109-AKA6-C00	LEVER THROTTLE	LEVER THROTTLE	1		
	3-3-3	36110-AKA6-C00	INDICATOR LED	INDICATOR LED	1		
	3-3-4	37806-AKA6-C00	VU METER	VU METER	1		
	3-3-11	38400-AKA6-C00	BUZZER COMP	BUZZER COMP	1		
	3-3-18	50135-AKA6-C00	PLATE VU METER	PLATE VU METER	1		
	3-3-17	93903-02006-U007	SCREW TAPPING 2*6 (B)	SCREW TAPPING 2*6 (B)	6		
	3-3-15	93903-04008-U007	SCREW TAPPING 4*8 (B)	SCREW TAPPING 4*8 (B)	2		
	3-3-16	93903-14360-U007	SCREW TAPPING 4*12 (K)	SCREW TAPPING 4*12 (K)	2		
	3-3-19	96001-04005-U007	SOCKET BOLT 4X5	SOCKET BOLT 4X5	2		

F10

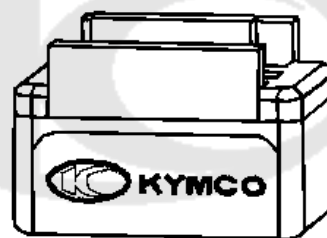
Seat



Sales mark	Ref no	Part no	Description	Reg description	Regd no	Ref Price	F10
	4-6-3	50153-AKA6-C00	LOCK HANDLE	LOCK HANDLE	2		
	4-6-4	50154-AKA6-C00	PIN SOCKET	PIN SOCKET	2		
	4-2-3	50158-AKA6-C00	PLASTIC GASKET	PLASTIC GASKET	8		
	4-2-1	50170-AKA6-C00	SUPPORT ARM REST A	SUPPORT ARM REST A	1		
	4-2-2	50180-AKA6-C00	SUPPORT ARM REST B	SUPPORT ARM REST B	2		
	4-2-4	50191-AKA6-C00	COLLAR 10	COLLAR 10	20		
	4-2-5	50192-AKA6-C00	COLLAR 12	COLLAR 12	8		
	4-4-2	50193-AKA6-C00	COLLAR 182	COLLAR 182	2		
**	4-7-1	77100-AKA6-C00	ARM REST ASSY R/H	ARM REST ASSY R/H	1		
**	4-1	77200-AKA6-C00	SEAT ASSY	SEAT ASSY	1		
	4-6-1	77241-AKA6-C00	LONG SLEEVE ARM REST	LONG SLEEVE ARM REST	2		
	4-6-2	77242-AKA6-C00	BOLT LOCK ARM REST	BOLT LOCK ARM REST	2		
	4-4-1	77252-AKA6-C00	SDLIDE ASSY SEAT	SDLIDE ASSY SEAT	2		
**	4-7-2	77300-AKA6-C00	ARM REST ASSY L/H	ARM REST ASSY L/H	1		
	4-11	94050-08000-U007	NUT FLANGE 8MM(B)	NUT FLANGE 8MM(B)	2		
	4-10	96700-08025-U007	SOCKET BOLT 8*25 (B)	SOCKET BOLT 8*25 (B)	2		
	4-3	96700-08030-U007	SOCKET BOLT 8*30 (B)	SOCKET BOLT 8*30 (B)	2		
	4-9	96700-08036-U007	SOCKET BOLT 8*36 (B)	SOCKET BOLT 8*36 (B)	2		
	4-8	96700-08062-U007	SOCKET BOLT 8*62 (B)	SOCKET BOLT 8*62 (B)	2		
	4-5	96700-08080-U007	SOCKET BOLT 8*80 (B)	SOCKET BOLT 8*80 (B)	2		

F11

Oxford Bag



4-12

Sales mark	Ref no	Part no	Description	Reg description	Regd no	Ref Price	<b>F11</b>
------------	--------	---------	-------------	-----------------	---------	-----------	------------

4-12

77600-AKA6-C00

OXFORD BAG

OXFORD BAG

1





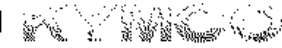
← 5-1



— 5-6



← 5-11



5-15



— 5-2

K-Lite FE

← 5-7

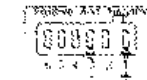


← 5-12

5-16



← 5-3



← 5-13



KYMCO

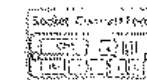
**IMPORTANT NOTICE**

**PLEASE INSPECT BEFORE USING**

Must be used on a paved or smooth surface. Do not use on rough, uneven, or slippery surfaces. Do not use on wet or icy surfaces. Do not use on steep inclines or declines. Do not use on uneven or bumpy terrain. Do not use on rough or uneven terrain. Do not use on rough or uneven terrain.

← 5-8

PLEASE REMEMBER  
IF UNABLE TO INSERT THE KEY  
YOU MUST STOP THE SCOOTER.



← 5-14



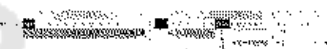
— 5-4



← 5-9



← 5-10



↑ 5-17

**⚠ WARNING**

**PLEASE READ THE OWNERS MANUAL AND CHARGE YOUR BATTERIES FULLY, BEFORE OPERATING YOUR SCOOTER!**

Do not exceed recommended inclines or weight limits.



Sales mark	Ref no	Part no	Description	Reg description	Regd no	Ref Price	<b>F12</b>
5-7		86101-AKA6-C01	STRIPE FR COVER	STRIPE FR COVER	1		
5-6		86102-LCA5-U007	EMB K-LOGO '30MM	EMB K-LOGO '30MM	1		
5-1		86407-AKA6-C00	STRIPE METER	STRIPE METER	1		
5-15		87206-LGE5-U007	EMB MARK KYMCO	EMB MARK KYMCO	1		
5-2		87501-LED5-U007	USE CAUTION	USE CAUTION	1		
5-8		87502-AKA6-C00	STICKER WARNING	STICKER WARNING	1		
5-9		87503-AKA6-C00	FOLDING MARK	FOLDING MARK	1		
5-10		87504-AKA6-C00	UNFOLDING MARK	UNFOLDING MARK	1		
5-11		87505-AKA6-C00	STICKER ASSEMBLY BATTERY	STICKER ASSEMBLY BATTERY	1		
5-12		87506-AKA6-C00	MARK PROTECTION	MARK PROTECTION	1		
5-13		87507-AKA6-C00	SOCKET MARK	SOCKET MARK	1		
5-14		87508-AKA6-C00	SOCKET PROTECTION	SOCKET PROTECTION	1		
5-16		87509-AKA6-C00	CAUTION LABLE	CAUTION LABLE	1		
5-17		87510-AKA6-C00	STICKER UDI	STICKER UDI	1		
5-4		87541-LAE9-U007	CAUTION LOCK	CAUTION LOCK	1		
5-5		87542-AKA6-C00	CAUTION LOCK 10mm	CAUTION LOCK 10mm	1		
5-3		87560-LCA5-U007	MARK DRIVE CAUTION	MARK DRIVE CAUTION	1		

## PART NO. INDEX

PART NO.	VERSION	PAGE	PART NO.	VERSION	PAGE	PART NO.	VERSION	PAGE
<b>10000</b>			<b>35000</b>			<b>42000</b>		
1000A-AKA6-C00	0	F07	35010-AKA6-C00	1	F09	42600-AKA6-C00	0	F07
			35110-AKA6-C00	0	F09	42800-AKA6-C00	0	F04
<b>31000</b>			35111-AKA6-305	0	F09			
			35115-AKA6-C00	2	F09	<b>44000</b>		
31300-AKA6-C00	0	F07	35151-AKA6-C00	0	F09			
3130A-AKA6-C00	0	F07	35152-AKA6-C00	0	F09	44315-AKA6-C00	0	F03
31350-AKA6-C00	0	F07	35180-AKA6-C00	3	F09	44315-AKA6-C00	0	F07
31500-AKA6-C00	0	F06				44315-AKA6-C00	0	F08
31501-AKA6-C00	0	F06	<b>36000</b>			44600-AKA6-C00	0	F03
31800-AKA6-C00	0	F06						
			36000-AKA6-C00	0	F06	<b>47000</b>		
<b>32000</b>			36100-AKA6-C00	0	F09			
			36101-AKA6-C00	0	F09	47401-AKA6-C00	0	F02
3210A-AKA6-C00	0	F06	36109-AKA6-C00	2	F09	47501-AKA6-C00	0	F02
3210B-AKA6-C10	0	F09	36110-AKA6-C00	0	F09			
3263A-AKA6-C00	0	F06				<b>50000</b>		
			<b>37000</b>					
<b>33000</b>						50100-AKA6-C01	0	F04
			37806-AKA6-C00	0	F09	50101-AKA6-C00	0	F04
33500-AKA6-C00	0	F09				50102-AKA6-C00	0	F04
33741-AKA6-C00	0	F06	<b>38000</b>			50105-AKA6-C00	0	F04
						50106-AKA6-C00	0	F04
			38400-AKA6-C00	0	F09	50110-AKA6-C00	0	F04

## PART NO. INDEX

PART NO.	VERSION	PAGE	PART NO.	VERSION	PAGE	PART NO.	VERSION	PAGE
50115-AKA6-C00	0	F04	50326-AKA6-C00	0	F05			
50120-AKA6-C00	0	F04	50327-AKA6-C00	0	F05	<b>64000</b>		
50130-AKA6-C00	0	F04	50350-AGF1-C00	0	F07			
50131-AKA6-C01	0	F04	50351-AKA6-C00	0	F07	64310-AKA6-C00	0	F05
50132-AKA6-C01	0	F04	50611-AKA6-C00	0	F04	64320-AKA6-C00	0	F05
50133-AKA6-C01	0	F04	50612-AKA6-C00	0	F04	64330-AKA6-C00	0	F05
50134-AKA6-C01	0	F04	50613-AKA6-C00	0	F05	64340-AKA6-C00	0	F05
50135-AKA6-C00	0	F09	50710-AKA6-C01	0	F04			
50150-AKA6-C00	0	F04	50711-AKA6-C01	0	F04	<b>77000</b>		
50150-AKA6-C00	0	F08	50712-AKA6-C01	0	F04			
50151-AKA6-C00	0	F08	50713-AKA6-C01	0	F04	77100-AKA6-C00	0	F10
50152-AKA6-C00	0	F08	50714-AKA6-C01	0	F04	77200-AKA6-C00	0	F10
50153-AKA6-C00	0	F08				77241-AKA6-C00	0	F10
50153-AKA6-C00	0	F10	<b>53000</b>			77242-AKA6-C00	0	F10
50154-AKA6-C00	0	F08				77252-AKA6-C00	0	F10
50154-AKA6-C00	0	F10	53100-AKA6-C00	0	F08	77300-AKA6-C00	0	F10
50158-AKA6-C00	0	F10	53131-AKA6-C00	0	F08	77600-AKA6-C00	0	F11
50159-AKA6-C00	0	F04	53166-AKA6-C00	0	F08			
50170-AKA6-C00	0	F10	53200-AKA6-C00	0	F01	<b>86000</b>		
50180-AKA6-C00	0	F10	53205-AKA6-C00	0	F05			
50191-AKA6-C00	0	F10	53206-AKA6-C00	0	F05	86101-AKA6-C01	0	F12
50192-AKA6-C00	0	F10	53402-AGF1-C00	0	F02	86102-LCA5-U007	0	F12
50193-AKA6-C00	0	F10	53700-AKA6-C00	0	F02	86407-AKA6-C00	0	F12
5030A-AGF1-E00	0	F01						
50323-AKA6-C00	0	F05						
50324-AKA6-C00	0	F05						

## PART NO. INDEX

PART NO.	VERSION	PAGE	PART NO.	VERSION	PAGE	PART NO.	VERSION	PAGE
<b>87000</b>			93903-03016-U007	0	F06	<b>95000</b>		
87206-LGE5-U007	0	F12	93903-04008-U007	0	F05	95701-08016-U007	0	F03
87501-AKA6-C00	0	F06	93903-04008-U007	0	F09	95701-08016-U007	0	F07
87501-LED5-U007	0	F12	93903-04014-U007	0	F05	95701-08030-U007	0	F02
87502-AKA6-C00	0	F12	93903-04025-U007	0	F06	95701-08040-U007	0	F07
87503-AKA6-C00	0	F12	93903-05010-U007	0	F07	95701-08080-U007	0	F04
87504-AKA6-C00	0	F12	93903-14360-U007	0	F05	95801-06012-U007	0	F04
87505-AKA6-C00	0	F12	93903-14360-U007	0	F09	95801-06016-U007	0	F04
87506-AKA6-C00	0	F12	93903-14420-U007	0	F06	95801-06035-U007	0	F04
87507-AKA6-C00	0	F12	<b>94000</b>			95801-08030-U007	0	F04
87508-AKA6-C00	0	F12	94001-08060-U007	0	F02	95801-08045-U007	0	F04
87509-AKA6-C00	0	F12	94001-08060-U007	0	F04	95801-10060-U007	0	F02
87510-AKA6-C00	0	F12	94050-06060-U007	0	F04	<b>96000</b>		
87541-LAE9-U007	0	F12	94050-08000-U007	0	F07	96001-04005-U007	0	F09
87542-AKA6-C00	0	F12	94050-08000-U007	0	F10	96001-06016-U007	0	F04
87560-LCA5-U007	0	F12	94050-10000-U007	0	F02	96001-06025-U007	0	F06
<b>90000</b>			94101-08000-U007	0	F07	96001-08025-U007	0	F04
90309-08060-U007	0	F04	94101-08800-U007	0	F02	96700-08025-U007	0	F10
<b>93000</b>			94101-08800-U007	0	F03	96700-08030-U007	0	F10
93903-02006-U007	0	F09	94111-05800-U007	0	F07	96700-08036-U007	0	F10
			94111-08000-U007	0	F07	96700-08062-U007	0	F10
			94111-08800-U007	0	F02	96700-08080-U007	0	F10
			94111-08800-U007	0	F03			

PART NO. INDEX

PART NO.	VERSION	PAGE	PART NO.	VERSION	PAGE	PART NO.	VERSION	PAGE
96700-08150-U007	0	F08						
<b>98000</b>								
98200-AKA6-C00	0	F06						

